

Bourdon Tube Pressure Gauges

Hinged Ring Process Gauge - 316SS Wetted Parts

Type 232.25

WIKA Datasheet 232.25

Applications

- Pressure monitoring panels
- Suitable for corrosive gaseous or liquid media that will not clog the pressure system or attack 316L SS parts.
- Process industry: chemical/petrochemical, power stations, mining, on and offshore, environmental technology, mechanical engineering and plant construction

Special features

- Hinged ring for access to adjustable pointer
- Durable aluminum case and ring
- Positive pressure ranges to 20,000 psi

Standard Features

Design

ASME B40.100

Sizes

4½" & 6" (115 & 147 mm) dial size

Accuracy class

± 0.5% of span (ASME B40.100 Grade 2A)

Ranges

Vacuum / Compound to 200 psi
Pressure from 15 psi to 20,000 psi
or other equivalent units of pressure or vacuum

Working pressure

Steady: full scale value
Fluctuating: 0.9 x full scale value
Short time: 1.3 x full scale value

Operating temperature

Ambient: -40°F to +140°F (-40°C to +60°C)
Medium: +212°F (+100°C) maximum

Temperature error

Additional error when temperature changes from reference temperature of 68°F (20°C) ±0.4% for every 18°F (10°C) rising or falling. Percentage of span.



Bourdon Tube Pressure Gauge Model 232.25

Weather protection

Weather resistant (NEMA 3 / IP54)

Pressure connection

Material: 316L stainless steel
Lower back mount (LBM)
1/4" or 1/2" NPT with M4 internal tap

Bourdon tube

Material: 316L stainless steel
≤ 1,000 psi: C-type
≥ 1,500 psi: helical

Movement

Stainless steel. Internal stop pin at 1.3 x full scale

Dial

White aluminum with black lettering, stop pin at 6 o'clock

Pointer

Black aluminum, adjustable

Case

Black-painted aluminum with 3 threaded mounting bolts.
Solid front, blowout back safety case. 304 stainless steel blowout back plate

Hinged ring

Black-painted steel with knurled clamping screw

Window

Flat instrument glass with silicone rubber gasket

Mounting bolts

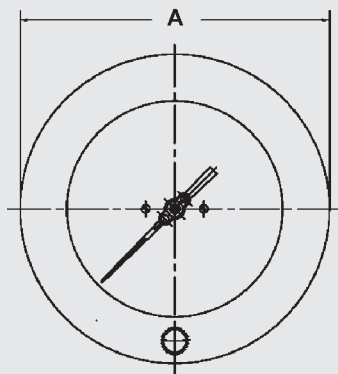
10-24 UNC threads - 4½"

1/4-20 UNC threads - 6"

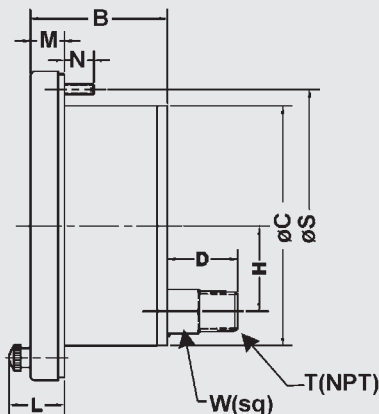
Optional extras

- Threaded restrictor
- Cleaned for oxygen service
- Safety glass window (4½" size only)
- Special process connections
- Custom dial layout

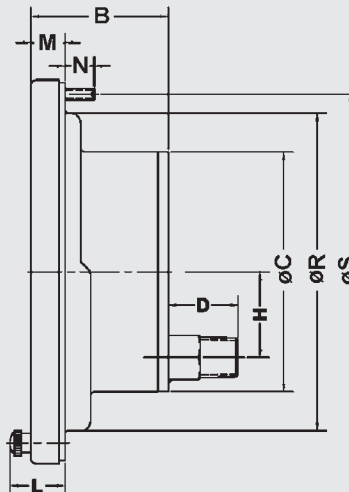
Dimensions



Front view



4½" side view



6" side view

Size		A	B	C	D	H	L	M	N	R	S	T	W	Weight
4.5"	mm	154.7	68.6	120	35	41.4	27.4	17	19	-	137		22	
	in	6.09	2.70	4.73	1.37	1.63	1.08	0.67	0.75	-	5.38	1/4"	0.87	2.5 lb.
6"	mm	192	68.6	120	35	41.4	27.4	17	19	159	178		22	
	in	7.56	2.70	4.73	1.37	1.63	1.08	0.67	0.75	6.26	7.0	1/2"	0.87	3.0 lb.

Recommended panel cutout

4½": dimension C + 1.5 mm

6": dimension T + 1.5 mm

Ordering information

Pressure gauge model / Nominal size / Scale range / Size of connection / Optional extras required
Specifications and dimensions given in this leaflet represent the state of engineering at the time of printing.
Modifications may take place and materials specified may be replaced by others without prior notice.



WIKA Instrument Corporation

1000 Wiegand Boulevard
Lawrenceville, GA 30045
Tel (770) 513-8200 Toll-free 1-888-WIKA-USA
Fax (770) 338-5118
E-Mail info@wika.com
www.wika.com