



Bourdon Tube Pressure Gauges

Stainless Steel Case

Copper Alloy Wetted Parts

Industrial Series Dry Case • Type 212.20

Pressure Gauges

Application

Industrial type gauge design for fluid medium which does not clog connection port or corrode copper alloy.

Example: hydraulic and pneumatic systems, pumps, compressors, water systems, regulators.

Sizes (All ranges not stocked)

6" (160 mm)

Accuracy

± 1.0% of span (ASME B40.1 Grade 1A)

Ranges (All ranges not stocked)

Vacuum / Compound to 30"HG / 0 / 200 PSI

Pressure from 10 PSI to 20,000 PSI

or other equivalent units of pressure or vacuum

Working Range

Steady: Full scale value

Fluctuating: 0.9 x full scale value

Short time: 1.3 x full scale value

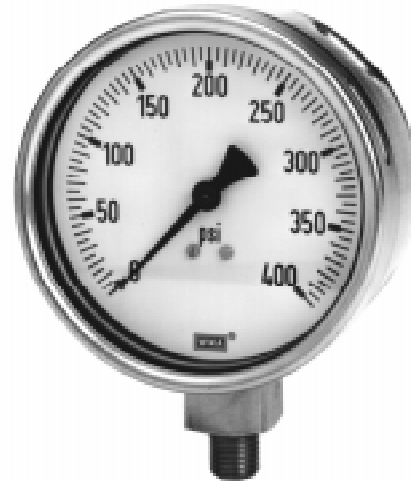
Operating Temperature

Ambient: -40°F to 140°F (-40°C to 60°C) ^{Note 1}

Media: max. 140°F (+60°C) ≤ 1000 PSI

Temperature Error

Additional error when temperature changes from reference temperature of 68°F (20°C) ±0.4% for every 18°F (10°C) rising or falling. Percentage of span.



Standard Features

Connection

Material: copper alloy

Lower mount (LM)

Lower back mount (LBM)

1/4" NPT or 1/2" NPT

Bourdon Tube

Material: copper alloy

10 PSI to 1000 PSI C-type (soldered)

1500 PSI to 20,000 PSI stainless steel helical type (brazed)

Movement

Copper alloy

Dial

White aluminum with stop pin and black lettering

Pointer

Black aluminum

Case

304 stainless steel with stainless steel bayonet ring

Weather Protection

Weather resistant (NEMA 3 / IP 54)

Standard Scale

PSI, PSI/KG/CM²

Window Gasket

Buna-N

Window

Flat window glass

Case Filling

Glycerine (213.20 only)

Order Options (min. order may apply)

Front flange stainless steel polished

Rear flange stainless steel

U-clamp bracket with SS polished profile ring

Brass threaded restrictor

Safety glass window

316 stainless steel

Cleaned for oxygen service

Special connections limited to wrench flat area

Adjustable pointer

Externally adjustable red drag pointer (max. hand)

Externally adjustable red mark pointer (set pointer)

DIN standards

Custom dial layout

Other pressure scales available:

Bar, kPa, MPa, Kg/cm² and dual scales

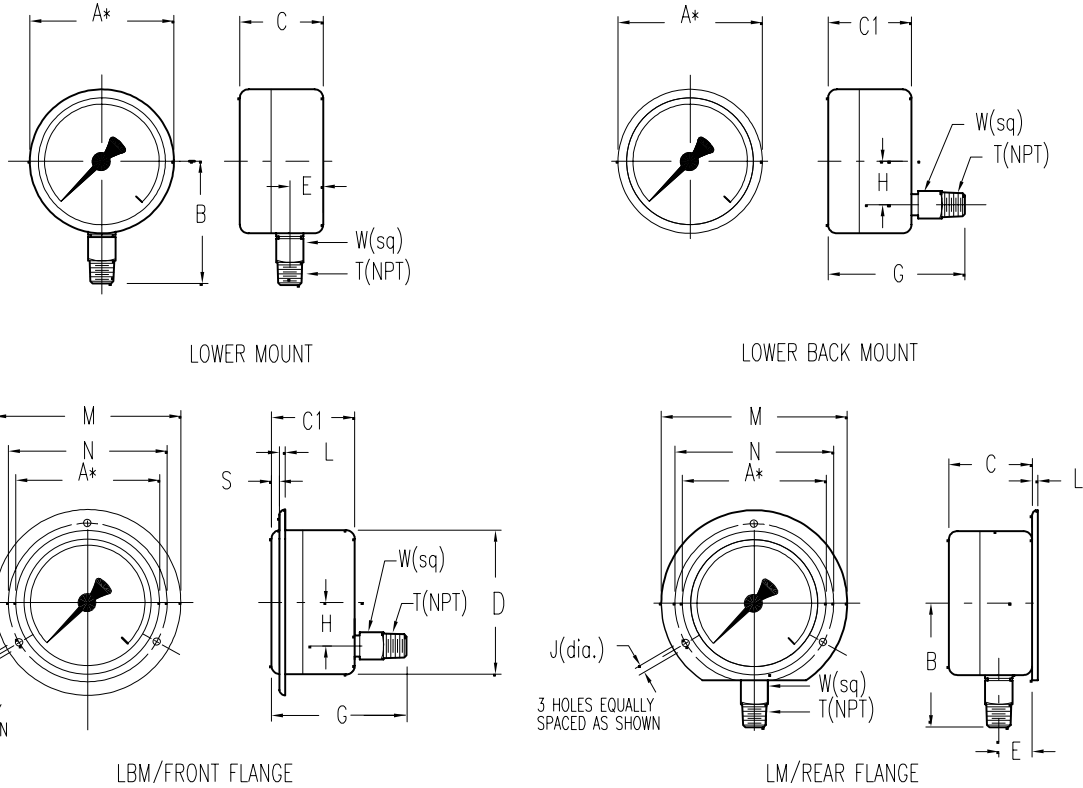
Alarm contact switches magnetic and inductive

Transmitters

APM 212.20

(APM 02.01)

Dimensions:



A* NOMINAL SIZE

TYPE/SIZE	WEIGHT	KEY	A*	B (1)	C (2)	C1	E	G	H	J	L	M	N	S	T	W
212.20 6"	2.42 lbs.	mm	160	116	49.5	49.5	15.5	81	50	5.8	3	196	178	5	1/2"	.86
		in	6.00	4.57	1.95	1.95	0.61	3.19	1.97	0.23	0.12	7.72	7.00	0.2		

(1) For 1/4" NPT connections, B dimension changes to 111mm / 4.37 in. (6")

(2) For LM range 20,000PSI and LBM ranges above 1,000PSI , C dimension changes to 65.5 mm / 2.58"

**THE MEASURE OF
Total Performance™**

Ordering Information:

State computer part number (if available) / type number / size / range / connection size and location / options required.

Specifications given in this price list represent the state of engineering at the time of printing. Modifications may take place and the specified materials may change without prior notice



WIKA Instrument Corporation
 1000 Wiegand Boulevard
 Lawrenceville, Georgia 30043-5868
 Tel: 770-513-8200 Fax: 770-338-5118
<http://www.wika.com> e-mail: info@wika.com