

Bourdon Tube Pressure Gauge Type 113.13 - ABS Case with Liquid Filling Standard Series

WIKA Datasheet 113.13

Applications

- Intended for severe service conditions where pulsation or vibration exist
- Suitable for all gaseous and liquid media that will not obstruct the pressure system or attack copper alloy parts
- Hydraulic systems and compressors

Special features

- Vibration and shock resistant
- Ranges up to 6,000 psi
- Reliable and economical

Standard Features

Design

EN 837-1 & ASME B40.100

Sizes

1½", 2" & 2½" (40, 50 & 63 mm)

Accuracy class

1½": ± 3/2/3% of span (ASME B40.100 Grade B)
2" & 2½": ± 2/1/2% of span (ASME B40.100 Grade A)

Ranges (All ranges not stocked)

Vacuum / Compound to 200 psi
Pressure from 15 psi to 6,000 psi

Working pressure

Steady: 3/4 of full scale value
Fluctuating: 2/3 of full scale value
Short time: full scale value

Operating temperature

Ambient: -4°F to 140°F (-20°C to 60°C)
Media: 140°F (+60°C) maximum

Temperature error

Additional error when temperature changes from reference temperature of 68°F (20°C) ±0.4% for every 18°F (10°C) rising or falling. Percentage of span.

Weather protection

Weather tight (IP 65), NEMA 4X



Bourdon Tube Pressure Gauge Type 113.13

Pressure connection

Material: copper alloy
1/8" or 1/4" NPT
Lower mount (LM) or center back mount (CBM)
(1½" size only available with CBM connection)

Bourdon tube

Material: copper alloy
30 psi to 600 psi C-type
800 psi to 6000 psi helical type

Movement

Copper Alloy

Dial

White ABS with stop pin and black lettering

Pointer

Black ABS

Case

1½": black ABS
2" & 2½": black ABS with integral profile ring
O-ring seal between case and socket
Ranges ≤ 100 psi with internal pressure compensation

Window

Acrylic, ultrasonically welded to case

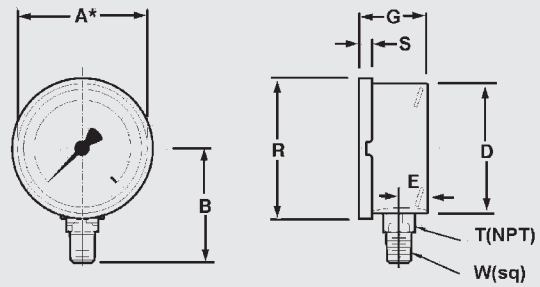
Case fill

Glycerine 99.7%

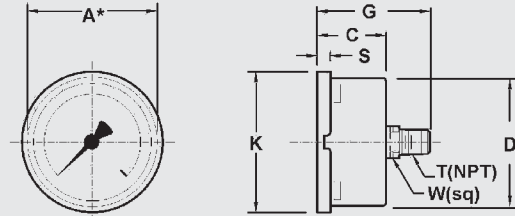
Optional Extras

- Front or rear flange
- U-clamp bracket (CBM only)
- Brass restrictor
- Special threaded connection
- Custom dial layout
- Other pressure scales available:
bar, kPa, MPa, kg/cm² and dual scales

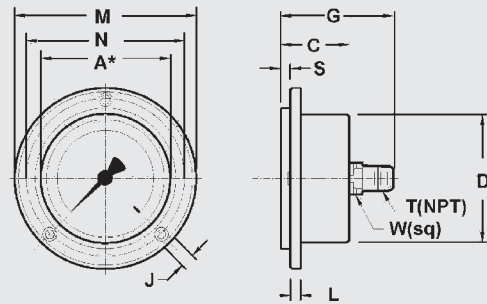
Dimensions



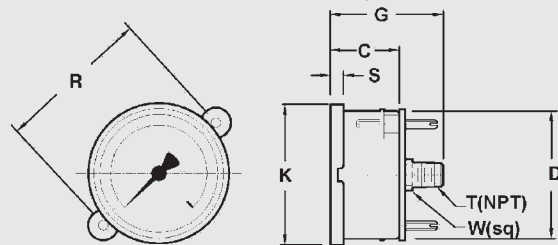
113.13 LM



113.13 CBM



113.13 CBM/FF



113.13 CBM/UC

Size		A	B	C	D	E	G	J	K	L	M	N	R	S	T	W	Weight ¹
1.5"	mm	40	-	26.5	41	-	42.5	-	-	-	-	-	-	-	-	12	
	in	1.5	-	1.04	1.61	-	1.67	-	-	-	-	-	-	-	1/8"	0.47	0.30 lb.
2"	mm	50	48	29	51	11.5	48.5	3.6	55	4	71	62	58	6	14		
	in	2.0	1.89	1.14	2.01	0.45	1.91	0.14	2.17	0.16	2.80	2.44	2.28	0.23	1/4"	0.55	0.40 lb.
2.5"	mm	63	54	29	63	11.5	54	3.6	68	4	85	75	72	6	14		
	in	2.5	2.13	1.14	2.48	0.45	2.12	0.14	2.68	0.16	3.35	2.95	2.83	0.23	1/4"	0.55	0.50 lb.

¹ Weight without optional accessories

Ordering information

Pressure gauge model / Nominal size / Scale range / Size of connection / Optional extras required
 Specifications and dimensions given in this leaflet represent the state of engineering at the time of printing.
 Modifications may take place and materials specified may be replaced by others without prior notice.



WIKA Instrument Corporation

1000 Wiegand Boulevard
 Lawrenceville, GA 30045
 Tel (770) 513-8200 Toll-free 1-888-WIKA-USA
 Fax (770) 338-5118
 E-Mail info@wika.com
 www.wika.com