

Bourdon Tube Pressure Gauge Type 111.11 Compressed Gas Regulator Gauge Standard Series

WIKA Datasheet 111.11

Applications

- Compressed gas regulators
- Beverage dispensing machines
- Suitable for all media that will not obstruct the pressure system or attack copper alloy parts

Special features

- UL-listed (UL-252a or UL-404)
- Polished brass or gold-painted steel case
- Cleaned for use in oxygen service

Standard features

Design

ASME B40.100

Sizes

1½", 2" & 2½" (41, 53 & 68 mm)

Accuracy class

± 3/2/3% of span (ASME B40.100 Grade B)

Ranges

Vacuum / Compound to 200 psi
Pressure from 15 psi to 6,000 psi
or other equivalent units of pressure or vacuum

Working pressure

Steady: 3/4 of full scale value
Fluctuating: 2/3 of full scale value
Short time: full scale value

Operating temperature

Ambient: -40°F to 140°F (-40°C to 60°C)
Media: 140°F (+60°C) maximum

Temperature error

Additional error when temperature changes from reference temperature of 68°F (20°C) ±0.4% for every 18°F (10°C) rising or falling. Percentage of span.

Pressure connection

Material: copper-alloy
1/8" or 1/4" NPT lower mount (LM)



Bourdon Tube Pressure Gauge Type 111.11

Bourdon Tube

Material: copper alloy
15 psi to 600 psi: C-type (low copper content)
800 psi to 6,000 psi: helical

Movement

Copper alloy

Dial

White aluminum with stop pin and black lettering
"USE NO OIL" in red

Pointer

Black aluminum, non-adjustable

Case

1½": gold-painted steel
2" & 2½": polished brass or gold-painted steel

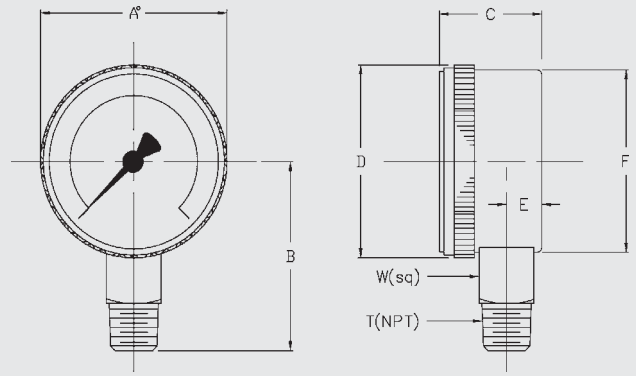
Window

Twist-lock clear polycarbonate

Optional Extras

- Brass restrictor (Std. for ranges 1,500 psi and higher)
- Special case colors
- Nickel-plated socket
- Chrome-plated steel case
- Chrome-plated ABS case
- Black ABS case
- Stainless steel case (2" size only)
- Center back mount (CBM) connection (1½" & 2" only)
- Special threaded connection
- Custom dial layout
- Other pressure scales available:
bar, kPa, MPa, kg/cm² and dual scales

Dimensions



Size		A	B	C ¹	D	E ¹	F	T	W	Weight
1.5"	mm	41	36.6	24	42.9	9	40	-	12	
	in	1.5	1.44	0.94	1.69	0.35	1.57	1/8"	0.47	0.14 lb
2"	mm	53	54	29	58	10.5	50.8	-	14	
	in	2.0	2.12	1.14	2.28	0.42	2.0	1/4"	0.55	0.24 lb
2.5"	mm	68	60	31	72.4	12	67.6	-	14	
	in	2.5	2.36	1.22	2.85	0.47	2.66	1/4"	0.55	0.33 lb

¹ For 2½" painted steel case, C dimension changes to 1.14" (29 mm), and E dimension changes to 0.35" (9 mm)

Ordering information

Pressure gauge model / Nominal size / Scale range / Size of connection / Optional extras required
 Specifications and dimensions given in this leaflet represent the state of engineering at the time of printing.
 Modifications may take place and materials specified may be replaced by others without prior notice.



WIKAL Instrument Corporation
 1000 Wiegand Boulevard
 Lawrenceville, GA 30045
 Tel (770) 513-8200 Toll-free 1-888-WIKA-USA
 Fax (770) 338-5118
 E-Mail info@wika.com
 www.wika.com