

Bourdon Tube Pressure Gauges

Large Diameter Industrial Gauge

Type 211.11 - Brass Wetted Parts

Type 231.11 - 316L SS Wetted parts

WIKA Datasheet 2X1.11

Applications

- For plants and equipment where measured values must be read from a distance
- Suitable for gaseous or liquid media that will not obstruct the pressure system

Special features

- Large diameter for easy reading
- Brass or 316L SS wetted parts
- Pressure ranges up to 15,000 psi

Standard Features

Design

ASME B40.100 & EN 837-1

Sizes

10" (250 mm)

Accuracy class

± 1% of span (ASME B40.100 Grade 1A)

Ranges

Vacuum / Compound to 200 psi
Pressure from 15 psi to 15,000 psi
or other equivalent units of pressure or vacuum

Working pressure

Steady: full scale value
Fluctuating: 0.9 x full scale value
Short time: 1.3 x full scale value

Operating temperature

Ambient: -40°F to +140°F (-40°C to +60°C)
Medium: max. +180°F (+80°C) - Type 211.11
max. +392°F (+200°C) - Type 231.11

Temperature error

Additional error when temperature changes from reference temperature of 68°F (20°C) ±0.4% for every 18°F (10°C) rising or falling. Percentage of span.



Bourdon Tube Pressure Gauge Model 211.11

Weather protection

Weather resistant (NEMA 3 / IP 54)

Pressure connection

Material: copper alloy - Type 211.11
316L stainless steel - Type 231.11
Lower mount (LM) or lower back mount (LBM)
1/2" NPT

Bourdon tube

Material: copper alloy - Type 211.11
≤ 1,000 PSI: C-type, copper alloy - silver soldered
≥ 1,500 PSI: helical type, 316L SS - brazed

Material: 316L stainless steel - Type 231.11
≤ 1,000 PSI: C-type, 316L SS
≥ 1,500 PSI: helical type, 316L SS

Movement

Copper alloy

Dial

White aluminum with black lettering

Pointer

Black aluminum

Case

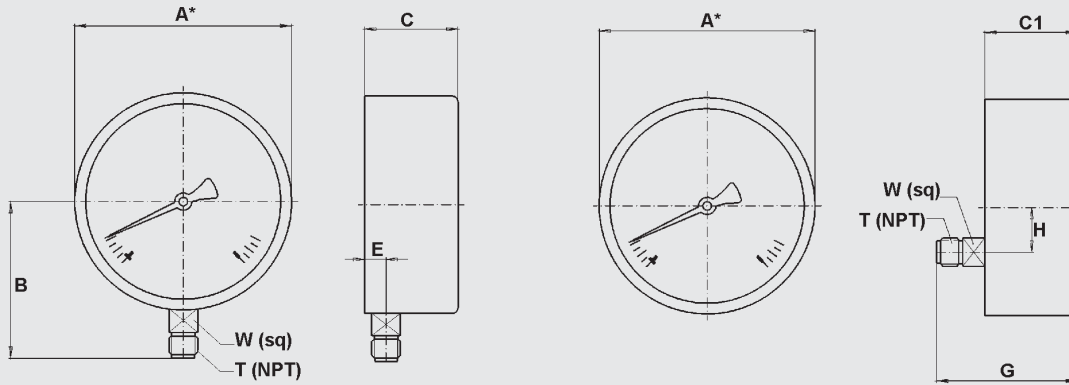
Black-painted steel with matching friction fit bezel ring

Window

Flat instrument glass

Optional extras

- Brass or SS restrictor
- Black-painted steel front or rear flange
- Stainless steel front or rear flange
- Laminated safety glass or acrylic window
- Stainless steel movement
- Red drag pointer or mark pointer
- Special connections limited to wrench flat area
- Custom dial layout
- Other pressure scales available
bar, kPa, MPa, kg/cm² and dual scales

Dimensions

Size		A	B	C	C1	E	G	H	T	W	Weight
10"	mm	250	165	51.5	51.5	17	83.5	50		22	
	in	9.84	6.5	2.03	2.03	0.67	3.29	1.97	1/2"	0.87	6.6 lb.

Ordering information

Pressure gauge model / Nominal size / Scale range / Size of connection / Optional extras required
 Specifications and dimensions given in this leaflet represent the state of engineering at the time of printing.
 Modifications may take place and materials specified may be replaced by others without prior notice.

**WIKI Instrument Corporation**