

# Bourdon Tube Pressure Gauge Type 113.13 - ABS Case with Liquid Filling Standard Series

WIKA Datasheet 113.13

## Applications

- Intended for severe service conditions where pulsation or vibration exist
- Suitable for all gaseous and liquid media that will not obstruct the pressure system or attack copper alloy parts
- Hydraulic systems and compressors

## Special features

- Vibration and shock resistant
- Ranges up to 6,000 psi
- Reliable and economical

## Standard Features

### Design

EN 837-1 & ASME B40.100

### Sizes

1½", 2" & 2½" (40, 50 & 63 mm)

### Accuracy class

1½": ± 3/2/3% of span (ASME B40.100 Grade B)  
2" & 2½": ± 2/1/2% of span (ASME B40.100 Grade A)

### Ranges (All ranges not stocked)

Vacuum / Compound to 200 psi  
Pressure from 15 psi to 6,000 psi

### Working pressure

Steady: 3/4 of full scale value  
Fluctuating: 2/3 of full scale value  
Short time: full scale value

### Operating temperature

Ambient: -4°F to 140°F (-20°C to 60°C)  
Media: 140°F (+60°C) maximum

### Temperature error

Additional error when temperature changes from reference temperature of 68°F (20°C) ±0.4% for every 18°F (10°C) rising or falling. Percentage of span.

### Weather protection

Weather tight (IP 65), NEMA 4X



Bourdon Tube Pressure Gauge Type 113.13

### Pressure connection

Material: copper alloy  
1/8" or 1/4" NPT  
Lower mount (LM) or center back mount (CBM)  
(1½" size only available with CBM connection)

### Bourdon tube

Material: copper alloy  
30 psi to 600 psi C-type  
800 psi to 6000 psi helical type

### Movement

Copper Alloy

### Dial

White ABS with stop pin and black lettering

### Pointer

Black ABS

### Case

1½": black ABS  
2" & 2½": black ABS with integral profile ring  
O-ring seal between case and socket  
Ranges ≤ 100 psi with internal pressure compensation

### Window

Acrylic, ultrasonically welded to case

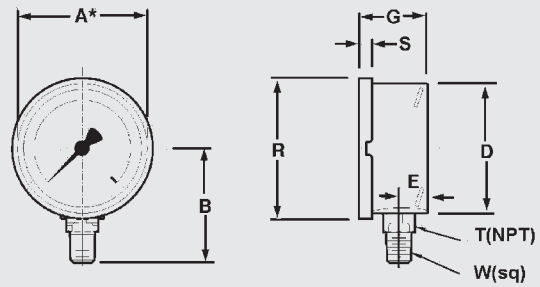
### Case fill

Glycerine 99.7%

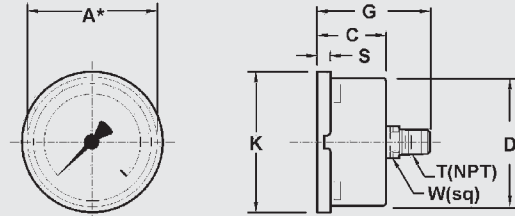
## Optional Extras

- Front or rear flange
- U-clamp bracket (CBM only)
- Brass restrictor
- Special threaded connection
- Custom dial layout
- Other pressure scales available:  
bar, kPa, MPa, kg/cm<sup>2</sup> and dual scales

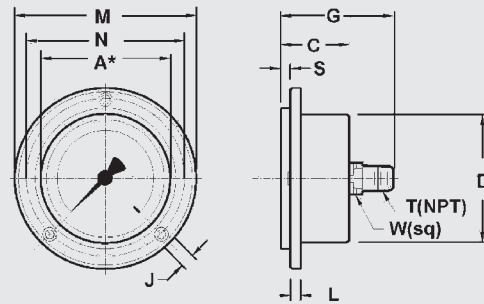
## Dimensions



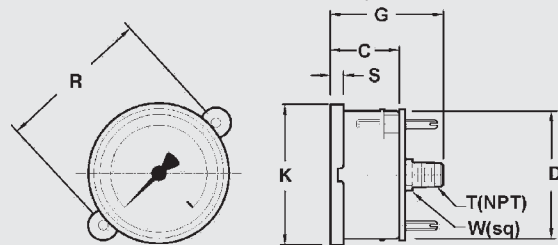
113.13 LM



113.13 CBM



113.13 CBM/FF



113.13 CBM/UC

Size		A	B	C	D	E	G	J	K	L	M	N	R	S	T	W	Weight <sup>1</sup>
1.5"	mm	40	-	26.5	41	-	42.5	-	-	-	-	-	-	-	-	12	
	in	1.5	-	1.04	1.61	-	1.67	-	-	-	-	-	-	-	1/8"	0.47	0.30 lb.
2"	mm	50	48	29	51	11.5	48.5	3.6	55	4	71	62	58	6	14		
	in	2.0	1.89	1.14	2.01	0.45	1.91	0.14	2.17	0.16	2.80	2.44	2.28	0.23	1/4"	0.55	0.40 lb.
2.5"	mm	63	54	29	63	11.5	54	3.6	68	4	85	75	72	6	14		
	in	2.5	2.13	1.14	2.48	0.45	2.12	0.14	2.68	0.16	3.35	2.95	2.83	0.23	1/4"	0.55	0.50 lb.

<sup>1</sup> Weight without optional accessories

### Ordering information

Pressure gauge model / Nominal size / Scale range / Size of connection / Optional extras required  
 Specifications and dimensions given in this leaflet represent the state of engineering at the time of printing.  
 Modifications may take place and materials specified may be replaced by others without prior notice.



WIKI Instrument Corporation