

VR7 Series

Pressure Relief Valve



Parker Hannifin Corporation's Veriflo Division presents the VR7 Series relief valve. The VR7 is an economical relief valve designed to vent excess pressure from a regulator should a minor seat leak occur.

The VR7 is recommended for use with regulators to protect the regulator and outlet pressure gauge. The VR7 is not intended for applications where repeated or frequent venting is required.



features

- ▶ Choice of seal materials for system compatibility.
- ▶ Hex body provides wrench flats.
- ▶ Available with a variety of connections, seat materials, and pressure settings

*Note: The VR7 **SHOULD ONLY** be used to protect Article 3, Paragraph 3 category equipment as defined in Pressure Equipment Directive 97/23/EC Dated: 29, May 1997.*

materials of construction

Wetted

Body Brass, 316L Stainless Steel
Seal Viton®, Neoprene® or Kalrez®
Spring 302 Stainless Steel
Poppet Brass, 316L Stainless Steel
Screw Delrin, 316L Stainless Steel

operating conditions

Adjustable Ranges: 10-20 psig (.6-1.4 barg),
20-100 psig (1.4-6.9 barg)
100-250 psig (7-17 barg)
250-500 psig (17-34 barg)

Temperature Range

Viton® and Kalrez® -30°F 400°F
(-35°C to 204°C)
Neoprene® -40°F to 240°F
(-40°C to 116°C)

Maximum Pressure 750 psig

surface finishes

Standard Ra. 15-20 micro inch
(.38 to .5 micro meter) or less

functional performance

Flow capacity $C_v = 0.37$
(SEMI Flow Coefficient Test# F-32-0998)

standard connections

1/4 inch pipe threads – male inlet, female outlet (NPT).

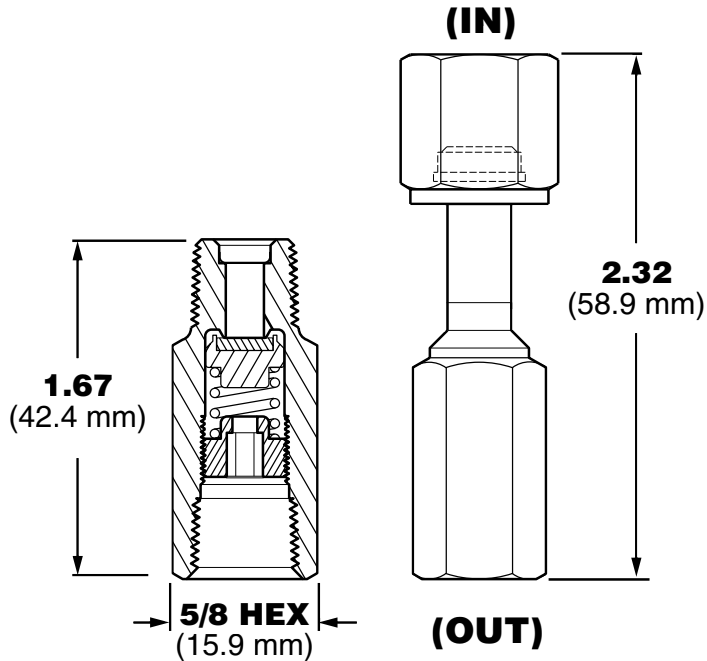
1/4 inch female pipe thread outlet, FS male or female fitting inlet.

approximate weight

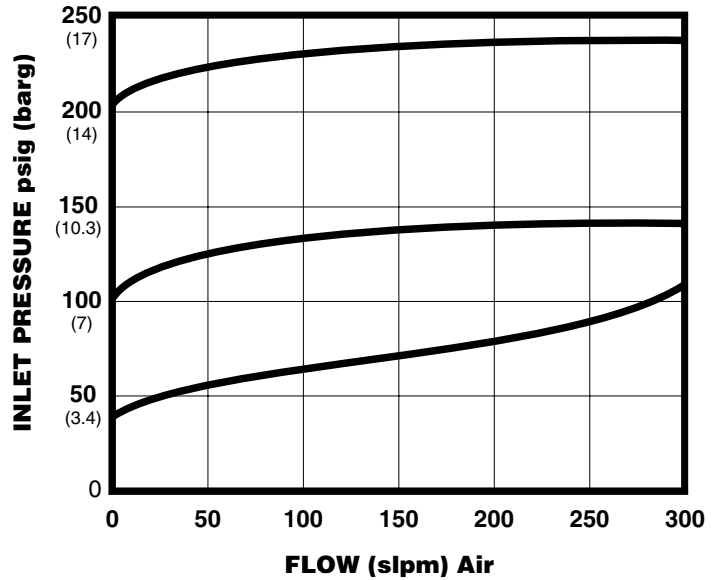
2.0 oz. (.06 kg)

VR7 Series

Dimensional Drawing



Flow Curve



Ordering Information

BASIC SERIES

VR7

CONNECTIONS (Inlet & Outlet)

- 44MF = 1/4" NPTM X 1/4" NPTF
- 4FSF = 1/4" FSF x 1/4" NPTF
(Stainless Steel Body Only)
- 4FSM = 1/4" FSM x 1/4" NPTF
(Stainless Steel Body Only)

Note: After relieving, service is required.

Viton® is a registered trademark of DuPont Dow Elastomers.
Neoprene® and Kalrez® are registered trademarks of DuPont Company

VR7 44MF 1 S V

SEAL

- K = Kalrez®
- N = Neoprene®
- V = Viton®

MATERIAL

- S = 316L Stainless Steel
- B = Brass

ADJUSTABLE RANGE

- 1= 10 20 psig
- 2= 20 100 psig
- 3= 100 250 psig
- 4= 250 550 psig