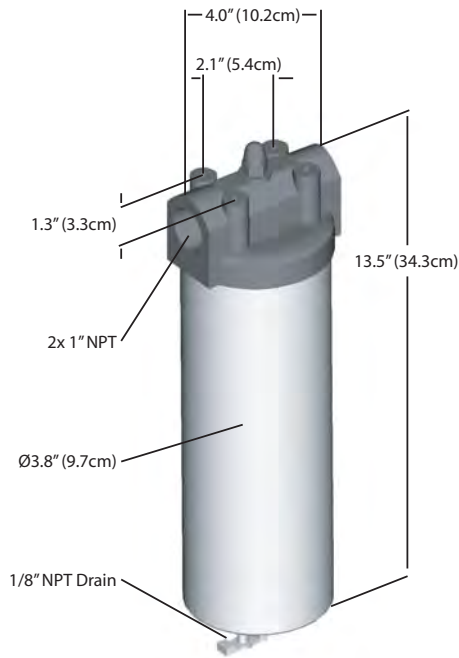


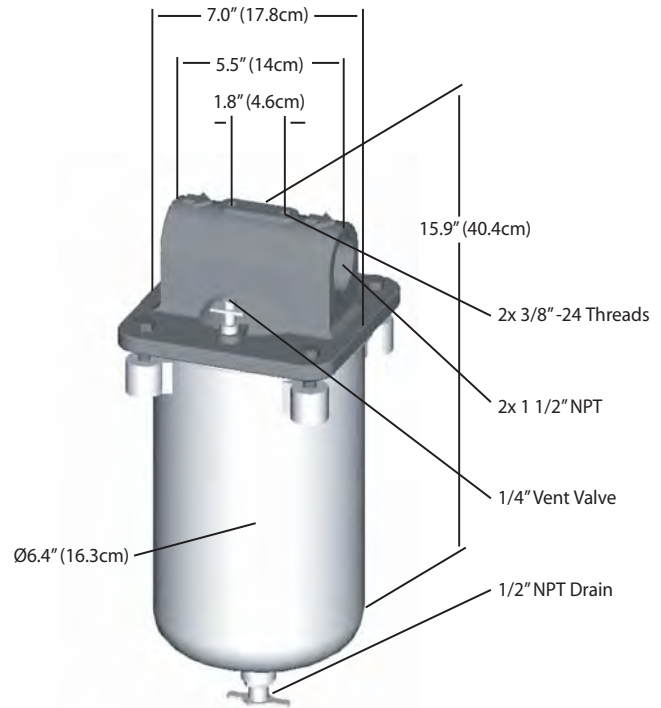
DIMENSIONAL DRAWINGS

Please note: Drawings are not to scale. Dimensions are shown for estimating purposes only.

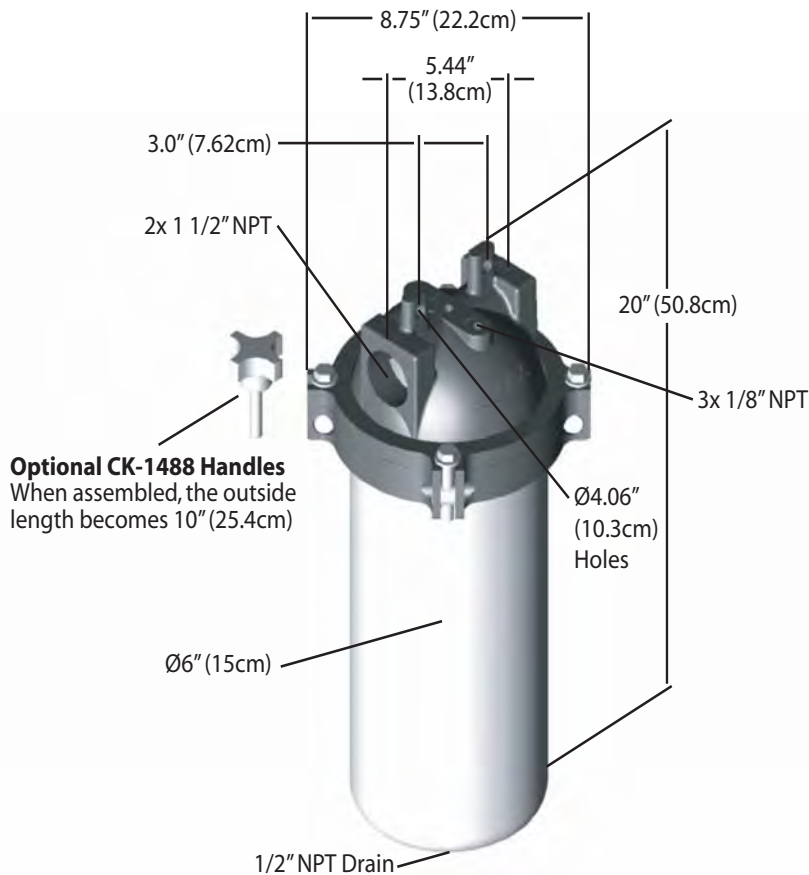
VF-31E



VF-609



VF-61



OPTIONAL ACCESSORIES - DIFFERENTIAL PRESSURE GAUGES

See page 4 for ordering information



**P/N 10678
for VF-61**



**P/N 07-224
for VF-609**

*Optional mounting block
for gauge,
P/N 07-224AMB,
not shown*

ORDERING INFORMATION

(Please note: Cartridges are NOT supplied. They must be ordered separately)

HOUSING P/N:	VF-31E	VF-61	VF-609
SUPPLIED WITH:	<ul style="list-style-type: none"> 1 ea P/N G-0995 Buna-N O-ring Mounting holes in head - 4 ea 1/4-20 NC 1 ea plug (for fuel & oil applications) 1 ea 1/8" petcock drain (for air, gas, & aviation fuel applications) 	<ul style="list-style-type: none"> 1 ea P/N G-0986 Buna-N O-ring 1/8" brass petcock vent valve, installed 1/2" drain plug, installed 1 ea 1/2" petcock drain, shipped loose 	<ul style="list-style-type: none"> 1 ea P/N G-0565 Buna-N O-ring 1/4" brass petcock vent valve 1/2" drain valve
RECOMMENDED SPARES	<ul style="list-style-type: none"> 1 ea P/N G-0995 Buna-N O-ring 4 ea replacement filter cartridges 	<ul style="list-style-type: none"> 1 ea P/N G-0986 Buna-N O-ring 6 ea replacement filter cartridges 	<ul style="list-style-type: none"> 1 ea P/N G-0565 Buna-N O-ring 6 ea replacement filter cartridges
If using with gasoline/solvent applications:		<ul style="list-style-type: none"> 2 ea P/N G-0986A Viton O-rings 	<ul style="list-style-type: none"> 2 ea P/N G-0565A Viton O-rings
OPTIONS	N/A	<ul style="list-style-type: none"> P/N 554Y020 - (carbon steel 1/2" NPT ball valve, with mounting nipple) P/N 10678 - (differential pressure gauge assembly) P/N CK-1488 (quick release hand bolts) 	<ul style="list-style-type: none"> P/N 554Y020 - (carbon steel 1/2" NPT ball valve, with mounting nipple) P/N 07-224 - (differential pressure gauge assembly) PN 07-224AMB (mounting block)
SPECIFICATIONS			
Weight	3 lbs, 15 oz	8 lbs	8 lbs
Shipping Weight	4 lbs, 15 oz	10 lbs	10 lbs
Inlet/Outlet Connection	1" NPT	1 1/2" NPT	1 1/2" NPT
Cover	Bolted	Bolted, 4 bolts	Bolted, 4 bolts
Maximum Operating Pressure: 150 psi			
Material: Cast aluminum head, carbon steel shell with epoxy powder coated exterior & interior			

OVER PRESSURE PROTECTION


When exposed to a high concentration of water, the differential pressure across an absorbent cartridge (AC, ACO, AD, or ASL Series cartridges) will immediately increase. Pressure bypasses or other means to limit the inlet pressure to 75 psi (5 bar) should be installed to prevent cartridge from collapsing.

CAUTION

To protect the fuel system, including the VF-609 & other components, be sure to install pressure relief valve(s).

CAUTION

Do not use **Aquacon**[®] absorbent cartridges (AC, ACO, AD or ASL Series) with pre-mixed jet fuel containing anti-coring additives, or with gasoline/alcohol blends.



Velcon products are sold and serviced by a world-wide representative network. To order, contact Headquarters or your LOCAL REPRESENTATIVE:

COMPANY HEADQUARTERS:
 Velcon Filters, Inc.
 1210 Garden of the Gods Road
 Colorado Springs, CO 80907-3410
 Phone: 1.800.531.0180 / 1.719.531.5855
 Fax: 719.531.5690
 e-mail: vfsales@velcon.com
 www.velcon.com

MANUFACTURING PLANTS LOCATED AT:
 Colorado Springs, Colorado
 Sylacauga, Alabama
 Henryetta, Oklahoma

OVERSEAS AFFILIATES:

**Liquid Filtration
and Separation
Specialists**

VF-61 Differential Pressure Gauge

Assembly Part Number 10678
For Use with VF-61, VF-61E, VF-62

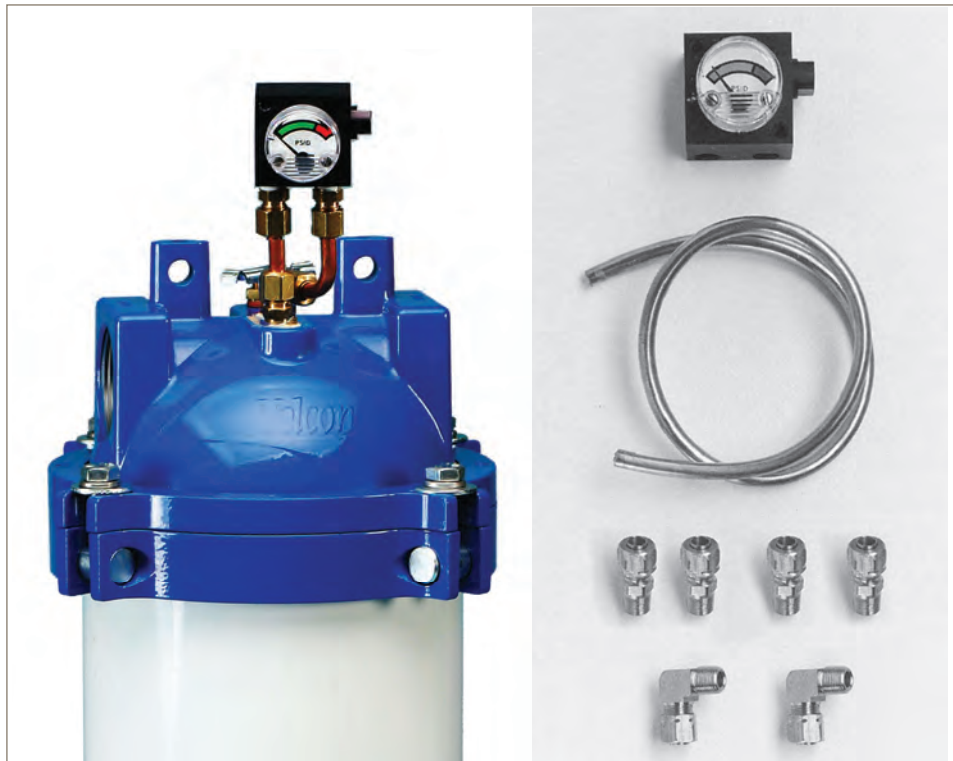


Description

This unit measures pressure difference between two points. The gauge allows for a simple reading on an easy-to-read scale. A red/green dial with a breakpoint located at 15 psid alerts the user of the condition of the process.

This kit consists of the following components:

- Differential Pressure Gauge: aluminum body, 1/8" NPT bottom, 1" molded lens & 0-20 psid scale,
- Compression Fittings: 4 straight, 2 90° elbow
- 1/4 O.D. Copper Tubing



Contact Information: Operation:

Parker Hannifin Corporation
Velcon Filtration Division
1210 Garden of the Gods Road
Colorado Springs, CO 80907

tel +1 719 531 5855
fax +1 719 531 5690
vfsales@parker.com

www.velcon.com

When the needle is in the green zone of the gauge during normal flow, the differential pressure is less than 15 psid across the installed element, and the element does not need to be changed out.

When the needle is in the red zone, the differential pressure is more than 15 psid and the element should be changed out. It has reached its recommended maximum pressure differential.

CAUTION:

Do not mount the P/N 10678 differential pressure gauge assembly any closer than 2" from a steel bracket or pipe. The gauge has a magnetic piston, and mounting too close to steel may affect the accuracy.



ENGINEERING YOUR SUCCESS.

SPECIFICATIONS

Filter Housing VF-62

- Maximum Operating Pressure: 150 psi
- Material: die cast aluminum head and closure clamp assembly; carbon steel shell with epoxy coated exterior and interior.
- Inlet/Outlet Connection: 1 1/2" NPT
- Closure Seal: Buna-N O-Ring (P/N G-0986)
- Weight: 16 lbs., Shipping Weight: 18 lbs.
- 1/8" brass petcock vent valve and 1/2" drain valve

Cartridges

- Maximum Operating Temperature: 200°F
- Collapse Strength: 75 psi (5 bar)
- pH Range: 5 - 9
- Nominal Filtration Efficiency: 98%

Over Pressure Protection

- When exposed to a high concentration of water, the differential pressure across an **Aquacon**® cartridge will immediately increase. Pressure bypasses or other means to limit the inlet pressure to 75 psi (5 bar) should be installed to prevent the cartridge from collapsing.

FILTER CARTRIDGE SELECTION TABLE

Application	Cartridge	Rating	Typical Free Water in Effluent (Maximum)	Recommended Flow Rates
Jet Fuel (1) Avgas (1)	ACO-52401L	1/2	2 ppm	10-100 USGPM (2)
Motor Gasoline	AC-52405	5	5 ppm	10-100 USGPM
Diesel Fuel	AD-52425	25	50 ppm	30-100 USGPM
Oils	AC-52405	5	See Note (3)	Varies with viscosity See Form #1709
	AD-52425	25		
Solvents	ASL-52401	1	5 ppm	10-100 USGPM
Dirt Removal Only	FO-524PL05	5	N/A	2-100 USGPM
	FO-524PL1/2	1/2		
	FO-524PL25	25		

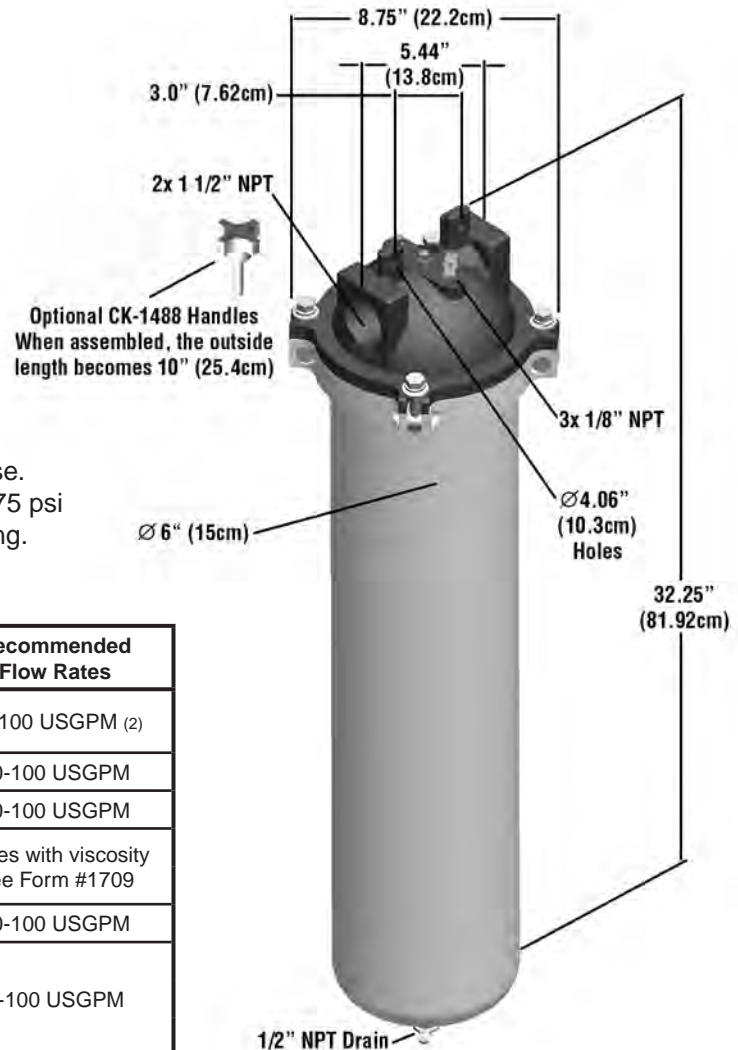
NOTES:

- (1) For Aviation Fuels, if system pressure can exceed 25 psi, and for Diesel Fuel Systems, always install pressure gauge or other means of determining differential pressure.
- (2) For Full Flow Fuel Monitor applications, the flow rate can be increased to 100 USGPM. This will result in a somewhat reduced cartridge life and higher initial pressure drop. In jet fuel with an ACO-52401L installed, the initial pressure drop is 6 psi at 50 USGPM, 10 psi at 75 USGPM.
- (3) For oils and other liquids with viscosity above 100 SUS, more than one pass is typically required through the cartridge. After multiple passes, water levels of 5 ppm can be achieved.

ORDERING INFORMATION

- Specify Model VF-62 Filter Housing
- Unit is supplied with G-0986 Buna-N O-Ring and 1/8" valve and 1/2" drain plug installed. 1/2" petcock drain valve is shipped loose.
- Cartridges are not supplied and must be ordered separately.
- Viton O-Rings (P/N G-0986A) are available but must be ordered separately. They are recommended for gasoline and solvent applications.
- Optional Differential Pressure Gauge Assembly is Part Number 10678 (See Form #1959)

VESSEL DIMENSIONS



RECOMMENDED SPARES

- 1 each G-0986 Buna-N O-Ring
- 6 each Cartridges
- If Viton O-Rings are desired, 2 each G-0986A

OPTIONS

- Part Number 554Y020 is a Carbon Steel 1/2" NPT Ball Valve, with Mounting Nipple
- Part Number CK-1488 quick release hand bolts (set of 4) to replace closure bolts (as shown on page 1)

Velcon products are sold and serviced by a world-wide representative network. To order, contact Headquarters or your LOCAL REPRESENTATIVE:

COMPANY HEADQUARTERS:
 Velcon Filters, LLC
 1210 Garden of the Gods Road
 Colorado Springs, CO 80907-3410
 Phone: 1.800.531.0180 / 1.719.531.5855
 Fax: 719.531.5690
 e-mail: vfsales@velcon.com
 www.velcon.com

MANUFACTURING PLANTS LOCATED AT:
 Colorado Springs, Colorado
 Sylacauga, Alabama
 Henryetta, Oklahoma

OFFICES AND AFFILIATES IN:
 Canada, Germany, Singapore, & Spain



**Liquid Filtration
 and Separation
 Specialists**

Due to Velcon Filters' continuing product improvement, drawings, specifications and pictures are subject to change without notice.

Buy: www.ValinOnline.com | Phone 844-385-3099 | Email: CustomerService@valin.com

VF-61 Differential Pressure Gauge

Assembly Part Number 10678
For Use with VF-61, VF-61E, VF-62

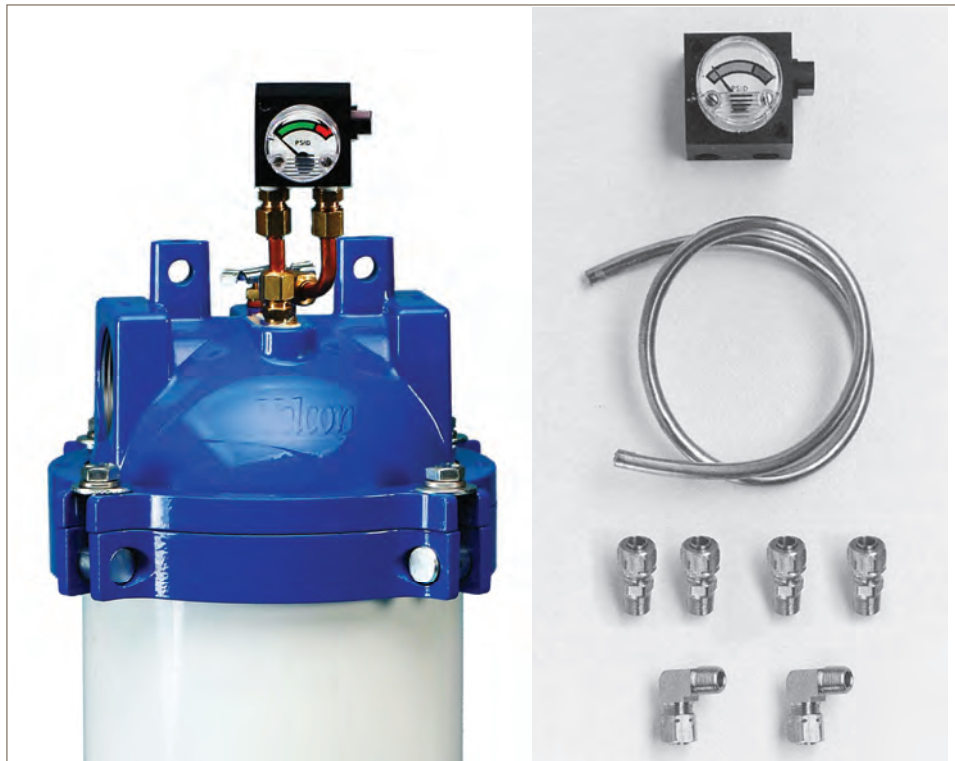


Description

This unit measures pressure difference between two points. The gauge allows for a simple reading on an easy-to-read scale. A red/green dial with a breakpoint located at 15 psid alerts the user of the condition of the process.

This kit consists of the following components:

- Differential Pressure Gauge: aluminum body, 1/8" NPT bottom, 1" molded lens & 0-20 psid scale,
- Compression Fittings: 4 straight, 2 90° elbow
- 1/4 O.D. Copper Tubing



Contact Information: Operation:

Parker Hannifin Corporation
Velcon Filtration Division
1210 Garden of the Gods Road
Colorado Springs, CO 80907

tel +1 719 531 5855
fax +1 719 531 5690
vfsales@parker.com

www.velcon.com

When the needle is in the green zone of the gauge during normal flow, the differential pressure is less than 15 psid across the installed element, and the element does not need to be changed out.

When the needle is in the red zone, the differential pressure is more than 15 psid and the element should be changed out. It has reached its recommended maximum pressure differential.

CAUTION:

Do not mount the P/N 10678 differential pressure gauge assembly any closer than 2" from a steel bracket or pipe. The gauge has a magnetic piston, and mounting too close to steel may affect the accuracy.



ENGINEERING YOUR SUCCESS.