



Replacement Cartridges for Vel-Max® Housings

O Series Coalescer and SO Separator Remove Water and Dirt from Diesel, Jet Fuel and Avgas

- Reduces free and emulsified water to less than 50 ppm in diesel, and less than 15 ppm in jet fuel/avgas.
- Used in place of **Aquacon**® cartridges for continuous removal of free water
- For use in the Velcon Vel-Max® housings

DESCRIPTION

The Velcon coalescer and separator are installed together in the Vel-Max® housing to remove water and dirt from fuel. The fuel passes from the outside to the inside through the coalescer. Dirt is filtered out of the fuel and free/emulsified water in fuel is coalesced. The coalesced water droplets, which form on the inside of the coalescer, are repelled from going further down-stream by the separator. The water settles down to the sump where it is manually drained.



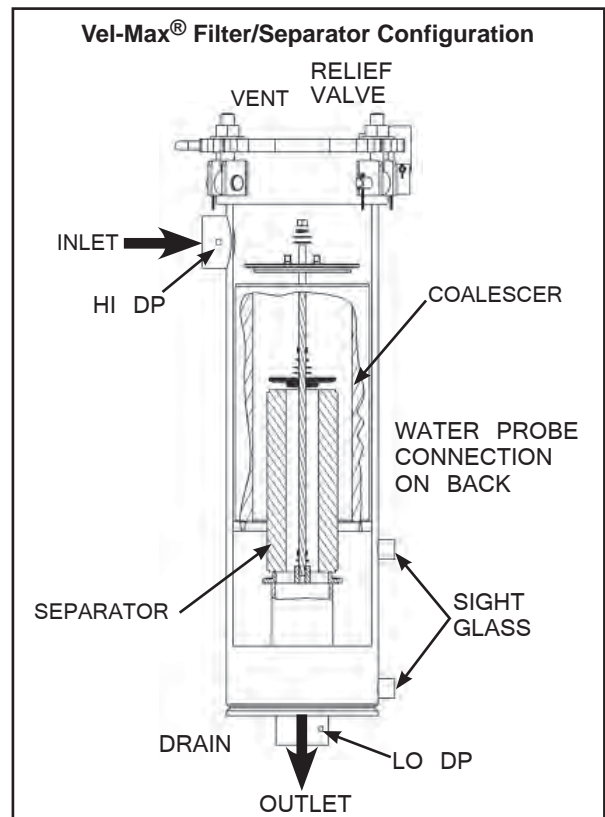
O-81588 and SO-415VX5 Separator

SPECIFICATIONS

- Maximum Operating Temperature is 160°F / 71°C
- Flow direction: outside to inside
- pH range: 5 to 9
- Coalescer Changeout at 15 psid

MAXIMUM RECOMMENDED FLOW RATES

Housing with Cartridges	Jet		Avgas		Diesel	
	gpm	lpm	gpm	lpm	gpm	lpm
VX-1	37	140	55	208	25	95
VX-2	75	284	100	378	50	189
VX-3	112	424	168	636	75	284



For more information on the Vel-Max® Filter Vessel please refer to data sheet #1961.

Cartridge Selection Tables for Vel-Max® Housings

Jet & Avgas Applications

Housing	Cartridge	Model #	Micron Rating	Dimensions (Inches)		
				OAL	ID	OD
VX-1	Coalescer	O-81588	0.5	15.0	5.625	7.625
	Separator	SO-415VX5	N/A	15.0	1.875	4.0
VX-2	Coalescer	O-83088	0.5	30.0	5.625	7.625
	Separator	SO-430VX5	N/A	30.0	1.875	4.0
VX-3	Coalescer	O-84488	0.5	44.0	5.625	7.625
	Separator	SO-444C	N/A	44.0	1.875	4.0

Diesel Applications

Housing	Cartridge	Model #	Micron Rating	Dimensions (Inches)		
				OAL	ID	OD
VX-1	Coalescer	O-8150	25	15.0	5.625	7.625
	Coalescer	O-8152	5			
	Coalescer	O-8154	3			
	Coalescer	O-8156	2			
	Separator	SO-415PL	N/A	15.0	1.875	4.0
VX-2	Coalescer	O-8300	25	30.0	5.625	7.625
	Coalescer	O-8302	5			
	Coalescer	O-8304	3			
	Coalescer	O-8306	2			
	Separator	SO-430PL	N/A	30.0	1.875	4.0
VX-3	Coalescer	O-8440	25	44.0	5.625	7.625
	Coalescer	O-8442	5			
	Coalescer	O-8444	3			
	Coalescer	O-8446	2			
	Separator	SO-444PL	N/A	44.0	1.875	4.0

NOTES:


1. If converting from Velcon's **Aquacon**® water absorbing cartridges to coalescer/separator cartridges, please order **Part Number EA35** end seal plate.
2. Separators used for jet fuel and avgas applications (SO-4xxVX5) are Teflon®-coated and can be cleaned and re-used. See data sheet #1242 for cleaning and maintenance instructions.
3. Separators used for diesel applications (SO-4xxPL) are made with pleated media. Changeout at 15 psid.

For information on other types of Velcon filter cartridges that can be used in the Vel-Max® Housing, see below and corresponding data sheet as marked.

Type		1-High	2-High	3-High	Data Sheet #
Micronic Filter Cartridges	Pleated Paper	FO-614PLFxx*	FO-629PLFxx	FO-644PLFxx	1549
	Fiberglass Depth	FO-614FGxx	FO-629FGxx	FO-644FGxx	1550
Aquacon ® Cartridges	Jet Fuel/Avgas	ACO-61401L	ACO-62901L	ACO-64401L	1681
	Gasoline	AC-61405	AC-62905	AC-64405	1582
	Diesel	AD-61425	AD-62925	AD-64425	1655
CDF®	Jet Fuel	CDF-215N	CDF-230N	N/A	1962

*The suffix "x" or "xx" on the part number denotes the micron rating of the cartridge.

Example: FO-614PLF5 is a 5 micron filter.



Velcon products are sold and serviced by a world-wide representative network. To order, contact Headquarters or your **LOCAL REPRESENTATIVE**:

COMPANY HEADQUARTERS:
 Velcon Filters, Inc.
 1210 Garden of the Gods Road
 Colorado Springs, CO 80907-3410
 Phone: 1.800.531.0180 / 1.719.531.5855
 Fax: 719.531.5690
 e-mail: vfsales@velcon.com
 www.velcon.com

MANUFACTURING PLANTS LOCATED AT:
 Colorado Springs, Colorado
 Sylacauga, Alabama
 Henryetta, Oklahoma

OVERSEAS AFFILIATES:
 Frankfurt, Germany & Singapore

**Liquid Filtration
 and Separation
 Specialists**

Vel-Max® Cartridge Selection Table

CARTRIDGES


FILTER/SEPARATOR CONFIGURATION				
FIRST STAGE COALESCERS FOR:	MICRON RATING	VX-1	VX-2	VX-3
DIESEL FUEL	25	O-8150	O-8300	O-8440
	3	O-8154	O-8304	O-8444
DIESEL FUEL / GASOLINE	2	O-8156	O-8306	O-8446
JET FUEL / KEROSENE / DIESEL FUEL / TURBINE LUBE OIL / INSULATING OIL	0.5	O-81588	O-83088	O-84488
SECOND STAGE SEPARATORS FOR:	TYPE	VX-1	VX-2	VX-3
DIESEL	PAPER	SO-415PL	SO-430PL	SO-444PL
JET / KERO / GAS / OILS	TCS	SO-415VX5	SO-430VX5	SO-444C
6" OD X 3.5" ID CONFIGURATION	TYPE	VX-1	VX-2	VX-3
MICRONIC CARTRIDGES	PLEATED PAPER	FO-614PLFxx	FO-614PLFxx (STACK OF 2)	FO-614PLFxx (STACK OF 3)
			FO-629PLFxx	FO-644PLFxx
	FIBERGLASS DEPTH	FO-614FGxx	FO-614FGxx (STACK OF 2)	FO-614FGxx (STACK OF 3)
			FO-629FGxx	FO-644FGxx
AVIATION Aquacon ® CARTRIDGES*		ACO-61401L	ACO-61401L (STACK OF 2)	ACO-61405 (STACK OF 3)
INDUSTRIAL Aquacon ® CARTRIDGES		AC-61405	A(C/D)-614xx (STACK OF 2)	A(C/D)-614xx (STACK OF 3)
		AD-61410		
		AD-61425	AC-62905	AC-64405
6" OR 6.25" OD X 2.5625" ID CONFIGURATION		VX-1	VX-2	VX-3
MICRONIC CARTRIDGES	PLEATED PAPER (FO) & PLEATED SYNTHETIC (FOS)	FO-718PLxx	N/A	(FO/FOS)-718xx (STACK OF 2)
		FOS-618PLxx		FO-736PLxx
		FOS-718PLxx		FOS-636PLxx
	FIBERGLASS DEPTH	FO-618FGAxx		FO-618FGAxx (STACK OF 2)
FO-636FGAxx				
INDUSTRIAL Aquacon ® CARTRIDGES		AC-718xx		AC-718xx (STACK OF 2)
CLAY (FULLER'S EARTH) CARTRIDGES		LA-61801B	LA-61801B (STACK OF 2)	
CDF® MONITOR CONFIGURATION		VX-1	VX-2	VX-3
CDF® CARTRIDGES*		CDF-215N	CDF-230N	N/A

The suffix "xx" on the part number of cartridges denotes the micron rating of the cartridge.
Contact Velcon Filters, LLC for available micron ratings.

HARDWARE KITS

CONFIGURATION	VX-1	VX-2	VX-3
FILTER / SEPARATOR (COALESCER + SEPARATOR)	VX1-FSKIT	VX2-FSKIT	VX3-FSKIT
6" OD X 3.5" ID CARTRIDGE(S)	VX1-AVKIT	VX2-AVKIT	VX3-AVKIT
6" OR 6.25" OD X 2.5625" ID CARTRIDGE(S)	VX1-INKIT	N/A	VX3-INKIT
CDF® MONITOR CARTRIDGES	VX1-CDKIT	VX2-CDKIT	N/A

***CAUTION: Do not use Aquacon® or CDF® water absorbing monitor cartridges in pre-mixed jet fuel containing anti-icing additives (DiEGME, FIZZY®, Prist®, FSII)**



Velcon products are sold and serviced by a world-wide representative network. To order, contact Headquarters or your LOCAL REPRESENTATIVE:

COMPANY HEADQUARTERS:
 Velcon Filters, LLC
 1210 Garden of the Gods Road
 Colorado Springs, CO 80907-3410
 Phone: 1.800.531.0180 / 1.719.531.5855
 Fax: 719.531.5690
 e-mail: vfsales@velcon.com
 www.velcon.com

MANUFACTURING PLANTS LOCATED AT:
 Colorado Springs, Colorado
 Sylacauga, Alabama
 Henryetta, Oklahoma

OFFICES AND AFFILIATES IN:
 Canada, Germany, Singapore, & Spain



**Liquid Filtration
and Separation
Specialists**

Due to Velcon Filters' continuing product improvement, drawings, specifications and pictures are subject to change without notice.

Buy: www.ValinOnline.com | Phone 844-385-3099 | Email: CustomerService@valin.com