

Filter Selection Table



Portable Filter Pumps



MP5
(#1535)
MP1EG
(#1721)
MP5E
(#1661)



MCP5E/MDP5E
(#1691)
AVF
(#2023)
HP10/HP30
(#1604)

Stationary Housings



VF-62
(#2076)
VF-61
(#1997)
VF-609
(#1997)
VF-31E
(#1997)



Vel-Max®
(#1961)
VF-71E
(#1654)
VF-166C/VF-2012C
(#1588)
VF82B
(#1708)

Filter Systems



TOC30 (#1751)
TOC5 (#1857)
HCP/HDP (#1693)

Typical Solutions for Industrial Applications Equipment/Cartridge Combinations

For more detailed information, please refer to individual data sheets as indicated by the form # listed below photos or in parenthesis in the table.

Problem	Type of Fluid/Applications	Solution
1. Water and Dirt in Oils	Lube Oil Gear Oil Hydraulic Oil Turbine Oil	1a. Portable Filter Pumps The MP5, 5 GPM Portable Filter Pump is typical and widely used in industry. Use with Aquacon® cartridge (#1582) or FO-718PL pleated media (#1549)
		1b. Stationary Filter Housings and Aquacon® Cartridges Note that Aquacon® super-absorbent filters have become the industry standard for dirt and water removal. See #1770 for more info.
		1c. Turbine Oil Coalescing System (#1751, 1857) Use TOC30 System at 30GPM flow rate.
2. Water and Carbon in Insulating Oils	Transformer Oil Circuit Breaker Oil Switch Gear Oil Tap Changer Oil	2a. Aquacon® Cartridges in Portable Filter Pumps MP-5 at 5 GPM and HP-30 at 30GPM flow rate.
		2b. Insulating Oil Filter Systems Use Aquacon® Cartridges in HCP-30 and TO-30 Systems at 30GPM flow rates.
		2c. Aquacon® 1, 2, 3, and 4-Hi Cartridges (#1684) Replacements for Alsop and Cuno disk type cartridges and Hilco blotter paper filters in existing housings.
3. Water and Dirt in Fuels	Gasoline Diesel Kerosene	3a. Aquacon® Cartridges in VF-61, VF-62 or VF-31E Housings (#1655) Positive Shut-Off features prevents pumping of contaminated fuel. Use Coalescer Cartridges in high volume applications.
		3b. Spin-On Aquacon® Cartridges (#1717) Use on gasoline and diesel fuel dispensers.
		4. High Surface Area Pleated Media and Fiberglass Depth Media Cartridges (#1550) Use in Stationary Housings at 1 to 600 GPM or Portable Filter Pumps at 1 to 30 GPM.
4. Dirt (Particulates) In Oils and Fuels	All Oils All Fuels	
5. Acid in Oils	Vacuum Pump Oil	5. Adsorbent Cartridges: Fullers Earth or Activated Alumina (#1667) Use in Stationary Housings or Portable Filter Pumps.
6. Water and Dirt in Compressed Air	Industrial Compressed Air Instrument Air	6. Air Aquacon® Filter Cartridge in VF-31E Housing (#1689) "Foolproof" 99.9+% water removal with positive lock-in and positive shut-down. Gross water removal via petcock.
7. Water and Dirt in Solvents	Hexane Toluene 1,1,1 -Trichlorene	7. Solvent Aquacon® Cartridges (#1692) Use in Stationary Housings. Typical: 1 to 80 GPM, down to 10 ppm water in effluent with 1 micrometer particulate rating.

Buy: www.ValinOnline.com | Phone 844-385-3099 | Email: CustomerService@valin.com

Aquacon® Cartridges



Aquacon® - Industrial
(#1582)



Air Aquacon® ACA-210
(#1689)



Aquacon® Spin-on Industrial
(#1717)

Other Filter Cartridges



Synthetic FOS
(#1734)



Fiberglass FO-xxxFG
(#1550)



Pleated Filters
(#1549)



Coalescers
(#1561)



Adsorbent LA-6xx
(#1667)



Aquacon® Filter Cartridges

AD Series

Eliminate Diesel Fuel Contamination Problems at the Pump

- Positive shut-off prevents pumping harmful amounts of water
- Removes silt and rust
- Effective protection combined with economical life

DESCRIPTION

AD Series **Aquacon** cartridges were developed in cooperation with a major oil company for diesel fuel applications. Balancing effective water and dirt removal with economical life, AD cartridges have become standard for most diesel users and can also be used with biodiesel.

Nominal filtration efficiency is 25 microns. Effluent water levels are typically below 50 parts per million. The AD design retains the water shut-off feature and the high water holding capacity of similar size AC Series cartridges.


Motor gasoline, hydraulic and lube oils can also be filtered with AD cartridges. Aviation fuels, however, must be filtered with the more efficient series design.



CARTRIDGE INFORMATION:

Model Number	Dimensions (inches)	Max. Diesel Flow Rate per cartridge (GPM)	Use
AD-21025	2 ⁵ / ₈ x 9 ³ / ₄	15	Velcon VF-31E Housing
AD-51225	5 ⁵ / ₈ x 12 ¹ / ₄	50	Velcon VF-61 Housing
AD-60925	6 x 9 ¹³ / ₁₆	35	Velcon VF-609/Facet VFCS-21 Housings
AD-61225	6 x 13 ¹¹ / ₁₆	46	Facet VFCS-22/FBO-14 Housings
AD-61425	6 x 14 ¹ / ₂	50	Velcon Aviation Housings
AD-71825	6 ¹ / ₄ x 18	60	Velcon Industrial Housings

WARNING: Absorbent-type monitor cartridges will not remove water from fuel containing alcohol-blending agents (commonly called gasohol). For removal of solids, please use Velcon particle removal filters specifically made for gasohol. Consult your Velcon representative.



Velcon products are sold and serviced by a world-wide representative network. To order, contact Headquarters or your LOCAL REPRESENTATIVE:

COMPANY HEADQUARTERS:
 Velcon Filters, Inc.
 1210 Garden of the Gods Road
 Colorado Springs, CO 80907-3410
 Phone: 1.800.531.0180 / 1.719.531.5855
 Fax: 719.531.5690
 e-mail: vfsales@velcon.com
 www.velcon.com

MANUFACTURING PLANTS LOCATED AT:
 Colorado Springs, Colorado
 Sylacauga, Alabama

OVERSEAS AFFILIATES:
 Frankfurt/M., Germany & Singapore

**Liquid Filtration
 and Separation
 Specialists**

Due to Velcon Filters' continuing product improvement, drawings, specifications and pictures are subject to change without notice.



OS Series Coalescer/ Separator Cartridges

for Diesel Fuels

Designed for superior performance in VF-61 & VF-609 Housings

FEATURES

- One piece replacement combination coalescer and separator cartridge
- Teflon[®] coated screen separator
- Reliable radial sump seal design
- Nominal 5 micron for diesel fuel
- Minimum 75 psid collapse strength
- Flow direction – outside to inside
- Operating temperatures up to 240°F (115°C)
- 5 - 9 operating pH range

The OS Series combination coalescer/separator cartridges filter dirt and remove water from diesel fuel. They are designed to fit into VF-61 and VF-609 housings. Performance is improved due to Teflon[®] coated screen separators and reliable radial sump seals.



OS-51286 Cartridge

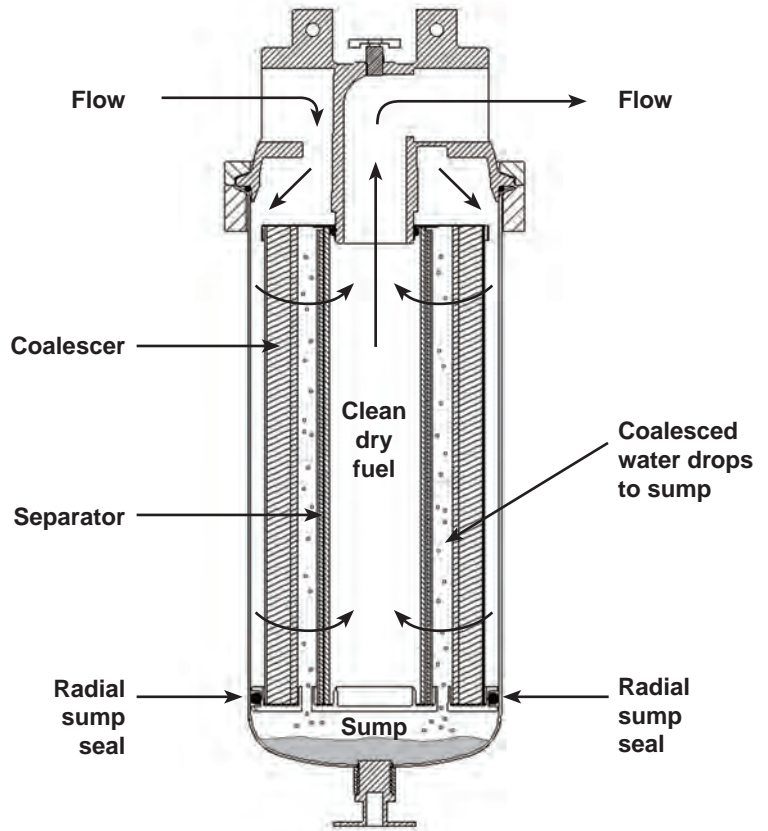


OS-60986 Cartridge

[®] Teflon is a registered trademark of E.I. du Pont de Nemours & Co., Inc.

DESCRIPTION

Flow is from outside to inside through the cartridge. Coalesced water is repelled by the separator and drops to the sump for daily draining. Clean, dry fuel exits the cartridge through the nozzle at the top.




CARTRIDGE SELECTION TABLE

MODEL NUMBER	VESSEL MODEL NUMBER	FOR PRODUCT	FLOW RATE USGPM (maximum)	MICRON RATING	DIMENSIONS			
					OD		LENGTH	
					inches	mm	inches	mm
OS-51286	VF-61	Diesel Fuel	18	5	6	152	11 ³ / ₄	298
OS-60986	VF-609	Diesel Fuel	18	5	6	152	9	229

Replace the cartridge when the differential pressure exceeds 15 psi or after 1 year of service, whichever occurs first.

*Because of the limited sump space in these vessels, IT IS IMPERATIVE to drain the sump at EVERY FUELING. It is also important to recognize that these OS cartridges by themselves do not provide a water defense system. Velcon recommends the use of a water defense system to alert the user to the presence of water in the sump.



Velcon products are sold and serviced by a world-wide representative network. To order, contact Headquarters or your LOCAL REPRESENTATIVE:

COMPANY HEADQUARTERS:
 Velcon Filters, LLC
 1210 Garden of the Gods Road
 Colorado Springs, CO 80907-3410
 Phone: 1.800.531.0180 / 1.719.531.5855
 Fax: 719.531.5690
 e-mail: vfsales@velcon.com
 www.velcon.com

MANUFACTURING PLANTS LOCATED AT:
 Colorado Springs, Colorado
 Sylacauga, Alabama
 Henryetta, Oklahoma

OFFICES AND AFFILIATES IN:
 Canada, Germany, Singapore, & Spain



**Liquid Filtration
 and Separation
 Specialists**

Due to Velcon Filters' continuing product improvement, drawings, specifications and pictures are subject to change without notice.

Buy: www.ValinOnline.com | Phone 844-385-3099 | Email: CustomerService@valin.com



Small Filter Housings

VF-31E, VF-61, VF-609

Clean Dry Fuels and Oils with High Performance

FEATURES

- Wide variety of applications
- Free and emulsified water to less than 5 ppm
- 1/2 micron particulate removal
- Provides protection against “slugs” of water
- Pressure increase signals cartridge change

These filter housings are versatile housings designed for use with several different high performance **Aquacon**® and other filter cartridges. Refer to the cartridge selection table on page 3 for application and other details.

Aquacon® cartridges filter out water by chemically locking it into layers of super-absorbent media. Water capacity is as much as 1½ quarts, depending on the specific vessel and cartridge. These cartridges also effectively filter out dirt, rust and other particulates. (See caution, back cover.)

As an **Aquacon**® cartridge reaches its water-holding limit, the media expands very rapidly and restricts the flow. The pressure drop will rapidly increase, signaling the need to change cartridges.

The VF-61, with **Aquacon**® ACO series cartridges installed, has become the standard for low flow rate full flow aviation fuel monitor applications.

APPLICATIONS

- Jet Fuel
- Avgas
- Motor Gasoline
- Diesel Fuel
- Biodiesel
- Selected Solvents
- Oils: Insulating
- Hydraulic
- Lubricating
- Compressed Air
- Other Gasses



VF-31E



VF-61*



VF-609



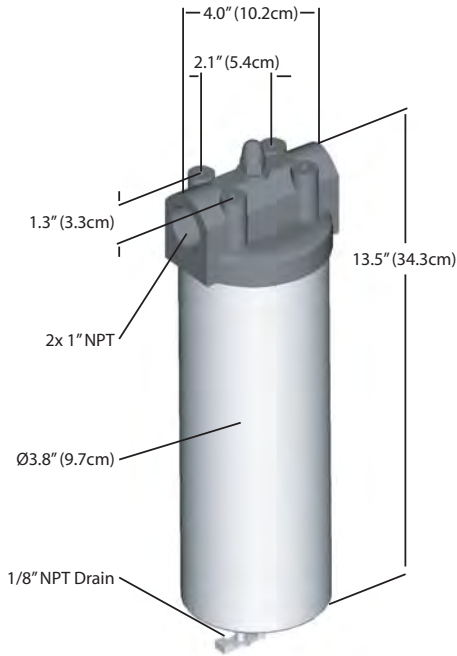
VF-61 connected to a diesel fuel dispenser

***Also available: VF-61UL Filter Housing, for diesel fuels. Recognized under the Component Recognition Program of Underwriters Laboratories Inc.**

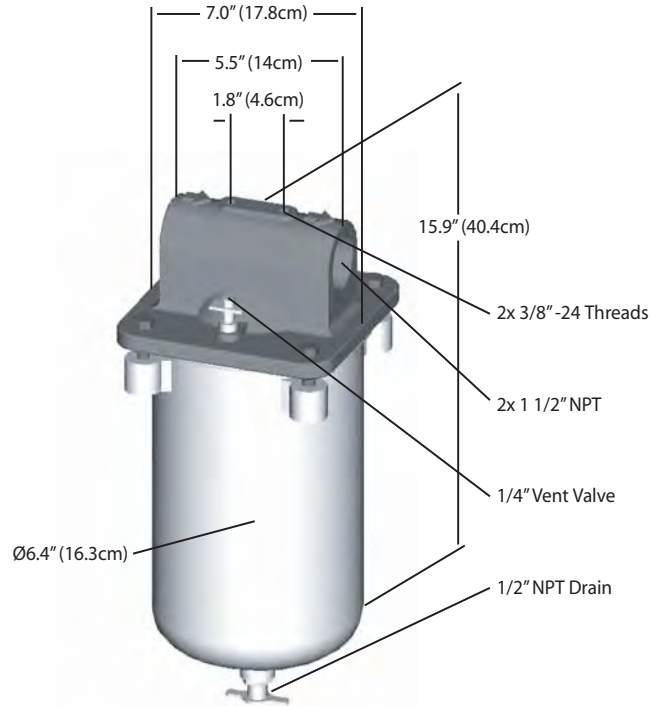
DIMENSIONAL DRAWINGS

Please note: Drawings are not to scale. Dimensions are shown for estimating purposes only.

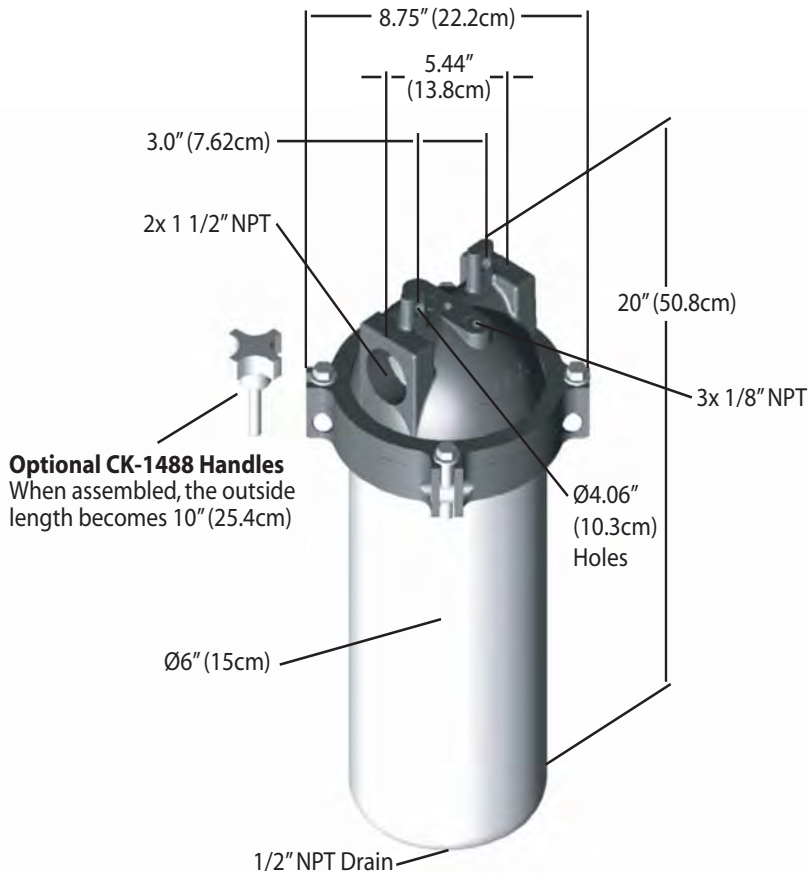
VF-31E



VF-609



VF-61



OPTIONAL ACCESSORIES - DIFFERENTIAL PRESSURE GAUGES

See page 4 for ordering information



**P/N 10678
for VF-61**



**P/N 07-224
for VF-609**

Optional mounting block
for gauge,
P/N 07-224AMB,
not shown

FILTER CARTRIDGE SELECTION TABLE

Housing P/N	Product being filtered	Application	Cartridge P/N	Data Sheet	Type	Micron	Flow Rate (GPM)
VF-31E	Jet Fuel & Avgas ⁽¹⁾	Dirt & Free water	ACO-21001L	1681	Aquacon [®] (Absorbent)	0.5	1-15
	Mo-gas		AC-21005	1582		5	
	Gasohol	Dirt	FOG-21005	N/A	Paper filter	5	1-15
	Diesel ⁽¹⁾	Dirt & Free water	AD-21025	1655	Aquacon [®] (Absorbent)	25	1-15
	Oils		AC-21005	1582		5	Varies with oil viscosity ⁽²⁾
			AD-21025	1655		25	
	Air/Gas		ACA-210	1689		1	100 SCFM @ 100 psig
	Dirt	FOS-210PLP5	N/A	Synthetic Filter	0.5		
VF-61	Jet Fuel & Avgas ⁽¹⁾	Dirt & Free water	ACO-512P3L	1681	Aquacon [®] (Absorbent)	0.3	5-50
			ACO-51201L			0.5	5-50
			OS-51288	1858	Coalescer/ Separator	0.5	Jet: 5-35 Avgas: 5-45
	Mo-gas		AC-51205	1582	Aquacon [®] (Absorbent)	5	5-50
	Diesel ⁽¹⁾		AD-51225	1655		25	15-50
				OS-51286	1858	Coalescer/ Separator	5
	Oils		AC-51205	1582	Aquacon [®] (Absorbent)	5	Varies with oil viscosity ⁽²⁾
			AD-51225	1655		25	
	Solvents		ASL-51201	1692		1	5-50
	ALL		Dirt	FO-512PL1/2	1549	Paper Filter	0.5
		FO-512PL05		5			
		FO-512PL25		25			
				FOS-512PL25	1734	Synthetic Filter	25
VF-609	Jet Fuel & Avgas ⁽¹⁾	Dirt & Free water	ACO-609P3L	1681	Aquacon [®] (Absorbent)	0.3	15-36
			ACO-60901L			0.5	
			ACO-60905L			5	
			OS-60988	1858	Coalescer/ Separator	0.5	Jet: 5-35 Avgas: 5-45
	Diesel ⁽¹⁾		AD-60925	1655	Aquacon [®] (Absorbent)	25	15-30
			OS-60986	1858	Coalescer/ Separator	5	5-18

NOTES:

(1) For aviation and diesel fuel applications, always install a differential pressure gauge or other means of determining differential pressure.

(2) See Data Sheet #1709 for absorbent cartridge (AC, AD) flow rates.

(3) See Data Sheet # 1532 for paper filter (FO) flow rates, see Data Sheet # 1747 for synthetic filter (FOS) flow rates. For Biodiesel applications, please contact Valcon.

Please consult installation instructions and operating procedures that accompany products for more detailed information.

ORDERING INFORMATION

(Please note: Cartridges are NOT supplied. They must be ordered separately)

HOUSING P/N:	VF-31E	VF-61	VF-609
SUPPLIED WITH:	<ul style="list-style-type: none"> 1 ea P/N G-0995 Buna-N O-ring Mounting holes in head - 4 ea 1/4-20 NC 1 ea plug (for fuel & oil applications) 1 ea 1/8" petcock drain (for air, gas, & aviation fuel applications) 	<ul style="list-style-type: none"> 1 ea P/N G-0986 Buna-N O-ring 1/8" brass petcock vent valve, installed 1/2" drain plug, installed 1 ea 1/2" petcock drain, shipped loose 	<ul style="list-style-type: none"> 1 ea P/N G-0565 Buna-N O-ring 1/4" brass petcock vent valve 1/2" drain valve
RECOMMENDED SPARES	<ul style="list-style-type: none"> 1 ea P/N G-0995 Buna-N O-ring 4 ea replacement filter cartridges 	<ul style="list-style-type: none"> 1 ea P/N G-0986 Buna-N O-ring 6 ea replacement filter cartridges 	<ul style="list-style-type: none"> 1 ea P/N G-0565 Buna-N O-ring 6 ea replacement filter cartridges
If using with gasoline/solvent applications:		<ul style="list-style-type: none"> 2 ea P/N G-0986A Viton O-rings 	<ul style="list-style-type: none"> 2 ea P/N G-0565A Viton O-rings
OPTIONS	N/A	<ul style="list-style-type: none"> P/N 554Y020 - (carbon steel 1/2" NPT ball valve, with mounting nipple) P/N 10678 - (differential pressure gauge assembly) P/N CK-1488 (quick release hand bolts) 	<ul style="list-style-type: none"> P/N 554Y020 - (carbon steel 1/2" NPT ball valve, with mounting nipple) P/N 07-224 - (differential pressure gauge assembly) PN 07-224AMB (mounting block)
SPECIFICATIONS			
Weight	3 lbs, 15 oz	8 lbs	8 lbs
Shipping Weight	4 lbs, 15 oz	10 lbs	10 lbs
Inlet/Outlet Connection	1" NPT	1 1/2" NPT	1 1/2" NPT
Cover	Bolted	Bolted, 4 bolts	Bolted, 4 bolts
Maximum Operating Pressure: 150 psi			
Material: Cast aluminum head, carbon steel shell with epoxy powder coated exterior & interior			

OVER PRESSURE PROTECTION


When exposed to a high concentration of water, the differential pressure across an absorbent cartridge (AC, ACO, AD, or ASL Series cartridges) will immediately increase. Pressure bypasses or other means to limit the inlet pressure to 75 psi (5 bar) should be installed to prevent cartridge from collapsing.

CAUTION

To protect the fuel system, including the VF-609 & other components, be sure to install pressure relief valve(s).

CAUTION

Do not use **Aquacon**[®] absorbent cartridges (AC, ACO, AD or ASL Series) with pre-mixed jet fuel containing anti-coring additives, or with gasoline/alcohol blends.



Velcon products are sold and serviced by a world-wide representative network. To order, contact Headquarters or your LOCAL REPRESENTATIVE:

COMPANY HEADQUARTERS:
 Velcon Filters, Inc.
 1210 Garden of the Gods Road
 Colorado Springs, CO 80907-3410
 Phone: 1.800.531.0180 / 1.719.531.5855
 Fax: 719.531.5690
 e-mail: vfsales@velcon.com
 www.velcon.com

MANUFACTURING PLANTS LOCATED AT:
 Colorado Springs, Colorado
 Sylacauga, Alabama
 Henryetta, Oklahoma

OVERSEAS AFFILIATES:

**Liquid Filtration
and Separation
Specialists**