

Ordering Instructions

How To Order

Parker VacuSeal™ components are ordered by Ordering Number, as listed in this catalog. Replace the asterisk within each Ordering Number with the corresponding material designator listed below.

Assembly Example:

If your system requires a VacuSeal™ assembly connecting from 1/4" O.D. tubing to 1/4" O.D. tubing, you may order the following parts.

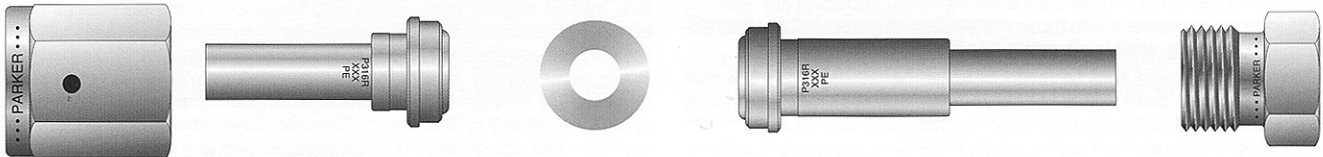
VacuSeal™ Female Nut
4 BV-SS-D

VacuSeal™ Gland
4-4 V1T3-SSR 1.10-PE

VacuSeal™ Gasket
4 VG-N

VacuSeal™ Long Gland
4-4 V1T3-SSR 1.70-PE

VacuSeal™ Male Nut
4 BVI-SS




Note: Each component must be ordered separately.

Nomenclature

Part numbers of Parker VacuSeal™ components are constructed from symbols that identify the size, configuration and material of each component.

Component Example:

Size	End Connections	Material*	Surface Finish (5 μinch Ra)	
4 - 4	V 1 T3 -	SSR 1.10	- PE	
	Type	Overall Length		

Size: Tube and Pipe are designated by the number of sixteenths of an inch. (i.e. 1/4" Pipe Thread = 4/16" = 4)
Metric Tube O.D. is designated in millimeters and prefixed 'M'.
(i.e. 4-6M V1T3-SSR 1.16)

Type: Designate shape of component.
(i.e. 1=gland, E=elbow, J=tee, K=cross, etc.)

***Material:** Replace asterisks in Part Number to specify material:
SS = Stainless Steel 316 (Standard for VacuSeal™ Nuts, Caps, & Plugs)
SSR = Stainless Steel 316L VAR (Standard for VacuSeal™ Bodies)
SSV = Stainless Steel 316L VIM/VAR (Standard for VacuSeal™ Glands)
Nickel and Hastelloy C-22® available upon request.

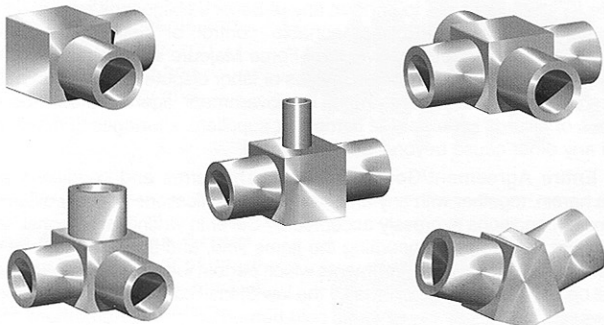
Size: End Connections: Specify VacuSeal™ end first, followed by other corresponding ends:
V = VacuSeal™
M = Butt weld with .25" tube stub length
T3 = Butt weld with .75" tube stub length
TW = Butt weld with various tube stub length
Y3 = Butt weld with End Collar
W = Socket Weld

Overall Length: Specify length of component in inches.

Note: Contact Parker representative for information on additional materials.

Additional Products

Mini Butt welds™

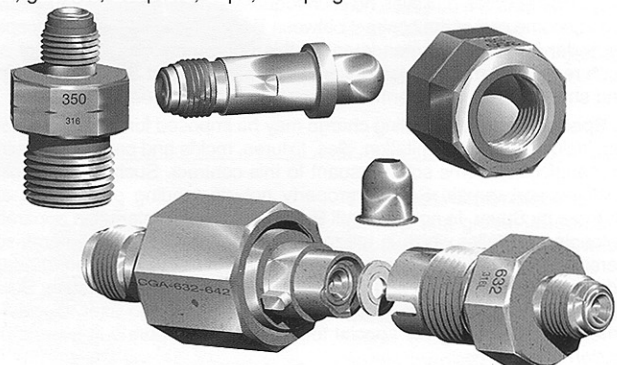


Parker offers a full line of MiniButt weld™ products to complement the VacuSeal™ product line. Please refer to Catalog 4280-MiniButt weld™ for additional information.

EWAL® is a registered trademark of Parker Hannifin Corporation.

EWAL® Cylinder Connections

Parker offers a complete line of EWAL® Ultra High-Integrity CGA, JIS, DIN and British Standard Cylinder Connections, including nipples, nuts, gaskets, adapters, caps, and plugs.



Note: A full line of VacuSeal™ end connections are available for EWAL® Cylinder Connections, in addition to many pipe and tube weld connections.