

PRESSURE SWITCH

**FEATURES**

- Tamper-Resistant Field Adjustment
- Adjustable Ranges from 4 to 7500 PSI (0,3 to 517,1 Bar)
- Choice of 7 Electrical Terminations
- 1-1/4" Diameter
- Height as Small as 3"



10 Series

10 Series

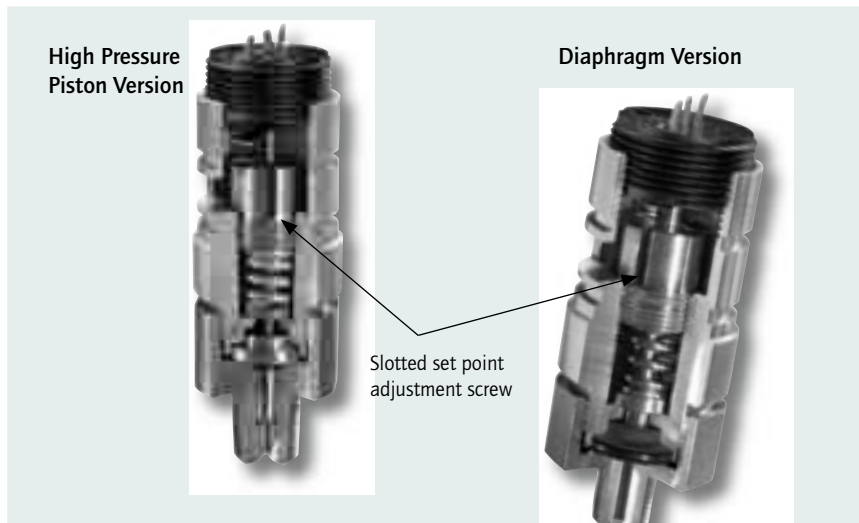
OVERVIEW

Available with seven electrical termination varieties, a choice of sensors, and several pressure connections, the Spectra 10 is designed to meet most requirements for a variety of OEM and industrial applications. Just 1-1/4 inches in diameter and as small as 3 inches high, this compact, cylindrical switch mounts wherever space is at a premium. A reliable and cost-effective switch, the Spectra 10 is ideal for applications with high settings and surges. Among the tough applications in which the Spectra 10 has proven itself are: mobile hydraulic units, compactors, balers and lube oil systems.

In addition to standard capabilities, modified designs or options are available to help you meet specific application requirements. Design flexibility allows for customized pressure connections, electrical terminations and pressure ranges. Consult UE for all product capabilities, order restrictions and special conditions.

FEATURES

- cULus recognized and CE compliant to low voltage directive and pressure equipment directive. Optional ATEX intrinsic safety compliance.
- NPT or SAE threaded pressure connections
- Choice of 7 electrical terminations
- Optional leadwire/cable lengths
- Rugged and vibration resistant
- Proof pressures up to 12,000 psi (827 bar)



SPECIFICATIONS

STORAGE TEMPERATURE	-40 to 180°F (-40 to 82°C)
AMBIENT TEMPERATURE LIMITS	0 to 160°F (-17 to 71°C) with Buna-N construction; 0 to 180°F (-17 to 82°C) with Viton® construction; set point shifts less than 1% of range for a 50°F (28°C) ambient temperature change. Unit will operate down to -40°F (-40°C) but with reduced repeatability
MAX. MEDIA TEMPERATURE	200°F (93°C) with Buna-N sensor; 250°F (121°C) with Viton® sensor
SHOCK	Set point repeats after 50 G, 10 millisecond duration
VIBRATION	Set point repeats after 10 G, 5-500 CPS
ENCLOSURE CLASSIFICATION	Types C, D, E, F & G: Designed to meet enclosure type 4 requirements Types A & B: Not applicable
SET POINT REPEATABILITY	Models 10-12: ± 1% of span; Models 13-16: ± 1.5% of span
SWITCH OUTPUT	One SPDT
ELECTRICAL RATING	Rated to 5 A resistive and 5 A inductive (75% power factor), at 125 VAC & 250 VAC, 1/4 HP; 5 A resistive and 3 A inductive at 30 VDC; 0.5 A resistive and 0.25 A inductive at 125 VDC; gold clad silver contact for loads down to 5 mA at 6 VDC, 2 mA at 12 VDC and 1 mA at 24 VDC
ENCLOSURE	Aluminum with irridite finish
WEIGHT	Type A: 5 oz.; Type B: 6 oz.; Type C: 6.5 oz.; Type D: 6 oz.; Type E: 12 oz.; Type F: 6.5 oz.; Type G: 12 oz.
ELECTRICAL CONNECTION	7 electrical terminations; Refer to "How to Order"
PRESSURE CONNECTION	Models 10-12: 1/8" NPT (male); Models 13-16: 1/4" NPT (male); optional SAE threads and other connections (see options list)
MOUNTING	NPT (male) pressure connection. Surface mounting bracket kit available for field installation



UNITED STATES AND CANADA
UL Recognized, **cUL** Recognized
 Pressure: UL 508; CSA C22.2 No. 14-M95-File #E42272



EUROPEAN UNION
CENELEC/DEMKO A/S (N.B. #0539)
Demko A/S certified to **ATEX** Directive (94/9/EC)
 II 1 G EEx ia IIC T6, Tamb. = -50 °C to +60 °C
 EN 50014, EN 50020, EN 50284, EN 60079
 Certificate #DEMKO 03 ATEX 0335063 (must select option code M405)



CENELEC/TÜV Süddeutschland Bau und Betrieb GmbH (N.B. #0036)
TÜV certified to PED (97/23/EC)
 Category IV, Module H1 (must select option M407)
 Certificate #USA 02/04/38/001 thru USA 02/07/38/033



Compliant to LVD (73/23/EC & 93/68/EEC)
 Products rated lower than 50 VAC and 75 VDC are outside of the scope of the LVD
 The Low Voltage Directive does not apply to products for use in hazardous locations

RUSSIA
 Gosgostekhnadzor Permit (must select option code M406)
 OExia IIC T6, Tamb. = -50 °C to +60 °C
 Certificate #RRS 04-8897

MODEL CHART

Range Code	Adjustable Set Point Range		Deadband		Over Range Pressure*		Proof Pressure**	
	Low end of range on fall	High end of range on rise	Narrower deadbands may be expected at bottom of range		psi	bar	psi	bar
	psi	bar	psi	bar				
	(unless noted)							
Buna-N diaphragm and O-ring and 1/8" NPT (male) brass pressure connection								
10	4 to 50	0,3 to 3,4	1 to 6	68,9 mbar to 0,4 bar	1000	68,9	3000	206,8
11	10 to 150	0,7 to 10,3	2 to 10	0,1 to 0,7	1500	103,4	3000	206,8
12	30 to 600	2,1 to 41,4	8 to 60	0,6 to 4,1	2500	172,4	3000	206,8
Stainless steel piston, Buna-N O-ring and 1/4" NPT (male) brass pressure connection								
13	100 to 1500	6,9 to 103,4	20 to 220	1,4 to 15,2	8000	551,6	10,000	689,5
14	180 to 3000	12,4 to 206,8	50 to 400	3,4 to 27,6	8000	551,6	10,000	689,5
15	400 to 4700	27,6 to 324,1	100 to 600	6,9 to 41,4	8000	551,6	10,000	689,5
16	4000 to 7500	275,8 to 517,1	400 to 950	27,6 to 65,5	10,000	689,5	12,000	827,4

* **Over Range Pressure:** The maximum pressure that may be applied continuously without causing damage and maintaining set point repeatability.

** **Proof Pressure:** The maximum pressure to which a pressure sensor may be occasionally subjected, which causes no permanent damage. The unit may require calibration (e.g., start-up, testing).

HOW TO ORDER

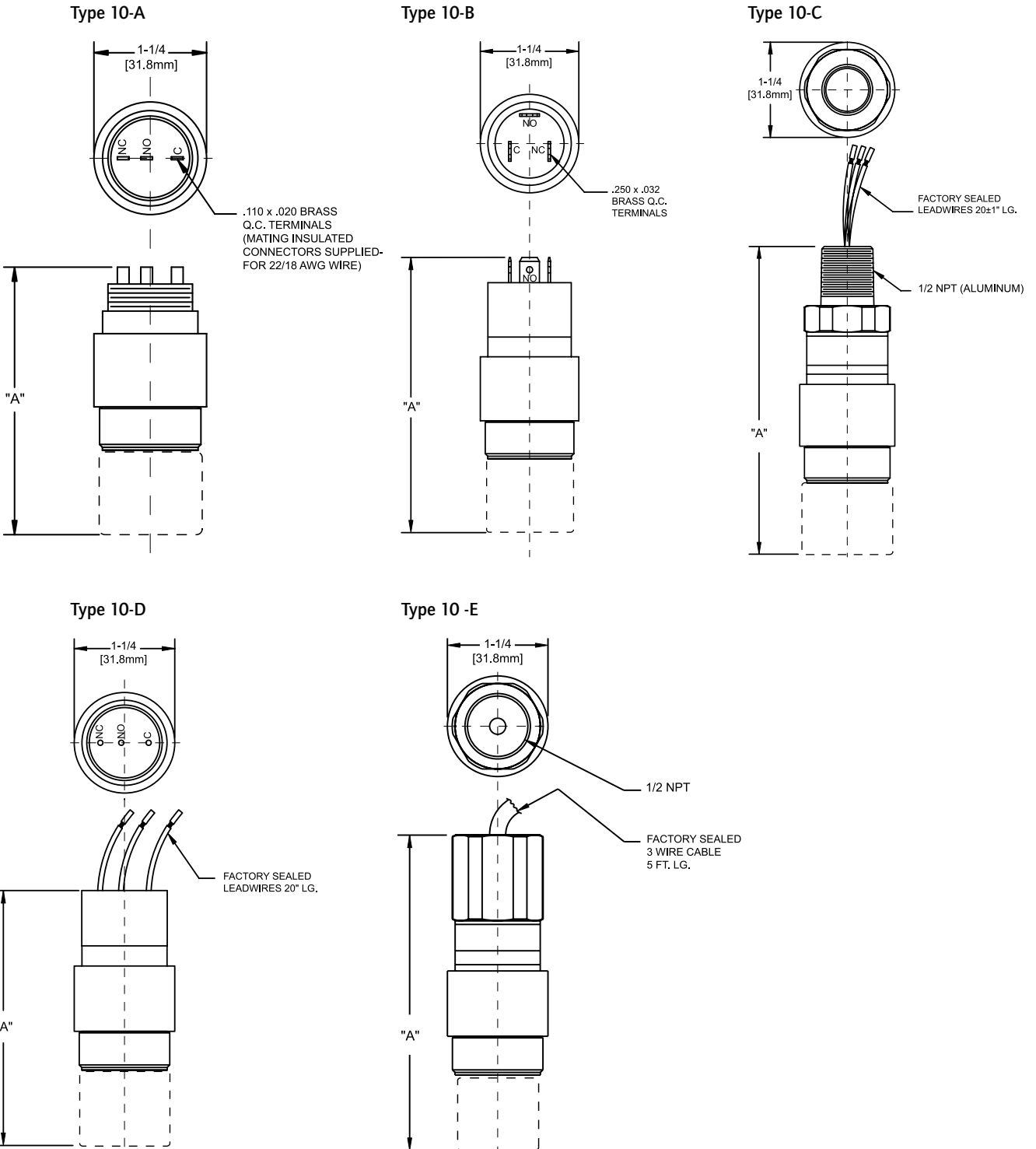
Build a part number by selecting appropriate code for each feature category. Example: 10-B11 *M201

	10	B	11	M201
	Series Designation	Electrical Termination Type	Range	Misc. Options
ORDERING CODE	DESCRIPTION			
SERIES DESIGNATION	10			
	Designation for Spectra 10 product line			
ELECTRICAL TERMINATION TYPE	A			
	0.11" push-on terminals. Mating terminals supplied			
	B			
	0.25" push-on terminals			
	C			
	NEMA 4; 1/2" NPT (male) conduit connection; 20" leads			
	D			
	NEMA 4; 20" leads			
	E			
	NEMA 4; 1/2" NPT (female) conduit connection; 5' cable			
	F			
	NEMA 4; 4 terminal DIN connector. Mating part not supplied			
	G			
	NEMA 4; 5' cable			
RANGE	10, 11, 12, 13			
	14, 15, 16			
	See model chart on page 4			
MISCELLANEOUS OPTIONS	M201			
	Factory set one switch; specify increasing or decreasing pressure and set point			
	M277			
	Range indicated on nameplate in kPa or MPa, factory selected			
	M278			
	Range indicated on nameplate in kg/cm ²			
	M405			
	European ATEX intrinsic safety compliance			
	M406			
	Russian Gosgortekhnadzor intrinsic safety compliance			
	M407			
	CE compliance to Pressure Equipment Directive (Category IV)			
	M430			
	Cover lock			
	M444			
	Paper ID Tag			
	M446			
	Stainless steel ID tag & wire attachment			
	M511			
	1/4" NPT (male) 316 stainless steel pressure connection			
	M512			
	1/4" NPT (male) brass pressure connection. NOT AVAILABLE ON MODELS 13, 14, 15, OR 16			
	M540			
	Viton® construction. Deadbands and low end of range may increase slightly (consult factory). Wetted parts include Viton® diaphragm and/or O-ring plus standard pressure connection material			
	M541			
	Ethylene propylene (EPDM) construction. Deadbands may increase slightly (consult factory). Wetted parts include EPDM diaphragm and/or O-ring plus standard pressure connection material			
	M550			
	Oxygen service cleaning; Buna-N diaphragm and/or O-ring changes to Viton®			
	M925			
	7/16-20 UNF-2A, SAE male brass pressure connection			
	M929			
	G1/2 straight pipe thread pressure connection			
	62169-26			
	Surface mounting bracket kit			
	L040			
	4' leadwire/cable. NOT AVAILABLE ON TYPES A, B, E, F, G			
	L060			
	6' leadwire/cable. NOT AVAILABLE ON TYPES A, B, F			
	L080			
	8' leadwire/cable. NOT AVAILABLE ON TYPES A, B, F			
	L100			
	10' leadwire/cable. NOT AVAILABLE ON TYPES A, B, F			

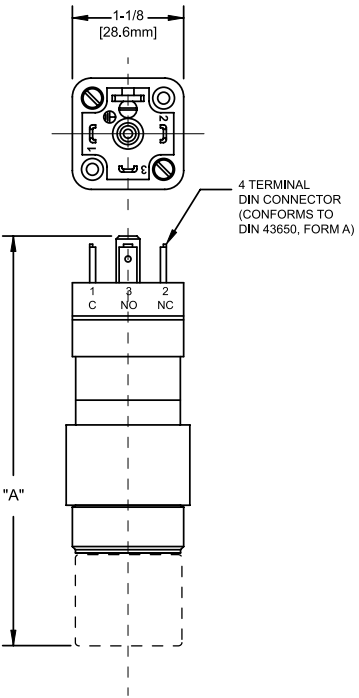
Viton® is a registered trademark of E.I. DuPont Company

DIMENSIONAL DRAWINGS

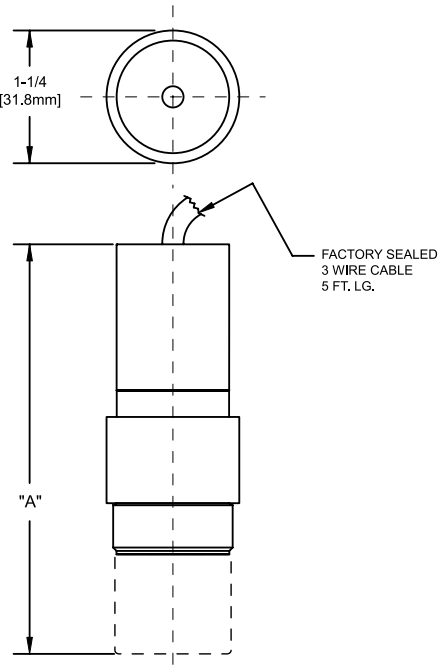
Dimensional drawings for all models may be found at www.ueonline.com



Type 10-F



Type 10-G

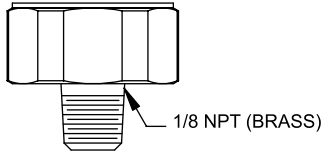


"A" Dimension Chart			
Models	Inches	mm	NPT
A10-12	3.00	76.2	1/8"
A13-16	3.31	84.1	1/4"
B10-12	3.50	88.9	1/8"
B13-16	3.81	96.8	1/4"
C10-12	4.06	103.2	1/8"
C13-16	4.38	111.1	1/4"
D10-12	3.19	81.0	1/8"
D13-16	3.50	88.9	1/4"
E10-12	3.94	100.0	1/8"
E13-16	4.25	108.0	1/4"
F10-12	4.13	104.8	1/8"
F13-16	4.44	112.7	1/4"
G10-12	3.88	98.4	1/8"
G13-16	4.19	106.4	1/4"

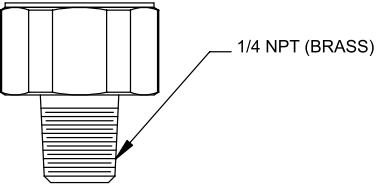
NOTE: For full size drawings, please visit our web site @www.ueonline.com

PRESSURE CONNECTION DETAILS

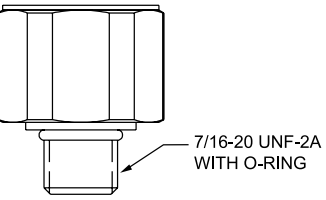
Model 10-12



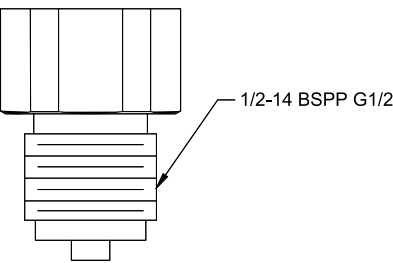
Model 13-16



Option M925



Option M929



RECOMMENDED PRACTICES AND WARNINGS

United Electric Controls Company recommends careful consideration of the following factors when specifying and installing UE pressure and temperature units. Before installing a unit, the Installation and Maintenance instructions provided with unit must be read and understood.

- To avoid damaging unit, proof pressure and maximum temperature limits stated in literature and on nameplates must never be exceeded, even by surges in the system. Operation of the unit up to maximum pressure or temperature is acceptable on a limited basis (e.g., start-up, testing) but continuous operation must be restricted to the designated adjustable range. Excessive cycling at maximum pressure or temperature limits could reduce sensor life.
- A back-up unit is necessary for applications where damage to a primary unit could endanger life, limb or property. A high or low limit switch is necessary for applications where a dangerous runaway condition could result.
- The adjustable range must be selected so that incorrect, inadvertent or malicious setting at any range point cannot result in an unsafe system condition.
- Install unit where shock, vibration and ambient temperature fluctuations will not damage unit or affect operation. When applicable, orient unit so that moisture does not enter the enclosure via the electrical connection. When appropriate, this entry point should be sealed to prevent moisture entry.
- Unit must not be altered or modified after shipment. Consult UE if modification is necessary.
- Monitor operation to observe warning signs of possible damage to unit, such as drift in set point or faulty display. Check unit immediately.
- Preventative maintenance and periodic testing is necessary for critical applications where damage could endanger property or personnel.
- Electrical ratings stated in literature and on nameplate must not be exceeded. Overload on a switch can cause damage, even on the first cycle. Wire unit according to local and national electrical codes, using wire size recommended in installation sheet.
- Do not mount unit in ambient temp. exceeding published limits.

LIMITED WARRANTY

Seller warrants that the product hereby purchased is, upon delivery, free from defects in material and workmanship and that any such product which is found to be defective in such workmanship or material will be repaired or replaced by Seller (Ex-works, Factory, Watertown, Massachusetts. INCOTERMS); provided, however, that this warranty applies only to equipment found to be so defective within a period of 24 months from the date of manufacture by the Seller. Seller shall not be obligated under this warranty for alleged defects which examination discloses are due to tampering, misuse, neglect, improper storage, and in any case where products are disassembled by anyone other than authorized Seller's representatives. EXCEPT FOR THE LIMITED WARRANTY OF REPAIR AND REPLACEMENT STATED ABOVE, SELLER DISCLAIMS ALL WARRANTIES WHATSOEVER WITH RESPECT TO THE PRODUCT, INCLUDING ALL IMPLIED WARRANTIES OF MERCHANTABILITY OR FITNESS FOR ANY PARTICULAR PURPOSE.

LIMITATION OF SELLER'S LIABILITY

Seller's liability to Buyer for any loss or claim, including liability incurred in connection with (i) breach of any warranty whatsoever, expressed or implied, (ii) a breach of contract, (iii) a negligent act or acts (or negligent failure to act) committed by Seller, or (iv) an act for which strict liability will be inputted to seller, is limited to the "limited warranty" of repair and/or replacement as so stated in our warranty of product. In no event shall the Seller be liable for any special, indirect, consequential or other damages of a like general nature, including, without limitation, loss of profits or production, or loss or expenses of any nature incurred by the buyer or any third party.

UE specifications subject to change without notice.

U.S. SALES OFFICES

United Electric Controls
32 Highland Rd.
South Hampton, NH 03827
Phone: 603-394-0078
FAX: 603-394-0175

United Electric Controls
28 N. Wise Ave.
Freeport, IL 61032
Phone: 815-235-3501
FAX: 815-235-3847

United Electric Controls
1022 Vineyard Drive
Conyers, GA 30013
Phone: 770-483-8400
FAX: 770-929-8716

United Electric Controls
5829 Grazing Court
Mason, OH 45040
Phone: 513-398-3175
FAX: 513-398-3076

United Electric Controls
102 Salazar Court
Clayton, CA 94517
Phone: 925-524-0210
FAX: 925-524-0210

United Electric Controls
27 Summit Terrace
Sparta, NJ 07871
Phone: 973-271-2550
FAX: 973-729-6099

United Electric Controls
12630 Summerwood Glen
Houston, TX 77041
Phone: 832-243-0119
FAX: 832-243-0140

CANADA

EASTERN
68 Mosley Crescent
Brampton, Ontario
Canada L6Y 5C8
Phone: 905-455-5131
FAX: 905-455-5131

INTERNATIONAL OFFICES

BELGIUM
United Electric Controls-Europe
G. Van Gervenstraat 19A
B-9120 Beveren-Waas, Belgium
Phone: 32-37554-383
FAX: 32-37552-747

CHINA
United Electric Controls
Room 1114, No. 511
Shenshi Building
Weihai Road
Shanghai 200041, P.R. China
Phone: +8621-6255 8059
FAX: +8621-6255 8349

GERMANY
United Electric Controls
An Der Zentlinde 21
D-64711 Erbach, Germany
Phone: 496-062-7400
FAX: 496-062-7501

MALAYSIA
United Electric Controls, Far East
No. 1-2-2, 2nd Floor
Jalan 4/101C
Cheras Business Centre
Batu 5, Jalan Cheras
56100 Kuala Lumpur, Malaysia
Phone: 603-9133-4122
FAX: 603-9133-4155

RUSSIA
United Electric Controls, Moscow
Alyabyeva str., 4-1-4
Moscow, 121309, Russia
Phone: +7 (095) 792-88-06
FAX: +7 (095) 142-34-60

WESTERN
148 Silver Ridge Close N.W.
Calgary, Alberta
Canada T3B 3T4
Phone: 403-247-3724
FAX: 403-247-3724



UNITED ELECTRIC
CONTROLS

180 Dexter Avenue, P.O. Box 9143
Watertown, MA 02471-9143 USA
Telephone: 617 926-1000 Fax: 617 926-2568
<http://www.ueonline.com>

FGS3.5K1204