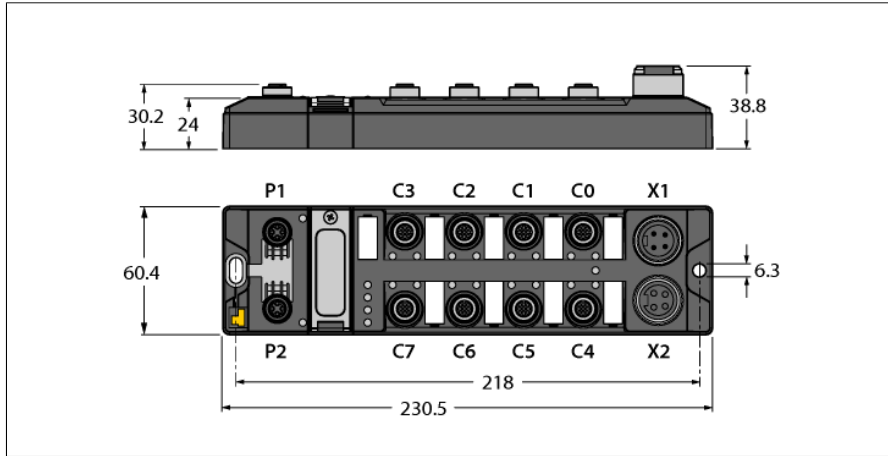


Compact Multiprotocol I/O Module for Ethernet
16 Digital PNP Inputs
TBEN-L4-16DIP



- PROFINET® device, EtherNet/IP™ device or Modbus® TCP slave
- Integrated Ethernet switch
- Supports 10 Mbps/100 Mbps
- 2x M12, 4-pin, D-coded, Ethernet fieldbus connection
- Glass fiber reinforced housing
- Shock and vibration tested
- Fully potted module electronics
- Protection classes IP65, IP67, IP69K
- 7/8" connector for power supply, 4-pin
- Input diagnostics per port
- FLC/ARGEE programmable

Type designation	TBEN-L4-16DIP
Ident-No.	6814009

Supply	
Supply voltage	24 VDC
Admissible range	18...30 VDC
	Total current max. 9 A per voltage group V1
Voltage supply connection	4-pin male 7/8" connector X1
Sensor/Actuator supply V _{AUX1}	supply of ports C0-C7 from V1
	short-circuit proof, 120 mA per port
Electrical isolation	galvanic isolation of the voltage groups V1 and V2, voltages up to 500 VAC

System data	
Fieldbus transmission rate	10 Mbps/100 Mbps
Fieldbus connection technology	2 x M12, 4-pin, D-coded
Protocol detection	automatic
Web server	Default: 192.168.1.254
Service interface	Ethernet via P1 or P2

Field Logic Controller (FLC)	
Supported from firmware version	3.2.9.0
Released from ARGEE version	2.0.24.0

Modbus TCP	
Addressing	Static IP, BOOTP, DHCP
Supported function codes	FC1, FC2, FC3, FC4, FC5, FC6, FC15, FC16, FC23
Number of TCP connections	8
Input register start address	0 (0x0000 hex)
Output register start address	2048 (0x0800 hex)

EtherNet/IP™	
Addressing	acc. to EtherNet/IP™ specification
Quick Connect (QC)	< 150 ms
Device Level Ring (DLR)	supported
Class 3 connections	3
Class 1 connections	10
Input Assembly Instance	103
Output Assembly Instance	104
Configuration Assembly Instance	106

PROFINET	
Addressing	DCP
Conformance class	B (RT)
MinCycleTime	1 ms
Fast Start-Up (FSU)	< 150 ms
Diagnostics	acc. to PROFINET alarm handling
Topology detection	supported
Automatic addressing	supported
Media Redundancy Protocol (MRP)	supported

Compact Multiprotocol I/O Module for Ethernet

16 Digital PNP Inputs

TBEN-L4-16DIP



Digital inputs

Number of channels	16
Connectivity inputs	M12, 5-pin
Input type	PNP
Type of input diagnostics	Group diagnostics
Switching hreshold	EN 61131-2 Typ 3, PNP
Low level signal voltage	< 5 V
High level signal voltage	> 11 V
Low level signal current	< 1.5 mA
High level signal current	> 2 mA
Input delay	2.5 ms
Electrical isolation	galvanic isolation to P1/P2 , voltages up to 500 VDC

Standard/Directive conformity

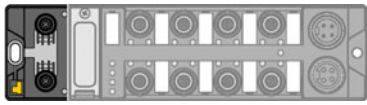
Vibration test	acceleration to 20 g acc. to EN 60068-2-6
Shock test	acc. to EN 60068-2-27
Drop and topple	acc. to EN 60068-2-31/IEC 60068-2-32
Electromagnetic compatibility	acc. to EN 61131-2
Approvals and certificates	CE, FCC
UL conditions	cULus LISTED 21 W2, Encl.Type 1 IND.CONT.EQ.

General Information

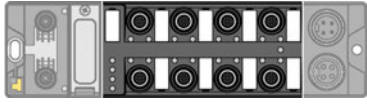
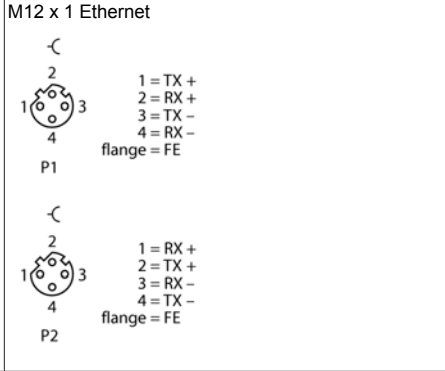
Dimensions (W x L x H)	60.4 x 230.4 x 39mm
Operating temperature	-40...+70 °C
Storage temperature	-40...+85 °C
Altitude	max. 5000 m
Protection class	IP65 IP67 IP69K
MTTF	205 years acc. to SN 29500 (Ed. 99) 20 °C
Housing material	PA6-GF30
Housing color	Black
Window material	Lexan
Material screw	303 stainless steel
Material label	Polycarbonate
Halogen-free	yes
Mounting	2 mounting holes □ 6 3 mm

Note the numbering of the IO range:
From firmware version 3.2.9.0 and higher ports C0 to C7 and channels CH0 to CH15 are counted. The process data image is unchanged. For more details on the corresponding change see manual.

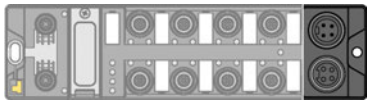
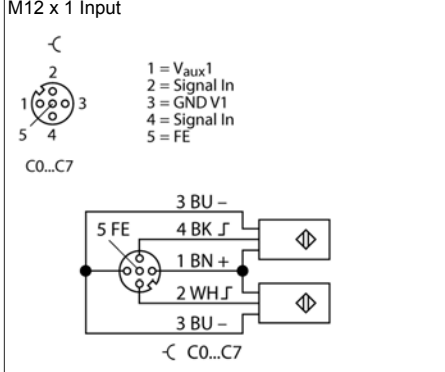
Compact Multiprotocol I/O Module for Ethernet
16 Digital PNP Inputs
TBEN-L4-16DIP



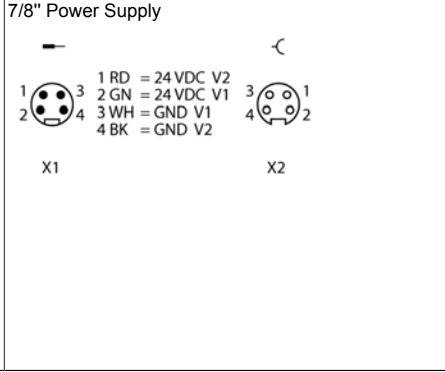
Accessories
 Ethernet cable (example):
 RSSD RSSD 441-2M
 Ident no. U-02482



Accessories
 Accessories:
 Connection cable , 2-channel (example):
 RK 4.4T-2-RS 4.4T
 Ident no. U2445
 Splitter, 1-channel (example):
 YB2-FSM 4.5-2FKM 4.5
 Ident no. U0875-78



Accessories
 Power supply cable (example):
 RSM RKM 40-2M
 Ident no. U2280-0



Compact Multiprotocol I/O Module for Ethernet
16 Digital PNP Inputs
TBEN-L4-16DIP



Module LED Status

LED	Color	Status	Description
ETH1 / ETH2	Green	ON	Ethernet link (100 Mbps)
		flashing	Ethernet communication (100 Mbps)
	Yellow	ON	Ethernet link (10 Mbps)
		flashing	Ethernet communication (10 Mbps)
		OFF	No Ethernet link
BUS	Green	ON	Active connection to a master
		Flashing	Steady flashing: Ready Sequence of 3 flashes in 2 seconds: FLC/ARGEE active
	Red	ON	IP address conflict or Restore Mode or Modbus timeout
		Flashing	Blink/Wink command active
	Green/red	Alternating	Autonegotiation and/or waiting for DHCP/Boot-P addressing
	OFF	Power off	
ERR	Green	ON	Diagnostics disabled
	Red	ON	Diagnostics enabled V ₁ undervoltage diagnosis is parameter-dependent
PWR	Green	ON	Power supply V ₁ OK
		OFF	V ₁ power off or below defined tolerance of 18 V

LED Status I/O

LED	Color	Status	Description
LED 0 ... 15	Green	ON	Input active
		flashing	Power overload at the corresponding port. Both port LEDs are flashing.
		OFF	Input inactive

Compact Multiprotocol I/O Module for Ethernet

16 Digital PNP Inputs

TBEN-L4-16DIP



Process Data Mapping of the Single Protocols

For more details on the corresponding protocols see manual.

Modbus TCP Register Mapping

	Reg	Bit 15	Bit 14	Bit 13	Bit 12	Bit 11	Bit 10	Bit 9	Bit 8	Bit 7	Bit 6	Bit 5	Bit 4	Bit 3	Bit 2	Bit 1	Bit 0
Inputs (RO)	0x0000	DI15 C7P2	DI14 C7P4	DI13 C6P2	DI12 C6P4	DI11 C5P2	DI10 C5P4	DI9 C4P2	DI8 C4P4	DI7 C3P2	DI6 C3P4	DI5 C2P2	DI4 C2P4	DI3 C1P2	DI2 C1P4	DI1 C0P2	DI0 C0P4
Status (RO)	0x0001	-	FCE	-	-	CFG	COM	V1	-	V2	-	-	-	-	-	-	Diag Warn
Diag (RO)	0x0002	-	-	-	-	-	-	-	-	-	-	-	-	-	-	-	I/O Diag
I/O Diag (RO)	0xA000									SCS7	SCS6	SCS5	SCS4	SCS3	SCS2	SCS1	SCS0

EtherNet/IP™ data mapping with activated scheduled diagnostics, default settings

	Word	Bit 15	Bit 14	Bit 13	Bit 12	Bit 11	Bit 10	Bit 9	Bit 8	Bit 7	Bit 6	Bit 5	Bit 4	Bit 3	Bit 2	Bit 1	Bit 0
Input data (station -> scanner)																	
GW status	0	-	FCE	-	-	CFG	COM	V1	-	V2	-	-	-	-	-	-	Diag Warn
Inputs	1	DI15 C7P2	DI14 C7P4	DI13 C6P2	DI12 C6P4	DI11 C5P2	DI10 C5P4	DI9 C4P2	DI8 C4P4	DI7 C3P2	DI6 C3P4	DI5 C2P2	DI4 C2P4	DI3 C1P2	DI2 C1P4	DI1 C0P2	DI0 C0P4
Diag 1	2	-	-	Sched Diag	-	-	-	-	-	-	-	-	-	-	-	-	I/O Diag
Diag 2	3									SCS7	SCS6	SCS5	SCS4	SCS3	SCS2	SCS1	SCS0

EtherNet/IP™ data mapping with activated summarized diagnostics

	Word	Bit 15	Bit 14	Bit 13	Bit 12	Bit 11	Bit 10	Bit 9	Bit 8	Bit 7	Bit 6	Bit 5	Bit 4	Bit 3	Bit 2	Bit 1	Bit 0
Input data (station -> scanner)																	
GW status	0	-	FCE	-	-	CFG	COM	V1	-	V2	-	-	-	-	-	-	Diag Warn
Inputs	1	DI15 C7P2	DI14 C7P4	DI13 C6P2	DI12 C6P4	DI11 C5P2	DI10 C5P4	DI9 C4P2	DI8 C4P4	DI7 C3P2	DI6 C3P4	DI5 C2P2	DI4 C2P4	DI3 C1P2	DI2 C1P4	DI1 C0P2	DI0 C0P4
Diag 1	2																I/O Diag

PROFINET process data

	Byte	Bit 7	Bit 6	Bit 5	Bit 4	Bit 3	Bit 2	Bit 1	Bit 0
Inputs	0	DI8 C4P2	DI7 C4P4	DI6 C3P2	DI5 C3P4	DI4 C2P2	DI3 C2P4	DI2 C1P2	DI1 C1P4
	1	DI16 C8P2	DI15 C8P4	DI14 C7P2	DI13 C7P4	DI12 C6P2	DI11 C6P4	DI10 C5P2	DI9 C5P4

Key:

DIx	Digital input channel x	CFG	I/O Configuration error
DOx	Digital output channel x	FCE	I/O-ASSISTANT Force Mode active
Cx	Port x	I/ODiag	I/O diagnostics connected
Px	Pin x	SchedDiag	Manufacturer-specific diagnostics configured and active
DiagWarn	Diagnostic at least on 1 channel	SCSx	Short-circuit at port x
V1	Undervoltage V1	SCG1	Short-circuit supply ports C0-C3
V2	Undervoltage V2	SCG2	Short-circuit supply ports C4-C7
COM	Communication error on internal module bus	SCOx	Short-circuit output channel x