



S7-P 2-Pole Printed Circuit

S7-PO 2-Pole Printed Circuit with Flange

S9-P 4-Pole Printed Circuit

S9-PO 4-Pole Printed Circuit with Flange



S7-P



S7-PO



S9-PO



S9-P

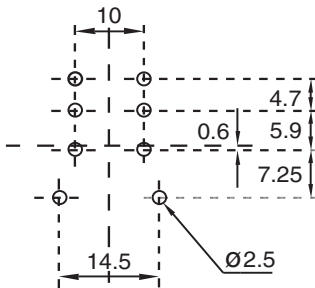
Specifications

Nominal Load 10 A/250 V
Dielectric Strength Adjacent Pin 2.5 KV

Specifications

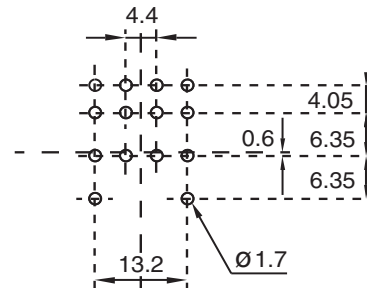
Nominal Load 6 A/250 V
Dielectric Strength Adjacent Pin 2.5 KV

Printed Circuit Lay-Out



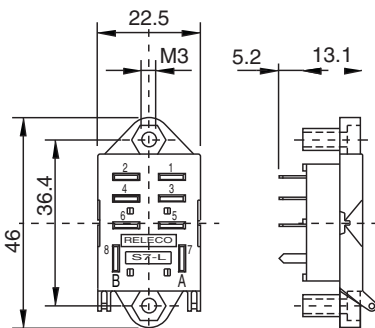
Dimensions - mm

Printed Circuit Lay-Out

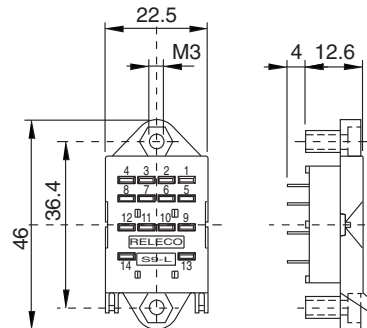


Dimensions - mm

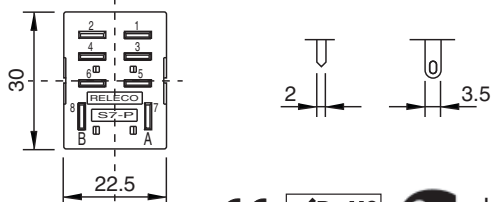
S7-PO



S9-PO



S7-P



S9-P

