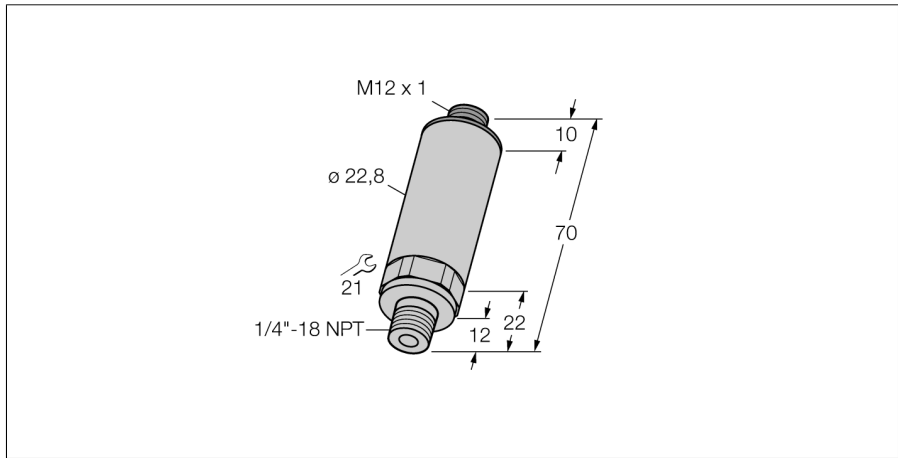
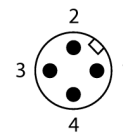
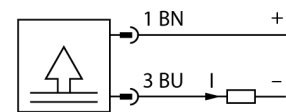


with current output (2-wire)
PT30PSIG-13-LI3-H1131



- Compact and robust design
- Pressure connection with integrated peak pressure aperture
- Minimum influence of temperature on accuracy within the entire temperature range of -40...+125°C
- Excellent EMC properties
- Pressure range 0...30 psi rel.

Wiring Diagram



Type designation PT30PSIG-13-LI3-H1131
Ident-No. 6831457

Pressure range
 Relative pressure 0...2.07 bar rel.
 0...30 psi
 0...0.207 MPa
 Admissible overpressure ≤ 6.2 bar
 Burst pressure ≥ 6.2 bar
 Response time < 2 ms, typ. 1 ms

Power supply
 Operating voltage 8...33 VDC
 Current consumption ≤ 20 mA
 Protective measure SELV according to EN 50178
 Short-circuit/reverse polarity protection yes / yes
 Protection type and class IP67 / III

Outputs
 Output 1 Analog output

Analog output
 Current output 4...20 mA
 Operating range 4...20 mA (2-wire)
 Load ≤ 1 kΩ
 Accuracy LHR analog output ± 0.3 % FS BSL
 Calibration accuracy 0-point 0.3 % FS
 Calibration accuracy full scale 0.3 % FS

Temperature behaviour
 Medium temperature -40...+125 °C
 Temperature coefficient zero point Tk0 ± 0.15 % of full scale/10 K
 Temperature coefficient span T_{is} ± 0.15 % of full scale/10 K

Ambient conditions
 Ambient temperature -40...+85 °C
 Storage temperature -40...+85 °C
 Vibration resistance 20 x g (9...2000 Hz, 2...9 Hz with an amplitude +/-15 mm), acc. to IEC 68-2-6
 Shock resistance 100 g (11 ms) , according to IEC 61508

Housing
 Housing material Stainless-steel/Plastic, V2A (1.4305)
 Pressure connection material Stainless steel A2 1.4305 (AISI 303)
 Pressure transducer material Ceramics Al₂O₃
 Sealing material FPM
 Process connection NPT 1/4"-18 male thread
 Wrench size pressure connection / coupling nut SW 21
 Electrical connection Connectors, M12 x 1
 Max. tightening torque housing nut 20 Nm

Functional principle

The pressure transmitters of the PT...-1 series operate with piezo-resistive ceramic measuring cells. The ceramic diaphragm is unbalanced in proportion to the pressure applied. Depending on the sensor type used, the processed signal is provided as an analog output signal 4...20mA (2-wire) or 0...10V (3-wire).

with current output (2-wire)
PT30PSIG-13-LI3-H1131



Reference conditions acc. to IEC 61298-1

Temperature	15...+25 °C
Atmospheric pressure	860...1060 hPa abs.
Humidity	45...75 % rel.
Auxiliary power	24 VDC

MTTF 760 years acc. to SN 29500 (Ed. 99) 40 °C