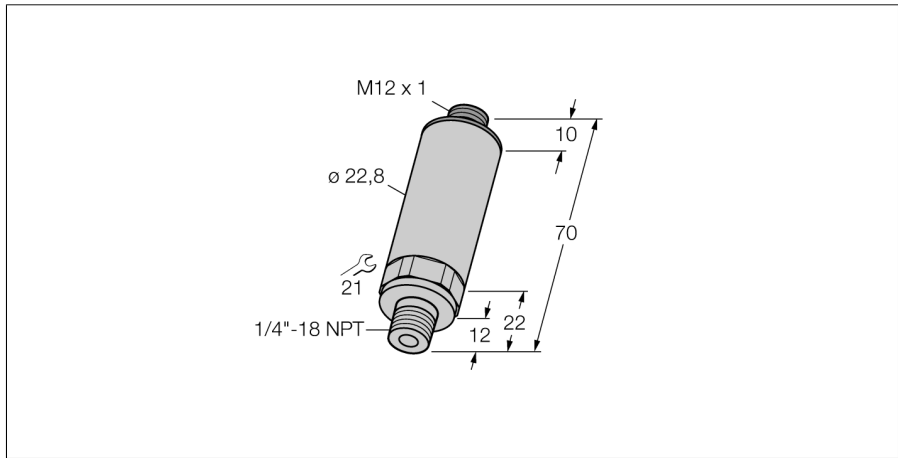
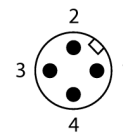
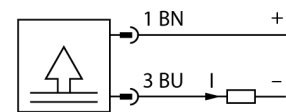


**Pressure Transmitter
with current output (2-wire)
PT3000PSIG-13-LI3-H1131**



- Compact and robust design
- Pressure connection with integrated peak pressure aperture
- Minimum influence of temperature on accuracy within the entire temperature range of -40...+125°C
- Excellent EMC properties
- Pressure range 0...3000 psi rel.

Wiring Diagram



Type designation PT3000PSIG-13-LI3-H1131
Ident-No. 6831466

Pressure range
Relative pressure 0...206.84 bar rel.
0...3000 psi
0...20.68 MPa
Admissible overpressure ≤ 517.1 bar
Burst pressure ≥ 517.1 bar
Response time < 2 ms, typ. 1 ms

Power supply
Operating voltage 8...33 VDC
Current consumption ≤ 20 mA
Protective measure SELV according to EN 50178
Short-circuit/reverse polarity protection yes / yes
Protection type and class IP67 / III

Outputs
Output 1 Analog output

Analog output
Current output 4...20 mA
Operating range 4...20 mA (2-wire)
Load ≤ 1 kΩ
Accuracy LHR analog output ± 0.3 % FS BSL
Calibration accuracy 0-point 0.3 % FS
Calibration accuracy full scale 0.3 % FS

Temperature behaviour
Medium temperature -40...+125 °C
Temperature coefficient zero point Tk0 ± 0.15 % of full scale/10 K
Temperature coefficient span T_{is} ± 0.15 % of full scale/10 K

Ambient conditions
Ambient temperature -40...+85 °C
Storage temperature -40...+85 °C
Vibration resistance 20 x g (9...2000 Hz, 2...9 Hz with an amplitude +/-15 mm), acc. to IEC 68-2-6
Shock resistance 100 g (11 ms), according to IEC 61508

Housing
Housing material Stainless-steel/Plastic, V2A (1.4305)
Pressure connection material Stainless steel A2 1.4305 (AISI 303)
Pressure transducer material Ceramics Al₂O₃
Sealing material FPM
Process connection NPT 1/4"-18 male thread
Wrench size pressure connection / coupling nut SW 21
Electrical connection Connectors, M12 x 1
Max. tightening torque housing nut 20 Nm

Functional principle

The pressure transmitters of the PT...-1 series operate with piezo-resistive ceramic measuring cells. The ceramic diaphragm is unbalanced in proportion to the pressure applied. Depending on the sensor type used, the processed signal is provided as an analog output signal 4...20mA (2-wire) or 0...10V (3-wire).

**Pressure Transmitter
with current output (2-wire)
PT3000PSIG-13-LI3-H1131**



Reference conditions acc. to IEC 61298-1

Temperature	15...+25 °C
Atmospheric pressure	860...1060 hPa abs.
Humidity	45...75 % rel.
Auxiliary power	24 VDC

MTTF 760 years acc. to SN 29500 (Ed. 99) 40 °C