



multibox® eurofast® Miniature Junction Boxes, 4-port

- Single/Dual Output per Port
- Available with or without LEDs
- Splitter Option for Dual Output
- M12 or M16 Quick Disconnect or Integral Cable

4-port, 1 Signal Per Port, 10-48 VDC

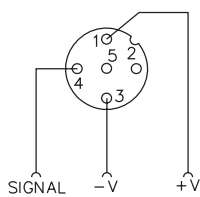
Application	Specifications	Pinout	No LEDs	PNP LED	NPN LED																				
4-port J-box 1 signal per port Integral cable	4 A/port 2 A total - 1 power pair	<table border="0"> <tr> <td><u>Function</u></td> <td><u>Color</u></td> <td><u>Function</u></td> <td><u>Color</u></td> </tr> <tr> <td>+V</td> <td>BN</td> <td>Port 1/4</td> <td>WH</td> </tr> <tr> <td>-V</td> <td>BU</td> <td>Port 2/4</td> <td>GN</td> </tr> <tr> <td>+V</td> <td>PK</td> <td>Port 3/4</td> <td>YE</td> </tr> <tr> <td>-V</td> <td>RD</td> <td>Port 4/4</td> <td>GY</td> </tr> </table>	<u>Function</u>	<u>Color</u>	<u>Function</u>	<u>Color</u>	+V	BN	Port 1/4	WH	-V	BU	Port 2/4	GN	+V	PK	Port 3/4	YE	-V	RD	Port 4/4	GY	4MBM12-4-*C	4MBM12-4P2-*C	4MBM12-4N2-*C
<u>Function</u>	<u>Color</u>	<u>Function</u>	<u>Color</u>																						
+V	BN	Port 1/4	WH																						
-V	BU	Port 2/4	GN																						
+V	PK	Port 3/4	YE																						
-V	RD	Port 4/4	GY																						
4-port J-box 1 signal per port 316 stainless steel Integral cable	4 A total - dual power Yellow PVC 8/24 AWG	<table border="0"> <tr> <td><u>Function</u></td> <td><u>Color</u></td> <td><u>Function</u></td> <td><u>Color</u></td> </tr> <tr> <td>+V</td> <td>BN</td> <td>Port 1/4</td> <td>WH</td> </tr> <tr> <td>-V</td> <td>BU</td> <td>Port 2/4</td> <td>GN</td> </tr> <tr> <td>+V</td> <td>PK</td> <td>Port 3/4</td> <td>YE</td> </tr> <tr> <td>-V</td> <td>RD</td> <td>Port 4/4</td> <td>GY</td> </tr> </table>	<u>Function</u>	<u>Color</u>	<u>Function</u>	<u>Color</u>	+V	BN	Port 1/4	WH	-V	BU	Port 2/4	GN	+V	PK	Port 3/4	YE	-V	RD	Port 4/4	GY	4MBMV12-4-*C	4MBMV12-4P2-*C	4MBMV12-4N2-*C
<u>Function</u>	<u>Color</u>	<u>Function</u>	<u>Color</u>																						
+V	BN	Port 1/4	WH																						
-V	BU	Port 2/4	GN																						
+V	PK	Port 3/4	YE																						
-V	RD	Port 4/4	GY																						
4-port J-box 1 signal per port eurofast (M12) connector	4 A/port 2 A total w/1 power pair 4 A total w/dual power 8-pin eurofast connector 8 conductors Mates with RKC 8.8T	<table border="0"> <tr> <td><u>Function</u></td> <td><u>Pin</u></td> <td><u>Function</u></td> <td><u>Pin</u></td> </tr> <tr> <td>+V</td> <td>5</td> <td>Port 1/4</td> <td>1</td> </tr> <tr> <td>-V</td> <td>7</td> <td>Port 2/4</td> <td>2</td> </tr> <tr> <td>+V</td> <td>6</td> <td>Port 3/4</td> <td>3</td> </tr> <tr> <td>-V</td> <td>8</td> <td>Port 4/4</td> <td>4</td> </tr> </table>	<u>Function</u>	<u>Pin</u>	<u>Function</u>	<u>Pin</u>	+V	5	Port 1/4	1	-V	7	Port 2/4	2	+V	6	Port 3/4	3	-V	8	Port 4/4	4	4MBM12-4-FS 8	4MBM12-4P2-FS 8	4MBM12-4N2-FS8
<u>Function</u>	<u>Pin</u>	<u>Function</u>	<u>Pin</u>																						
+V	5	Port 1/4	1																						
-V	7	Port 2/4	2																						
+V	6	Port 3/4	3																						
-V	8	Port 4/4	4																						

4-port, 1 Signal Per Port, 10-48 VDC

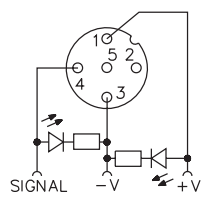
Application	Specifications	Pinout	No LEDs	PNP LED	NPN LED																												
4-port J-box 2 signals per port Integral cable	4 A/port 3 A total - 1 power pair	<table border="0"> <tr> <td><u>Function</u></td> <td><u>Color</u></td> <td><u>Function</u></td> <td><u>Color</u></td> </tr> <tr> <td>+V</td> <td>BN</td> <td>Port 2/4</td> <td>GN</td> </tr> <tr> <td>-V</td> <td>BU</td> <td>Port 2/2</td> <td>RD</td> </tr> <tr> <td>+V</td> <td>RD/BU</td> <td>Port 3/4</td> <td>YE</td> </tr> <tr> <td>-V</td> <td>GY/PK</td> <td>Port 3/2</td> <td>BK</td> </tr> <tr> <td>Port 1/4</td> <td>WH</td> <td>Port 4/4</td> <td>GY</td> </tr> <tr> <td>Port 1/2</td> <td>PK</td> <td>Port 4/2</td> <td>VT</td> </tr> </table>	<u>Function</u>	<u>Color</u>	<u>Function</u>	<u>Color</u>	+V	BN	Port 2/4	GN	-V	BU	Port 2/2	RD	+V	RD/BU	Port 3/4	YE	-V	GY/PK	Port 3/2	BK	Port 1/4	WH	Port 4/4	GY	Port 1/2	PK	Port 4/2	VT	4MBM12-5-*C	4MBM12-5P3-*C	4MBM12-5N3-*C
<u>Function</u>	<u>Color</u>	<u>Function</u>	<u>Color</u>																														
+V	BN	Port 2/4	GN																														
-V	BU	Port 2/2	RD																														
+V	RD/BU	Port 3/4	YE																														
-V	GY/PK	Port 3/2	BK																														
Port 1/4	WH	Port 4/4	GY																														
Port 1/2	PK	Port 4/2	VT																														
4-port J-box 2 signals per port 316 stainless steel Integral cable	6 A total - dual power Yellow PVC 12/24 AWG	<table border="0"> <tr> <td><u>Function</u></td> <td><u>Color</u></td> <td><u>Function</u></td> <td><u>Color</u></td> </tr> <tr> <td>+V</td> <td>BN</td> <td>Port 2/4</td> <td>GN</td> </tr> <tr> <td>-V</td> <td>BU</td> <td>Port 2/2</td> <td>RD</td> </tr> <tr> <td>+V</td> <td>RD/BU</td> <td>Port 3/4</td> <td>YE</td> </tr> <tr> <td>-V</td> <td>GY/PK</td> <td>Port 3/2</td> <td>BK</td> </tr> <tr> <td>Port 1/4</td> <td>WH</td> <td>Port 4/4</td> <td>GY</td> </tr> <tr> <td>Port 1/2</td> <td>PK</td> <td>Port 4/2</td> <td>VT</td> </tr> </table>	<u>Function</u>	<u>Color</u>	<u>Function</u>	<u>Color</u>	+V	BN	Port 2/4	GN	-V	BU	Port 2/2	RD	+V	RD/BU	Port 3/4	YE	-V	GY/PK	Port 3/2	BK	Port 1/4	WH	Port 4/4	GY	Port 1/2	PK	Port 4/2	VT	4MBMV12-5-*C	4MBMV12-5P3-*C	4MBMV12-5N3-*C
<u>Function</u>	<u>Color</u>	<u>Function</u>	<u>Color</u>																														
+V	BN	Port 2/4	GN																														
-V	BU	Port 2/2	RD																														
+V	RD/BU	Port 3/4	YE																														
-V	GY/PK	Port 3/2	BK																														
Port 1/4	WH	Port 4/4	GY																														
Port 1/2	PK	Port 4/2	VT																														
4-port J-box 2 signals per port versafast (M16) connector	4 A/port 3 A total w/1 power pair 6 A total w/dual power 14-pin versafast connector 12 conductors Mates with BKM 14-917-*	<table border="0"> <tr> <td><u>Function</u></td> <td><u>Pin/Color</u></td> <td><u>Function</u></td> <td><u>Pin/Color</u></td> </tr> <tr> <td>+V</td> <td>A/RD/BU</td> <td>Port 2/4</td> <td>E/GN</td> </tr> <tr> <td>-V</td> <td>L/GY/PK</td> <td>Port 2/2</td> <td>R/RD</td> </tr> <tr> <td>+V</td> <td>M/BN</td> <td>Port 3/4</td> <td>O/YE</td> </tr> <tr> <td>-V</td> <td>U/BU</td> <td>Port 3/2</td> <td>G/BK</td> </tr> <tr> <td>Port 1/4</td> <td>P/WH</td> <td>Port 4/4</td> <td>C/GY</td> </tr> <tr> <td>Port 1/2</td> <td>N/PK</td> <td>Port 4/2</td> <td>S/VT</td> </tr> </table>	<u>Function</u>	<u>Pin/Color</u>	<u>Function</u>	<u>Pin/Color</u>	+V	A/RD/BU	Port 2/4	E/GN	-V	L/GY/PK	Port 2/2	R/RD	+V	M/BN	Port 3/4	O/YE	-V	U/BU	Port 3/2	G/BK	Port 1/4	P/WH	Port 4/4	C/GY	Port 1/2	N/PK	Port 4/2	S/VT	4MBM12-5-BS14	4MBM12-5P3-BS14	4MBM12-5N3-BS14
<u>Function</u>	<u>Pin/Color</u>	<u>Function</u>	<u>Pin/Color</u>																														
+V	A/RD/BU	Port 2/4	E/GN																														
-V	L/GY/PK	Port 2/2	R/RD																														
+V	M/BN	Port 3/4	O/YE																														
-V	U/BU	Port 3/2	G/BK																														
Port 1/4	P/WH	Port 4/4	C/GY																														
Port 1/2	N/PK	Port 4/2	S/VT																														

Functional Wiring Diagrams

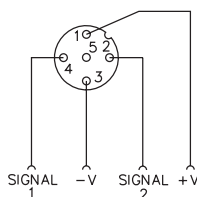
(No LED Version)
1 Signal Per Port



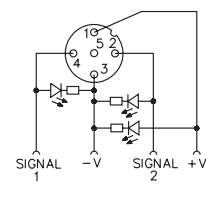
(PNP LED Version)
1 Signal Per Port



(No LED Version)
2 Signals Per Port



(PNP LED Version)
2 Signals Per Port

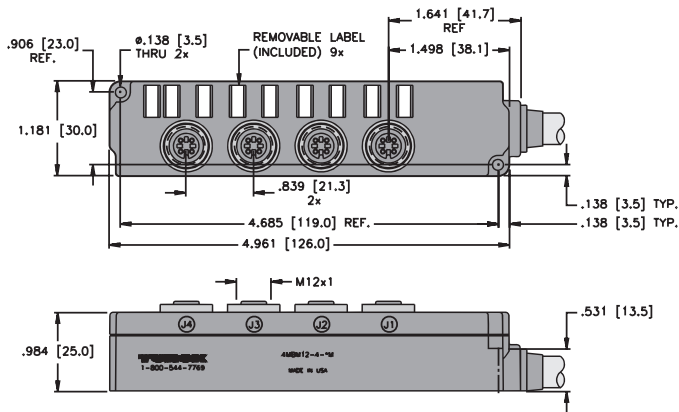


Specifications

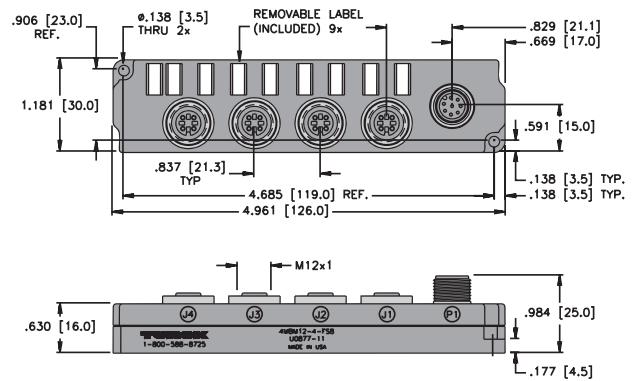
Housing:	Nylon.
Connectors:	PUR (M12), PETP (M16).
Contacts:	Gold plated brass.
Thread Inserts:	Nickel plated brass or 316 stainless steel.
Cable:	See table.
LED Current:	10 mA maximum at 48 VDC supply voltage (per LED).
Temperature:	-30°C to +80°C (-22°F to +176°F)
Protection:	NEMA 1, 3, 4, 6P and IEC IP 67.
Accessories:	KS 5/10 labels.
Cable Length:	Standard length is nominal 5 meters. Other lengths available by request - Consult factory.
Recommended Splitter:	YB2-FSM 4.5/2FKM 4.5.

Dimensions

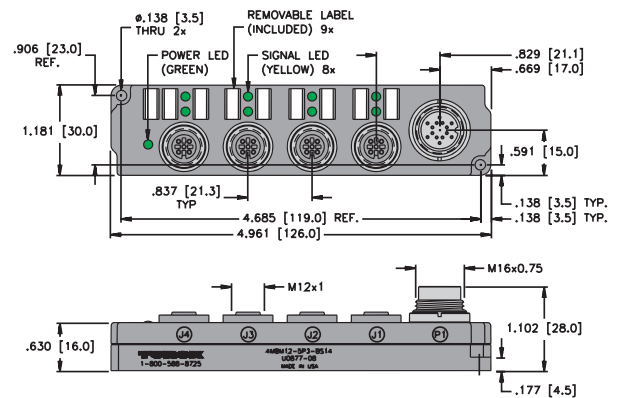
4-Port with Integral Home Run Cable



4-Port with *eurofast* Home Run Connector



4-Port with *versafast* Home Run Connector



Pinout

Female	Female	Male	Male
4-Pin <i>eurofast</i>	5-Pin <i>eurofast</i>	8-Pin <i>eurofast</i>	14-Pin <i>versafast</i>



multibox® eurofast® Low Profile Junction Boxes, 4-Port

- Single Output per port
- Rugged Plastic Housing
- Available with or without LEDs
- M23 Quick Disconnect or Integral Home Run Cable
- Threaded M12 Connection

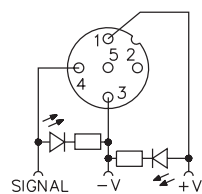
4-port, 1 Signal Per Port, 10-48 VDC

Application	Specifications	Pinout				No LEDs	PNP LED	NPN
4-port J-box 1 signal per port, Integral cable	2 A/port, 10 A total Yellow PVC cable 7/18 AWG foil shield and 20 AWG drain	<u>Function</u> +V - V Ground	<u>Color</u> BN BU GN / YE	<u>Function</u> Port 1 Port 2 Port 3 Port 4	<u>Color</u> WH GN YE GY	4MB12Z-4-*	4MB12Z-4P2-*	4MB12Z-4N2-*
4-port J-box 1 signal per port, multifast front connector	2 A/port, 10 A total 12-pin multifast connector 7 conductors Mates with CKCM 12-7-*	<u>Function</u> +V - V Ground	<u>Pin / Color</u> 11/BN 10/BU 12 / GN/YE	<u>Function</u> Port 1 Port 2 Port 3 Port 4	<u>Pin / Color</u> 1 / WH 2 / GN 3 / YE 4 / GY	4MB12Z-4-CS	4MB12Z-4P2-CS12	4MB12Z-4N2-CS12
4-port J-box 1 signal per port, multifast side exit connector	2 A/port, 10 A total 12-pin multifast connector 7 conductors Mates with CKCM 12-7-*	<u>Function</u> +V - V Ground	<u>Pin / Color</u> 1/BN 3/BU 12 / GN/YE	<u>Function</u> Port 1 Port 2 Port 3 Port 4	<u>Pin / Color</u> 1 / WH 2 / GN 3 / YE 4 / GY	4MB12Z-4-CS12H	4MB12Z-4P2-CS12H	4MB12Z-4N2-CS12H

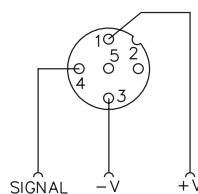
* Cable length in meters.

Functional Wiring Diagrams

**(PNP LED Version)
1 Signal Per Port**



**(No LED Version)
1 Signal Per Port**

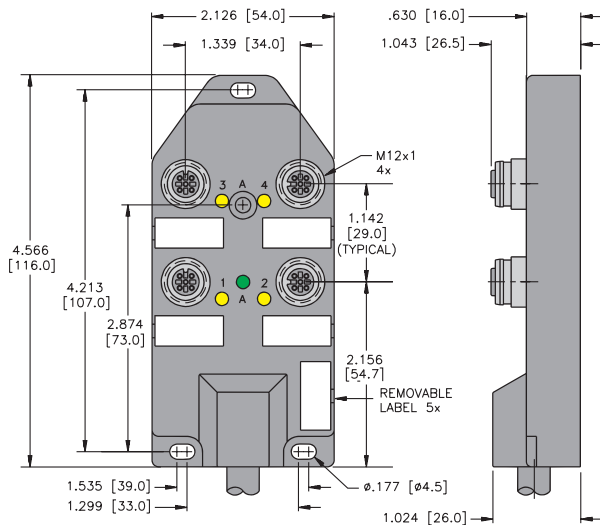


Specifications

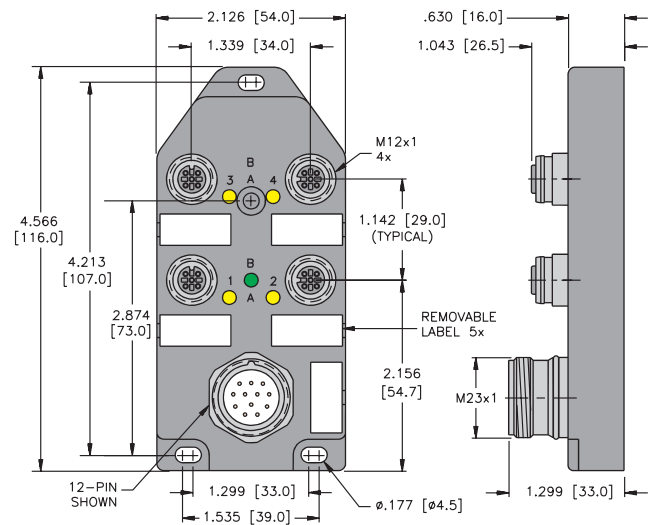
Housing:	Nylon.
Connectors:	eurofast®: Nylon or PUR, spacings to VDE 0110 Group C.
Contacts:	Gold plated brass.
Thread Inserts:	Nickel plated brass.
Cable:	See table.
LED Current:	10 mA maximum at 48 VDC supply voltage (per LED).
Temperature:	-30°C to +80°C (-22°F to +176°F)
Protection:	NEMA 1, 3, 4, 6P and IEC IP 67.
Accessories:	(2) VZ 3 closure caps and a VZ 12 label kit (5 labels) included.
Cable Length:	Standard length is nominal 5 meters. Other lengths available by request - Consult factory.
Recommended Splitters:	YB2-FSM 4.5-2 FKM 4.5.

Dimensions

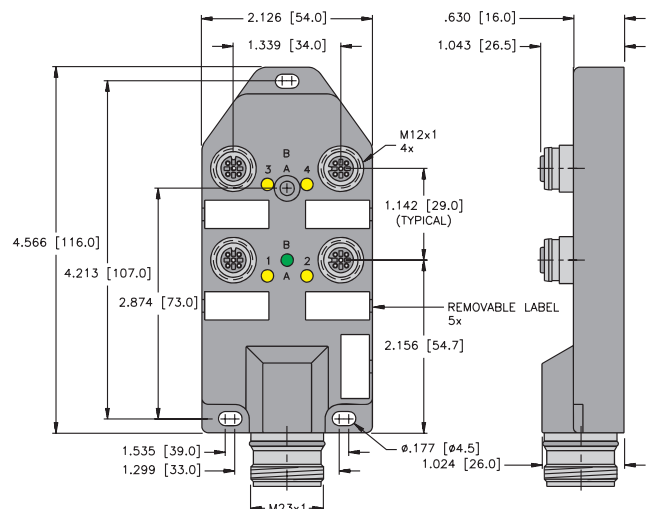
4-Port with Integral Home Run Cable



4-Port Quick Disconnect



4-Port Side Connector



Pinout

Female	Male
5-Pin eurofast	12-Pin multifast



multibox® eurofast® Low Profile Junction Boxes, 4-Port

- Single Output per port
- Rugged Plastic Housing
- Available with or without LEDs
- *minifast*® Quick Disconnect or Integral Home Run Cable with *minifast* Connector
- Threaded M12 Connection

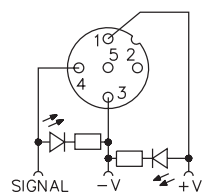
4-port, 1 Signal Per Port, 10-48 VDC

Application	Specifications	Pinout		No LEDs	PNP LEDs	NPN LEDs		
4-port J-box 1 signal per port, integral cable with <i>minifast</i> connector	2 A/port, 10 A total 12-pin <i>minifast</i> connector 7 conductors Mates with RKM 126-*M	<u>Function</u> +V - V Ground	<u>Pin / Color</u> 10 / RD 11 / WH 9 / GN	<u>Function</u> Port 1 Port 2 Port 3 Port 4	<u>Pin / Color</u> 1 / OG 2 / BU 3 / WH/BK 4 / RD/BK	4MB12Z-4-*-RSM 120	4MB12Z-4P2-*-RSM 120	4MB12Z-4N2-*-RSM 120
4-port J-box 1 signal per port, <i>minifast</i> connector	2 A/port, 10 A total 12-pin <i>minifast</i> connector 7 conductors Mates with RKM 126-*M	<u>Function</u> +V - V Ground	<u>Pin / Color</u> 10 / RD 11 / WH 9 / GN	<u>Function</u> Port 1 Port 2 Port 3 Port 4	<u>Pin / Color</u> 1 / OG 2 / BU 3 / WH/BK 4 / RD/BK	4MB12Z-4-RSF120	4MB12Z-4P2-RSF120	4MB12Z-4N2-RSF120

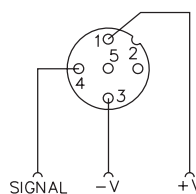
* Cable length in meters.

Functional Wiring Diagrams

**(PNP LED Version)
1 Signal Per Port**



**(No LED Version)
1 Signal Per Port**

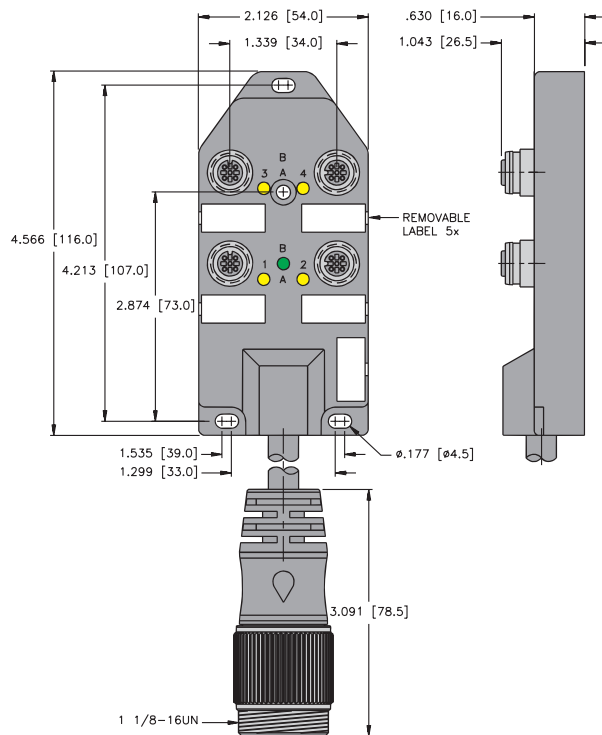


Specifications

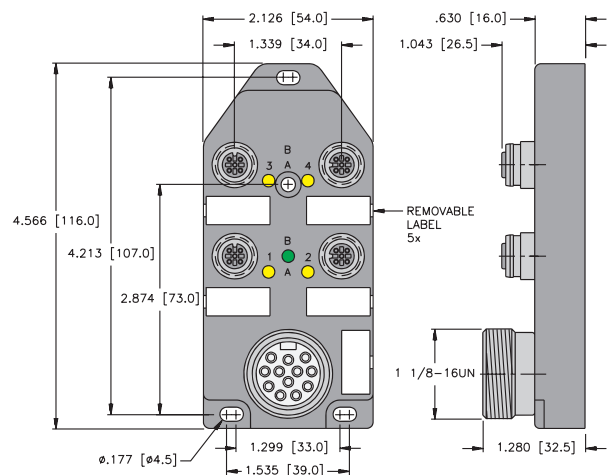
Housing:	Nylon.
Connectors:	eurofast [®] : Nylon or PUR, spacings to VDE 0110 Group C.
Contacts:	Gold plated brass.
Thread Inserts:	Nickel plated brass.
Cable:	See table.
LED Current:	10 mA maximum at 48 VDC supply voltage (per LED).
Temperature:	-30°C to +80°C (-22°F to +176°F)
Protection:	NEMA 1, 3, 4, 6P and IEC IP 67.
Accessories:	(2) VZ 3 closure caps and a VZ 12 label kit (5 labels) included.
Cable Length:	Standard length is nominal 5 meters. Other lengths available by request - Consult factory.
Recommended Splitters:	YB2-FSM 4.5-2 FKM 4.5.

Dimensions

4-Port, Integral Home Run with *minifast*[®] Connector



4-Port, *minifast* Quick Disconnect



Pinout

Female	Male
5-Pin eurofast	12-Pin minifast



multibox® eurofast® Low Profile Junction Boxes, 4-Port

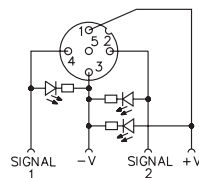
- Dual Output per port
- Rugged Plastic Housing
- Available with or without LEDs
- M23 Quick Disconnect or Integral Home Run Cable
- Threaded M12 Connection

4-port, 2 Signals Per Port, 10-48 VDC

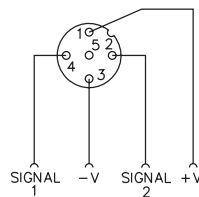
Application	Specifications	Pinout				No LEDs	PNP LED	NPN
4-port J-box 2 signals per port Integral cable	2 A/port, 10 A total Yellow PVC cable 3/18 AWG, 8/22 AWG foil shield and 20 AWG drain	<u>Function</u> +V - V Ground Port 1, Sig 1 Port 1, Sig 2	<u>Color</u> BN BU GN / YE WH GY / PK	<u>Function</u> Port 2, Sig 1 Port 2, Sig 2 Port 3, Sig 1 Port 3, Sig 2 Port 4, Sig 1 Port 4, Sig 2	<u>Color</u> GN RD / BU YE WH / GN GY BN / GN	4MB12Z-5-*	4MB12Z-5P3-*	4MB12Z-5N3-*
4-port J-box 2 signals per port multifast connector	2 A/port, 10 A total 19-pin multifast connector 11 conductors Mates with CKM 19-11-*	<u>Function</u> +V - V Ground Port 1, Sig 1 Port 1, Sig 2	<u>Pin / Color</u> 19 / BN 6 / BU 12 / GN / YE 15 / WH 7 / GY / PK	<u>Function</u> Port 2, Sig 1 Port 2, Sig 2 Port 3, Sig 1 Port 3, Sig 2 Port 4, Sig 1 Port 4, Sig 2	<u>Pin / Color</u> 5 / GN 4 / RD / BU 16 / YE 8 / WH / GN 3 / GY 14 / BN / GN	4MB12Z-5-CS19	4MB12Z-5P3-CS19	4MB12Z-5N3-CS19
4-port J-box 2 signals per port multifast , side exit connector	2 A/port, 10 A total 19-pin multifast connector 11 conductors Mates with CKM 19-11-*	<u>Function</u> +V - V Ground Port 1, Sig 1 Port 1, Sig 2	<u>Pin / Color</u> 19 / Bn 6 / Bu 12 / GN / YE 15 / WH 7 / Gy / Pk	<u>Function</u> Port 2, Sig 1 Port 2, Sig 2 Port 3, Sig 1 Port 3, Sig 2 Port 4, Sig 1 Port 4, Sig 2	<u>Pin / Color</u> 5 / GN 4 / Rd / Bu 16 / YE 8 / WH / GN 3 / Gy 14 / Bn / Gn	4MB12Z-5-CS19H	4MB12Z-5P3-CS19H	4MB12Z-5N3-CS19H

Functional Wiring Diagrams

(PNP LED Version)
2 Signals Per Port



(No LED Version)
2 Signals Per Port

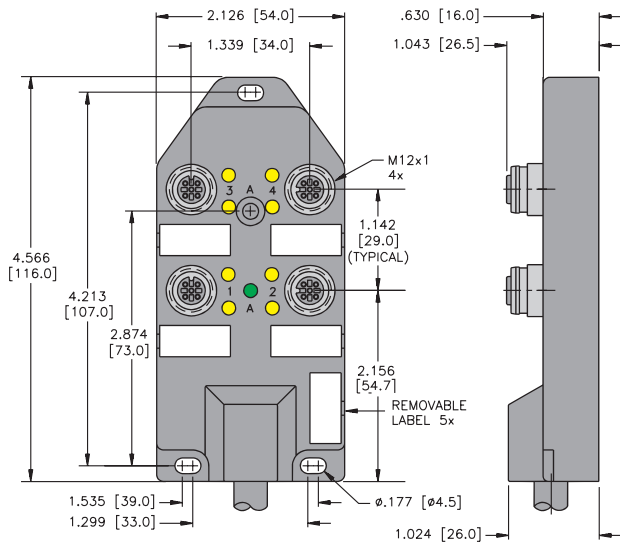


Specifications

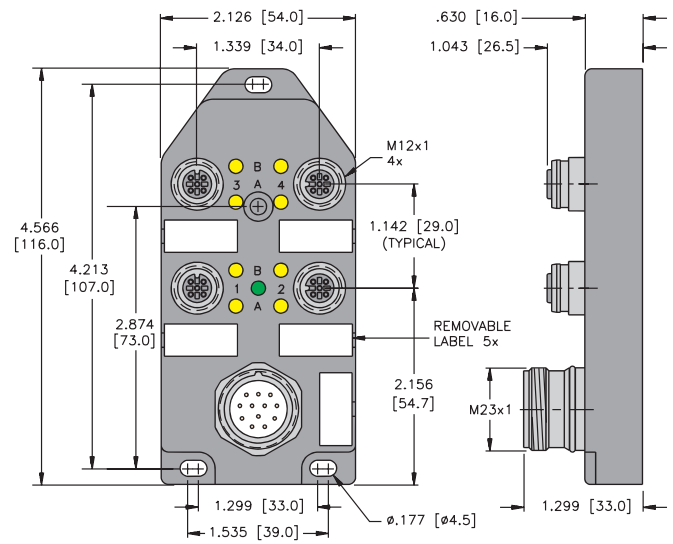
Housing:	Nylon.
Connectors:	eurofast®: Nylon or PUR, spacings to VDE 0110 Group C.
Contacts:	Gold plated brass.
Thread Inserts:	Nickel plated brass.
Cable:	See table.
LED Current:	10 mA maximum at 48 VDC supply voltage (per LED).
Temperature:	-30°C to +80°C (-22°F to +176°F)
Protection:	NEMA 1, 3, 4, 6P and IEC IP 67.
Accessories:	(2) VZ 3 closure caps and a VZ 12 label kit (5 labels) included.
Cable Length:	Standard length is nominal 5 meters. Other lengths available by request - Consult factory.
Recommended Splitters:	YB2-FSM 4.5-2 FKM 4.5.

Dimensions

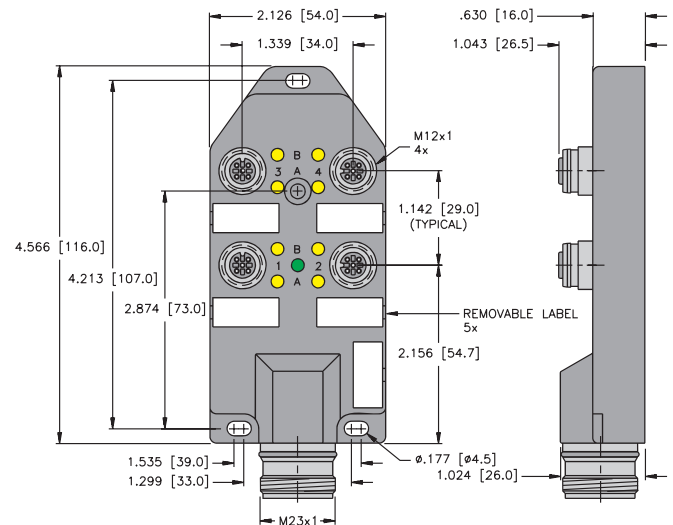
4-Port with Integral Home Run Cable



4-Port Quick Disconnect



4-Port Side Connector



Pinout

Female	Male
5-Pin eurofast	19-Pin multifastr



multibox® eurofast® Low Profile Junction Boxes

- Single Output per Port
- Rugged Plastic Housing
- Available with or without LEDs
- M23 Quick Disconnect Integral Home Run Cable
- Threaded M12 Connection

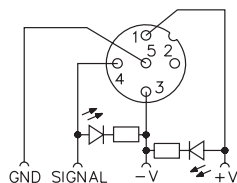
8-port, 1 Signal Per Port, 10-48 VDC

Application	Specifications	Pinout				No LEDs	PNP LED	NPN LED
8-port J-box 1 signal per port Integral cable	2 A/port, 10 A total Yellow PVC cable 11/18 AWG, foil shield and 20 AWG drain with PUR cable, add /S90	Function +V - V Ground Port 1 Port 2 Port 3	Color BN BU GN / YE WH GN YE	Function Port 4 Port 5 Port 6 Port 7 Port 8	Color GY PK RD BK VT	8MB12Z-4-*	8MB12Z-4P2-*	8MB12Z-4N2-*
8-port J-box 1 signal per port multifast connector	2 A/port, 10 A total 12-pin multifast connector 11 conductors Mates with CKCM 12-11-*	Function +V - V Ground Port 1 Port 2 Port 3	Pin / Color 11 / BN 10 / BU 12 / GN / YE 1 / WH 2 / GN 3 / YE	Function Port 4 Port 5 Port 6 Port 7 Port 8	Pin / Color 4 / GY 5 / PK 6 / RD 7 / BK 8 / VT	8MB12Z-4-CS12	8MB12Z-4P2-CS12	8MB12Z-4N2-CS12
8-port J-box 1 signal per port multifast , side exit connector	2 A/port, 10 A total 12-pin multifast connector 11 conductors Mates with CKCM 12-11-*	Function +V - V Ground Port 1 Port 2 Port 3	Pin / Color 11 / BN 10 / BU 12 / GN / YE 1 / WH 2 / GN 3 / YE	Function Port 4 Port 5 Port 6 Port 7 Port 8	Pin / Color 4 / GY 5 / PK 6 / RD 7 / BK 8 / VT	8MB12Z-4-CS12H	8MB12Z-4P2-CS12H	8MB12Z-4N2-CS12H

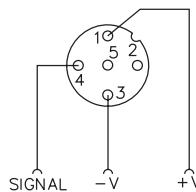
* Cable length in meters.

Functional Wiring Diagrams

**(PNP LED Version)
1 Signal Per Port**



**(No LED Version)
1 Signal Per Port**

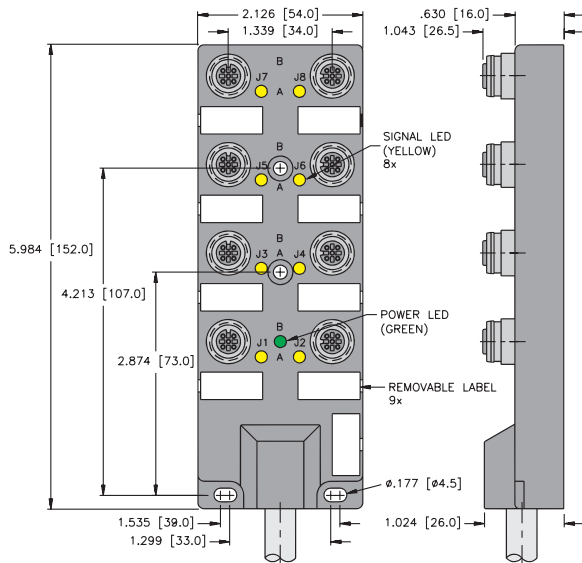


Specifications

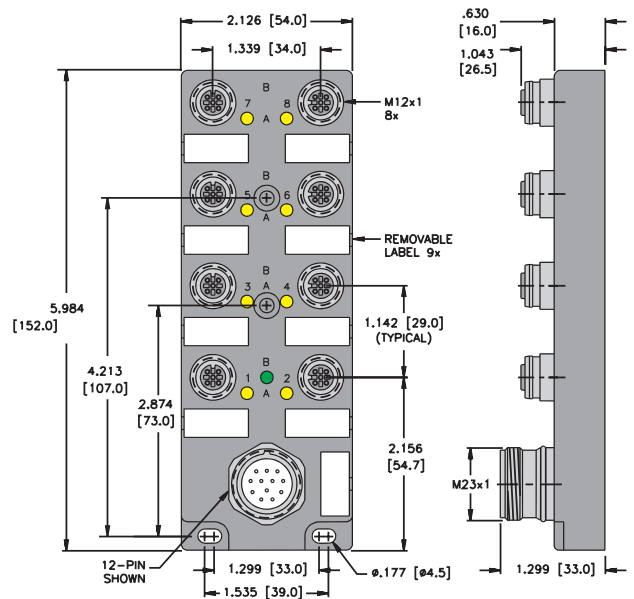
Housing:	Nylon.
Connectors:	eurofast®: Nylon or PUR, spacings to VDE 0110 Group C.
Contacts:	Gold plated brass.
Thread Inserts:	Nickel plated brass.
Cable:	See table.
LED Current:	10 mA maximum at 48 VDC supply voltage (per LED).
Temperature:	-30°C to +80°C (-22°F to +176°F)
Protection:	NEMA 1, 3, 4, 6P and IEC IP 67.
Accessories:	(2) VZ 3 closure caps and a VZ 12 label kit (9 labels), included.
Cable Length:	Standard length is nominal 5 meters. Other lengths available by request - Consult factory.
Recommended Splitter:	YB2-FSM 4.5-2 FKM 4.5.

Dimensions

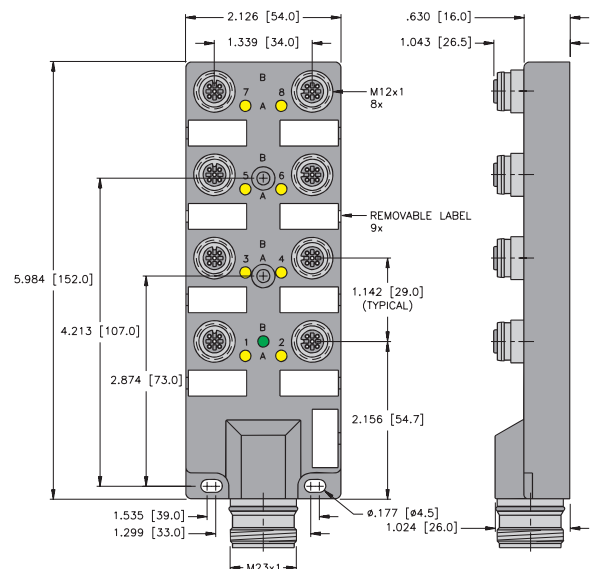
8-Port with Integral Home Run Cable



8-Port Quick Disconnect



8-Port with Side Connector



Pinout

Female	Male
5-Pin <i>eurofast</i>	12-pin <i>multfast</i>



multibox® eurofast® Low Profile Junction Boxes

- Single Output per Port
- Rugged Plastic Housing
- Available with or without LEDs
- **minifast®** Quick Disconnect or Integral Home Run Cable with **minifast** connector
- Threaded M12 Connection

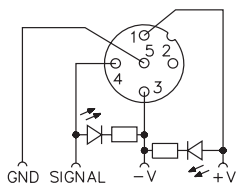
8-port, 1 Signal Per Port, 10-48 VDC

Application	Specifications	Pinout				No LEDs	PNP LEDs	NPN LEDs
8-port J-box 1 signal per port minifast connector	2 A/port, 10 A total 12-pin minifast connector 11 conductors Mates with RKM 126-*M	<u>Function</u> +V - V Ground Port 1 Port 2 Port 3	<u>Pin / Color</u> 10 / RD 11 / WH 9 / GN 1 / OG 2 / BU 3 / WH/BK	<u>Function</u> Port 4 Port 5 Port 6 Port 7 Port 8	<u>Pin / Color</u> 4 / RD/BK 5 / GN/BK 6 / OG/BK 7 / BU/BK 8 / BK/WH	8MB12Z-4-*-RSM120	8MB12Z-4P2-*-RSM120	8MB12Z-4N2-*-RSM120
8-port J-box 1 signal per port minifast connector	2 A/port, 10 A total 12-pin minifast connector 11 conductors Mates with RKM 126-*M	<u>Function</u> +V - V Ground Port 1 Port 2 Port 3	<u>Pin / Color</u> 10 / RD 11 / WH 9 / GN 1 / OG 2 / BU 3 / WH/BK	<u>Function</u> Port 4 Port 5 Port 6 Port 7 Port 8	<u>Pin / Color</u> 4 / RD/BK 5 / GN/BK 6 / OG/BK 7 / BU/BK 8 / BK/WH	8MB12Z-4-RSF120	8MB12Z-4P2-RSF120	8MB12Z-4N2-RSF120

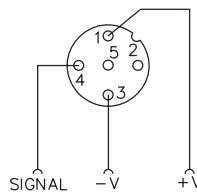
* Cable length in meters.

Functional Wiring Diagrams

**(PNP LED Version)
1 Signal Per Port**



**(No LED Version)
1 Signal Per Port**

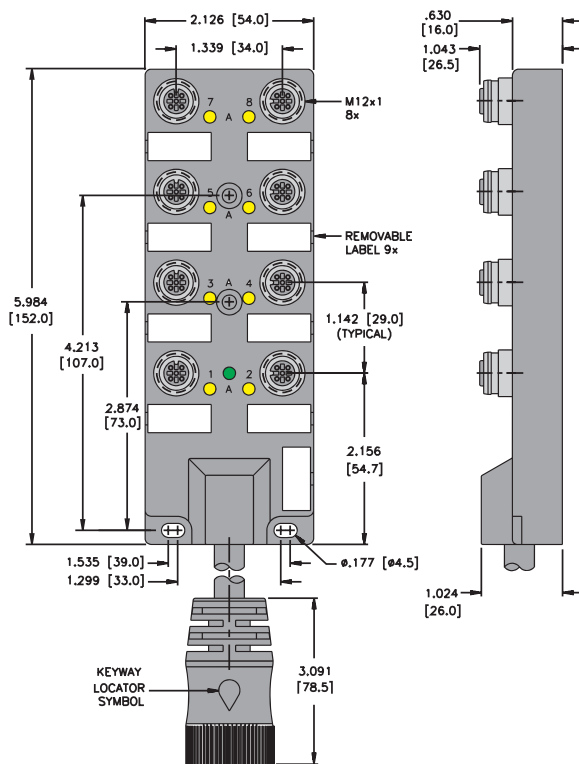


Specifications

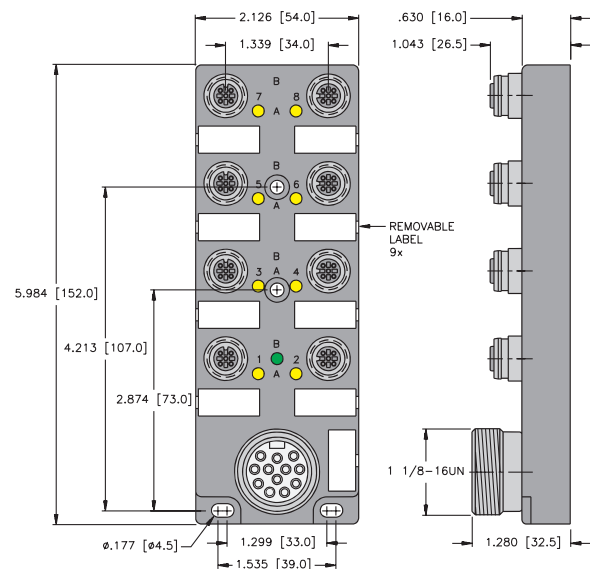
Housing:	Nylon.
Connectors:	eurofast®: Nylon or PUR, spacings to VDE 0110 Group C.
Contacts:	Gold plated brass.
Thread Inserts:	Nickel plated brass.
Cable:	See table.
LED Current:	10 mA maximum at 48 VDC supply voltage (per LED).
Temperature:	-30°C to +80°C (-22°F to +176°F)
Protection:	NEMA 1, 3, 4, 6P and IEC IP 67.
Accessories:	(2) VZ 3 closure caps and a VZ 1 label kit (8 labels), included.
Cable Length:	Standard length is nominal 5 meters. Other lengths available by request - Consult factory.
Recommended Splitter:	YB2-FSM 4.5-2 FKM 4.5.

Dimensions

8-Port Integral Home Run with *minifast*® Connector



8-Port *minifast* Quick Disconnect



Multibox, eurofast

Pinout

Female	Male
5-Pin <i>eurofast</i>	12-pin <i>minifast</i>



multibox® eurofast® Low Profile Junction Boxes

- Dual Output per Port
- Rugged Plastic Housing
- Available with or without LEDs
- M23 Quick Disconnect Integral Home Run Cable
- Threaded M12 Connection

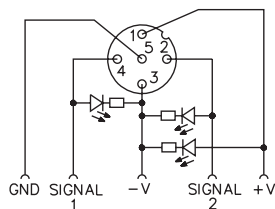
8-port, 2 Signals Per Port, 10-48 VDC

Application	Specifications	Pinout		No LEDs	PNP LED	NPN LED		
8-port J-box 2 signals per port Integral cable	2 A/port, 10 A total Yellow PVC cable 3/18 AWG, 16/22 AWG, foil shield and 20 AWG drain	<u>Function</u> +V - V Ground Port 1, Sig 1 Port 1, Sig 2 Port 2, Sig 1 Port 2, Sig 2 Port 3, Sig 1 Port 3, Sig 2	<u>Color</u> BN BU GN / YE WH GY / PK GN RD / BU YE WH / GN	<u>Function</u> Port 4, Sig 1 Port 4, Sig 2 Port 5, Sig 1 Port 5, Sig 2 Port 6, Sig 1 Port 6, Sig 2 Port 7, Sig 1 Port 7, Sig 2 Port 8, Sig 1 Port 8, Sig 2	<u>Color</u> GY BN / GN PK WH / YE RD YE / BN BK WH / GY VT GY / BN	8MB12Z-5-*	8MB12Z-5P3-*	8MB12Z-5N3-*
8-port J-box 2 signals per port multifast connector	2 A/port, 10 A total 19-pin multifast connector 19 conductors Mates with CKM 19-19-*	<u>Function</u> +V - V Ground Port 1, Sig 1 Port 1, Sig 2 Port 2, Sig 1 Port 2, Sig 2 Port 3, Sig 1 Port 3, Sig 2	<u>Pin / Color</u> 19 / BN 6 / BU 12 / GN / YE 15 / WH 7 / GY / PK 5 / GN 4 / RD / BU 16 / YE 8 / WH / GN	<u>Function</u> Port 4, Sig 1 Port 4, Sig 2 Port 5, Sig 1 Port 5, Sig 2 Port 6, Sig 1 Port 6, Sig 2 Port 7, Sig 1 Port 7, Sig 2 Port 8, Sig 1 Port 8, Sig 2	<u>Pin / Color</u> 3 / GY 14 / BN / GN 17 / PK 9 / WH / YE 2 / RD 13 / YE / BN 11 / BK 10 / WH / GY 1 / VT 18 / GY / BN	8MB12Z-5-CS19	8MB12Z-5P3-CS19	8MB12Z-5N3-CS19
8-port J-box 2 signals per port multifast , side exit connector	2 A/port, 10 A total 19-pin multifast connector 19 conductors Mates with CKM 19-19-*	<u>Function</u> +V - V Ground Port 1, Sig 1 Port 1, Sig 2 Port 2, Sig 1 Port 2, Sig 2 Port 3, Sig 1 Port 3, Sig 2	<u>Pin / Color</u> 19 / BN 6 / BU 12 / GN / YE 15 / WH 7 / GY / PK 5 / GN 4 / RD / BU 16 / YE 8 / WH / GN	<u>Function</u> Port 4, Sig 1 Port 4, Sig 2 Port 5, Sig 1 Port 5, Sig 2 Port 6, Sig 1 Port 6, Sig 2 Port 7, Sig 1 Port 7, Sig 2 Port 8, Sig 1 Port 8, Sig 2	<u>Pin / Color</u> 3 / GY 14 / BN / GN 17 / PK 9 / WH / YE 2 / RD 13 / YE / BN 11 / BK 10 / WH / GY 1 / VT 18 / GY / BN	8MB12Z-5-CS19H	8MB12Z-5P3-CS19H	8MB12Z-5N3-CS19H

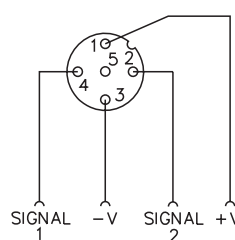
* Cable length in meters.

Functional Wiring Diagrams

**(PNP LED Version)
2 Signals Per Port**



**(No LED Version)
2 Signals Per Port**

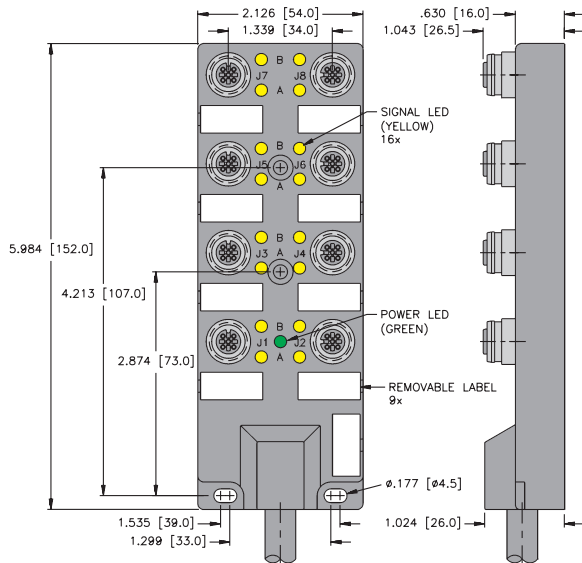


Specifications

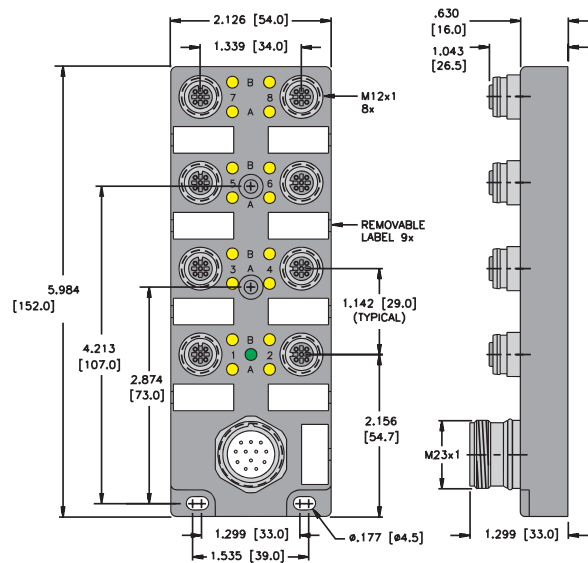
Housing:	Nylon.
Connectors:	eurofast®: Nylon or PUR, spacings to VDE 0110 Group C.
Contacts:	Gold plated brass.
Thread Inserts:	Nickel plated brass.
Cable:	See table.
LED Current:	10 mA maximum at 48 VDC supply voltage (per LED).
Temperature:	-30°C to +80°C (-22°F to +176°F)
Protection:	NEMA 1, 3, 4, 6P and IEC IP 67.
Accessories:	(2) VZ 3 closure caps and a VZ 12 label kit (9 labels), included.
Cable Length:	Standard length is nominal 5 meters. Other lengths available by request - Consult factory.
Recommended Splitter:	YB2-FSM 4.5-2FKM 4.5.

Dimensions

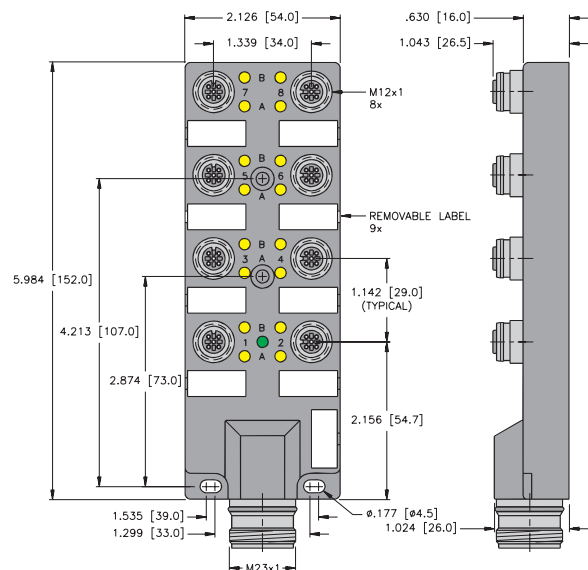
8-Port with Integral Home Run Cable



8-Port Quick Disconnect



8-Port Side Connector



Pinout

Female	Male
5-Pin eurofast	19-Pin multifast



multibox® eurofast®, Junction Boxes, 4-port Stainless Steel Connector Options

- 1 or 2 Signals Per Port
- Rugged Plastic Housing with Flush Connectors
- Available with LEDs
- Quick Disconnect or Integral Home Run Cable
- Available with Stainless Steel Threaded Connections

4-port, 1 Signal Per Port, 10-48 VDC

Application	Specifications	Pinout				Part Number
4-port J-box 1 signal per port Integral cable	4 A/port, 9 A total Yellow PVC cable** 7/18 AWG foil shield and 20 AWG drain CSA Certified **with PUR cable, add /S90	<u>Function</u> +V - V Ground	<u>Color</u> BN BU GN / YE	<u>Function</u> Port 1 Port 2 Port 3 Port 4	<u>Color</u> WH GN YE GY	4MBV12-4P2-*
4-port J-box 1 signal per port multifast connector	4 A/port, 8 A total 12-pin multifast connector 7 conductors Mates with CKCMV 12-7-* CSA Certified	<u>Function</u> +V - V Ground	<u>Pin / Color</u> 11 / BN 10 / BU 12 / GN / YE	<u>Function</u> Port 1 Port 2 Port 3 Port 4	<u>Pin / Color</u> 1 / WH 2 / GN 3 / YE 4 / GY	4MBV12-4P2-CSV12

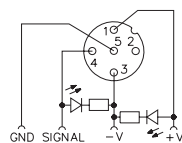
4-port, 2 Signal Per Port, 10-48 VDC

Application	Specifications	Pinout				Part Number
4-port J-box 2 signals per port Integral cable	4 A/port, 9 A total Yellow PVC cable** 3/18 AWG, 8/22 AWG foil shield and 20 AWG drain CSA Certified **with PUR cable, add /S90	<u>Function</u> +V - V Ground Port 1, Sig 1 Port 1, Sig 2	<u>Color</u> BN BU GN/YE WH GY / PK	<u>Function</u> Port 2, Sig 1 Port 2, Sig 2 Port 3, Sig 1 Port 3, Sig 2 Port 4, Sig 1 Port 4, Sig 2	<u>Color</u> GN RD / BU YE WH / GN GY BN / GN	4MBV12-5P3-*
4-port J-box 2 signals per port multifast connector	4 A/port, 8 A total 19-pin multifast connector 11 conductors Mates with CKMV 19-11-* CSA Certified	<u>Function</u> +V - V Ground Port 1, Sig 1 Port 1, Sig 2	<u>Pin / Color</u> 19 / BN 6 / BU 12 / GN/YE 15 / WH 7 / GY/PK	<u>Function</u> Port 2, Sig 1 Port 2, Sig 2 Port 3, Sig 1 Port 3, Sig 2 Port 4, Sig 1 Port 4, Sig 2	<u>Pin / Color</u> 5 / GN 4 / RD / BU 16 / YE 8 / WH / GN 3 / GY 14 / BN / GN	4MBV12-5P3-CSV19

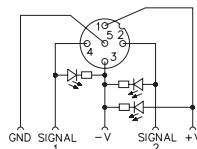
* Cable length in meters.

Functional Wiring Diagrams

(PNP LED Version)
1 Signal Per Port



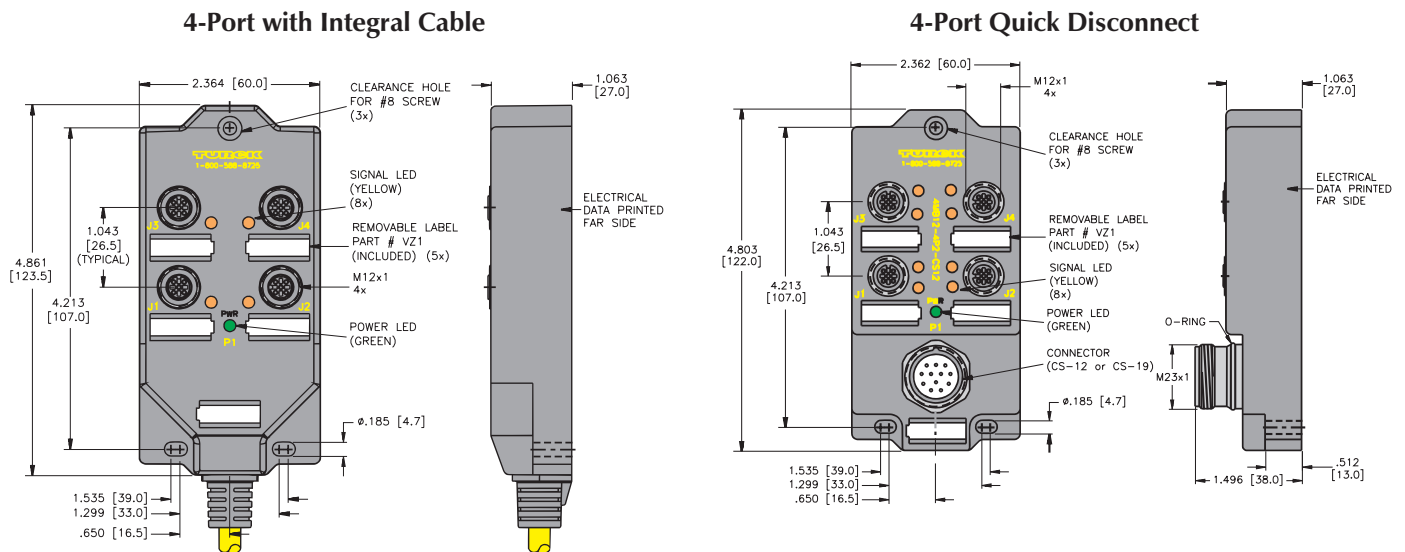
(PNP LED Version)
2 Signals Per Port



Specifications

Housing:	Nylon.
Connectors:	eurofast®: Nylon or PUR, spacings to VDE 0110 Group C.
Contacts:	Gold plated brass.
Thread Inserts:	316 stainless steel.
Cable:	See table.
LED Current:	10 mA maximum at 48 VDC supply voltage (per LED).
Temperature:	-30°C to +80°C (-22°F to +176°F)
Protection:	NEMA 1, 3, 4, 6P and IEC IP 67.
Accessories:	(2) VZ 3 closure caps and a VZ 1 label kit (8 labels) included.
Cable Length:	Standard length is nominal 5 meters. Other lengths available by request - Consult factory.
Recommended Splitter:	YB2-FSM 4.5-2 FKM 4.5

Dimensions



Pinout

Female	Male	
5-Pin eurofast	12-Pin multifast	19-Pin multifast



multibox® eurofast® 8-port Junction Boxes, Stainless Steel Connector Options

- 1 or 2 Signals Per Port
- Rugged Plastic Housing with Flush Connectors
- Available with LEDs
- Quick Disconnect or Integral Home Run Cable
- Available with Stainless Steel Threaded Connections

8-port, 1 Signal Per Port, 10-48 VDC

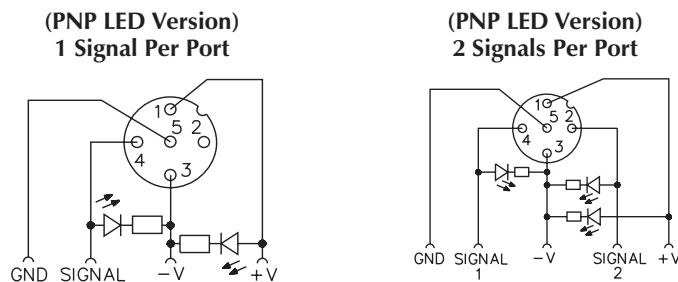
Application	Specifications	Pinout	Part Number																												
8-port J-box 1 signal per port Integral cable	4 A/port, 9 A total Yellow PVC cable** 11/18 AWG, foil shield and 20 AWG drain CSA Certified **with PUR cable, add /S90	<table style="width: 100%; border-collapse: collapse;"> <thead> <tr> <th>Function</th> <th>Color</th> <th>Function</th> <th>Color</th> </tr> </thead> <tbody> <tr> <td>+V</td> <td>Bn</td> <td>Port 4</td> <td>Cy</td> </tr> <tr> <td>- V</td> <td>Bu</td> <td>Port 5</td> <td>Pk</td> </tr> <tr> <td>Ground</td> <td>Gn/Ye</td> <td>Port 6</td> <td>Rd</td> </tr> <tr> <td>Port 1</td> <td>Wh</td> <td>Port 7</td> <td>Bk</td> </tr> <tr> <td>Port 2</td> <td>Gn</td> <td>Port 8</td> <td>Vt</td> </tr> <tr> <td>Port 3</td> <td>Ye</td> <td></td> <td></td> </tr> </tbody> </table>	Function	Color	Function	Color	+V	Bn	Port 4	Cy	- V	Bu	Port 5	Pk	Ground	Gn/Ye	Port 6	Rd	Port 1	Wh	Port 7	Bk	Port 2	Gn	Port 8	Vt	Port 3	Ye			8MBV12-4P2-*
Function	Color	Function	Color																												
+V	Bn	Port 4	Cy																												
- V	Bu	Port 5	Pk																												
Ground	Gn/Ye	Port 6	Rd																												
Port 1	Wh	Port 7	Bk																												
Port 2	Gn	Port 8	Vt																												
Port 3	Ye																														
8-port J-box 1 signal per port multifast connector	4 A/port, 8 A total 12-pin multifast connector 11 conductors Mates with CKCMV 12-11- CSA Certified	<table style="width: 100%; border-collapse: collapse;"> <thead> <tr> <th>Function</th> <th>Pin / Color</th> <th>Function</th> <th>Pin / Color</th> </tr> </thead> <tbody> <tr> <td>+V</td> <td>11 / Bn</td> <td>Port 4</td> <td>4 / Cy</td> </tr> <tr> <td>- V</td> <td>10 / Bu</td> <td>Port 5</td> <td>5 / Pk</td> </tr> <tr> <td>Ground</td> <td>12 / Gn / Ye</td> <td>Port 6</td> <td>6 / Rd</td> </tr> <tr> <td>Port 1</td> <td>1 / Wh</td> <td>Port 7</td> <td>7 / Bk</td> </tr> <tr> <td>Port 2</td> <td>2 / Gn</td> <td>Port 8</td> <td>8 / Vt</td> </tr> <tr> <td>Port 3</td> <td>3 / Ye</td> <td></td> <td></td> </tr> </tbody> </table>	Function	Pin / Color	Function	Pin / Color	+V	11 / Bn	Port 4	4 / Cy	- V	10 / Bu	Port 5	5 / Pk	Ground	12 / Gn / Ye	Port 6	6 / Rd	Port 1	1 / Wh	Port 7	7 / Bk	Port 2	2 / Gn	Port 8	8 / Vt	Port 3	3 / Ye			8MBV12-4P2-CSV12
Function	Pin / Color	Function	Pin / Color																												
+V	11 / Bn	Port 4	4 / Cy																												
- V	10 / Bu	Port 5	5 / Pk																												
Ground	12 / Gn / Ye	Port 6	6 / Rd																												
Port 1	1 / Wh	Port 7	7 / Bk																												
Port 2	2 / Gn	Port 8	8 / Vt																												
Port 3	3 / Ye																														

8-port, 2 Signal Per Port, 10-48 VDC

Application	Specifications	Pinout	Part Number																																												
8-port J-box 2 signals per port Integral cable	4 A/port, 9 A total Yellow PVC cable** 3/18 AWG, 16/22 AWG, foil shield and 20 AWG drain CSA Certified **with PUR cable, add /S90	<table style="width: 100%; border-collapse: collapse;"> <thead> <tr> <th>Function</th> <th>Color</th> <th>Function</th> <th>Color</th> </tr> </thead> <tbody> <tr> <td>+V</td> <td>Bn</td> <td>Port 4, Sig 1</td> <td>Cy</td> </tr> <tr> <td>- V</td> <td>Bu</td> <td>Port 4, Sig 2</td> <td>Bn / Gn</td> </tr> <tr> <td>Ground</td> <td>Gn / Ye</td> <td>Port 5, Sig 1</td> <td>Pk</td> </tr> <tr> <td>Port 1, Sig 1</td> <td>Wh</td> <td>Port 5, Sig 2</td> <td>Wh / Ye</td> </tr> <tr> <td>Port 1, Sig 2</td> <td>Gy / Pk</td> <td>Port 6, Sig 1</td> <td>Rd</td> </tr> <tr> <td>Port 2, Sig 1</td> <td>Gn</td> <td>Port 6, Sig 2</td> <td>Ye / Bn</td> </tr> <tr> <td>Port 2, Sig 2</td> <td>Rd / Bu</td> <td>Port 7, Sig 1</td> <td>Bk</td> </tr> <tr> <td>Port 3, Sig 1</td> <td>Ye</td> <td>Port 7, Sig 2</td> <td>Wh / Gy</td> </tr> <tr> <td>Port 3, Sig 2</td> <td>Wh / Gn</td> <td>Port 8, Sig 1</td> <td>Vt</td> </tr> <tr> <td></td> <td></td> <td>Port 8, Sig 2</td> <td>Gy / Bn</td> </tr> </tbody> </table>	Function	Color	Function	Color	+V	Bn	Port 4, Sig 1	Cy	- V	Bu	Port 4, Sig 2	Bn / Gn	Ground	Gn / Ye	Port 5, Sig 1	Pk	Port 1, Sig 1	Wh	Port 5, Sig 2	Wh / Ye	Port 1, Sig 2	Gy / Pk	Port 6, Sig 1	Rd	Port 2, Sig 1	Gn	Port 6, Sig 2	Ye / Bn	Port 2, Sig 2	Rd / Bu	Port 7, Sig 1	Bk	Port 3, Sig 1	Ye	Port 7, Sig 2	Wh / Gy	Port 3, Sig 2	Wh / Gn	Port 8, Sig 1	Vt			Port 8, Sig 2	Gy / Bn	8MBV12-5P3-*
Function	Color	Function	Color																																												
+V	Bn	Port 4, Sig 1	Cy																																												
- V	Bu	Port 4, Sig 2	Bn / Gn																																												
Ground	Gn / Ye	Port 5, Sig 1	Pk																																												
Port 1, Sig 1	Wh	Port 5, Sig 2	Wh / Ye																																												
Port 1, Sig 2	Gy / Pk	Port 6, Sig 1	Rd																																												
Port 2, Sig 1	Gn	Port 6, Sig 2	Ye / Bn																																												
Port 2, Sig 2	Rd / Bu	Port 7, Sig 1	Bk																																												
Port 3, Sig 1	Ye	Port 7, Sig 2	Wh / Gy																																												
Port 3, Sig 2	Wh / Gn	Port 8, Sig 1	Vt																																												
		Port 8, Sig 2	Gy / Bn																																												
8-port J-box 2 signals per port multifast connector	4 A/port, 8 A total 19-pin multifast connector 19 conductors Mates with CKMV 19-19- CSA Certified	<table style="width: 100%; border-collapse: collapse;"> <thead> <tr> <th>Function</th> <th>Pin / Color</th> <th>Function</th> <th>Pin / Color</th> </tr> </thead> <tbody> <tr> <td>+V</td> <td>19 / Bn</td> <td>Port 4, Sig 1</td> <td>3 / Gy</td> </tr> <tr> <td>- V</td> <td>6 / Bu</td> <td>Port 4, Sig 2</td> <td>14 / Bn / Gn</td> </tr> <tr> <td>Ground</td> <td>12 / Gn/Ye</td> <td>Port 5, Sig 1</td> <td>17 / Pk</td> </tr> <tr> <td>Port 1, Sig 1</td> <td>15 / Wh</td> <td>Port 5, Sig 2</td> <td>9 / Wh / Ye</td> </tr> <tr> <td>Port 1, Sig 2</td> <td>7 / Gy/Pk</td> <td>Port 6, Sig 1</td> <td>2 / Rd</td> </tr> <tr> <td>Port 2, Sig 1</td> <td>5 / Gn</td> <td>Port 6, Sig 2</td> <td>13 / Ye / Bn</td> </tr> <tr> <td>Port 2, Sig 2</td> <td>4 / Rd/Bu</td> <td>Port 7, Sig 1</td> <td>11 / Bk</td> </tr> <tr> <td>Port 3, Sig 1</td> <td>16 / Ye</td> <td>Port 7, Sig 2</td> <td>10 / Wh/ Gy</td> </tr> <tr> <td>Port 3, Sig 2</td> <td>8 / Wh/Gn</td> <td>Port 8, Sig 1</td> <td>1 / Vt</td> </tr> <tr> <td></td> <td></td> <td>Port 8, Sig 2</td> <td>18 / Gy / Bn</td> </tr> </tbody> </table>	Function	Pin / Color	Function	Pin / Color	+V	19 / Bn	Port 4, Sig 1	3 / Gy	- V	6 / Bu	Port 4, Sig 2	14 / Bn / Gn	Ground	12 / Gn/Ye	Port 5, Sig 1	17 / Pk	Port 1, Sig 1	15 / Wh	Port 5, Sig 2	9 / Wh / Ye	Port 1, Sig 2	7 / Gy/Pk	Port 6, Sig 1	2 / Rd	Port 2, Sig 1	5 / Gn	Port 6, Sig 2	13 / Ye / Bn	Port 2, Sig 2	4 / Rd/Bu	Port 7, Sig 1	11 / Bk	Port 3, Sig 1	16 / Ye	Port 7, Sig 2	10 / Wh/ Gy	Port 3, Sig 2	8 / Wh/Gn	Port 8, Sig 1	1 / Vt			Port 8, Sig 2	18 / Gy / Bn	8MBV12-5P3-CSV19
Function	Pin / Color	Function	Pin / Color																																												
+V	19 / Bn	Port 4, Sig 1	3 / Gy																																												
- V	6 / Bu	Port 4, Sig 2	14 / Bn / Gn																																												
Ground	12 / Gn/Ye	Port 5, Sig 1	17 / Pk																																												
Port 1, Sig 1	15 / Wh	Port 5, Sig 2	9 / Wh / Ye																																												
Port 1, Sig 2	7 / Gy/Pk	Port 6, Sig 1	2 / Rd																																												
Port 2, Sig 1	5 / Gn	Port 6, Sig 2	13 / Ye / Bn																																												
Port 2, Sig 2	4 / Rd/Bu	Port 7, Sig 1	11 / Bk																																												
Port 3, Sig 1	16 / Ye	Port 7, Sig 2	10 / Wh/ Gy																																												
Port 3, Sig 2	8 / Wh/Gn	Port 8, Sig 1	1 / Vt																																												
		Port 8, Sig 2	18 / Gy / Bn																																												

* Cable length in meters.

Functional Wiring Diagrams

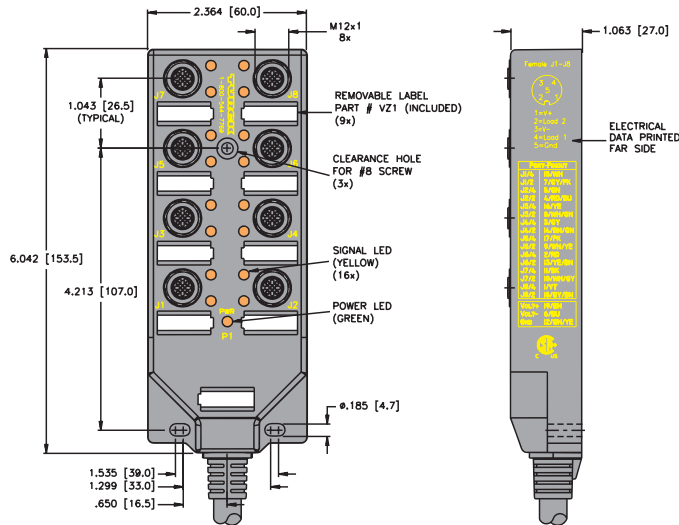


Specifications

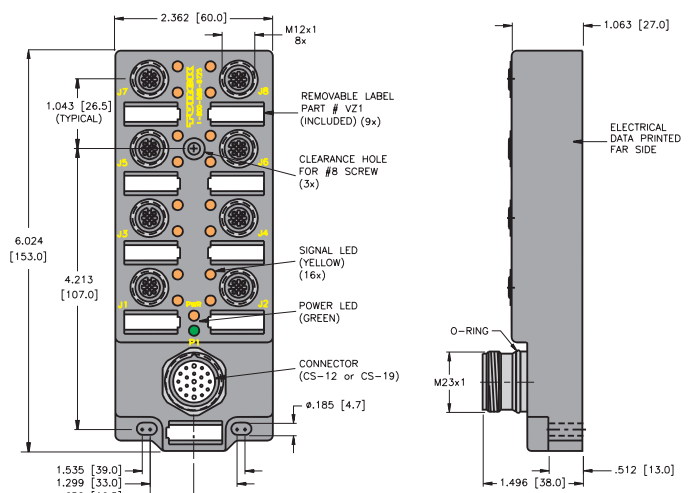
- Housing:** Nylon.
- Connectors:** **eurofast**[®]: Nylon or PUR, spacings to VDE 0110 Group C.
- Contacts:** Gold plated brass.
- Thread Inserts:** 316 Stainless steel.
- Cable:** See table.
- LED Current:** 10 mA maximum at 48 VDC supply voltage (per LED).
- Temperature:** -30°C to +80°C (-22°F to +176°F)
- Protection:** NEMA 1, 3, 4, 6P and IEC IP 67.
- Accessories:** (2) VZ 3 closure caps and a VZ 1 label kit (8 labels), included.
- Cable Length:** Standard length is nominal 5 meters. Other lengths available by request - Consult factory.
- Recommended Splitter:** YB2-FSM 4.5-2 FKM 4.5

Dimensions

8-Port Integral Cable



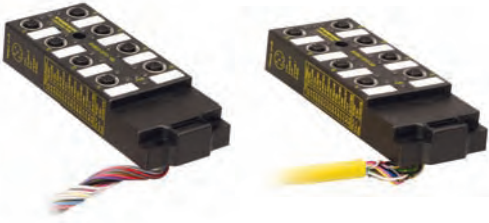
8-Port Quick Disconnect



Multibox, eurofast

Pinout

Female	Male	Male
5-Pin <i>eurofast</i>	12-Pin <i>multifast</i>	19-Pin <i>multifast</i>



multibox® eurofast® Junction Boxes, Back Exit Home Run

- 8-Port Plastic Housing
- 9 Amps Total
- Back Exit Home Run Cable or Leads

8-Port, 10-48 VDC, 2 Signals Per Port, Back Exit Home Run Leads

Application	Specifications	Pinout		Part Number
8-port J-box 2 signals per port Back exit leads	4.0 A/port, 9 A total, 5-pin eurofast connector, 1 (green) power LED 2 (yellow) signal per port LEDs, 3/18 AWG, 16/22 AWG	Function	Pin/Color	8MB12-5P3-*BL
		+V	19 / BN	
		-V	6 / BU	
		Ground	12 / GN / YE	
		Port 1, Sig 1	15 / WH	
		Port 1, Sig 2	7 / GY / PK	
		Port 2, Sig 1	5 / GN	
		Port 2, Sig 2	4 / RD / BU	
		Port 3, Sig 1	16 / YE	
		Port 3, Sig 2	8 / WH / GN	
		Port 4, Sig 1	3 / GY	
		Port 4, Sig 2	14 / BN / GN	
		Port 5, Sig 1	17 / PK	
		Port 5, Sig 2	9 / WH / YE	
		Port 6, Sig 1	2 / RD	
		Port 6, Sig 2	13 / YE / BN	
		Port 7, Sig 1	11 / BK	
		Port 7, Sig 2	10 / WH / GY	
		Port 8, Sig 1	1 / VT	
		Port 8, Sig 2	18 / GY / BN	

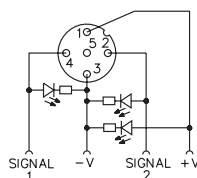
* Lead length in meters.

8-Port, 10-48 VDC, 2 Signals Per Port, Back Exit Home Run Cable

Application	Specifications	Pinout		Part Number
8-port J-box 2 signals per port Back exit cable	4.0 A/port, 9 A total, 5-pin eurofast connector, 1 (green) power LED 2 (yellow) signal per port LEDs, 3/18 AWG, 16/22 AWG, PVC Yellow Cable	Function	Pin/Color	8MB12-5P3-*B
		+V	19 / BN	
		-V	6 / BU	
		Ground	12 / GN / YE	
		Port 1, Sig 1	15 / WH	
		Port 1, Sig 2	7 / GY / PK	
		Port 2, Sig 1	5 / GN	
		Port 2, Sig 2	4 / RD / BU	
		Port 3, Sig 1	16 / YE	
		Port 3, Sig 2	8 / WH / GN	
		Port 4, Sig 1	3 / GY	
		Port 4, Sig 2	14 / BN / GN	
		Port 5, Sig 1	17 / PK	
		Port 5, Sig 2	9 / WH / YE	
		Port 6, Sig 1	2 / RD	
		Port 6, Sig 2	13 / YE / BN	
		Port 7, Sig 1	11 / BK	
		Port 7, Sig 2	10 / WH / GY	
		Port 8, Sig 1	1 / VT	
		Port 8, Sig 2	18 / GY / BN	

* Cable length in meters.

**(PNP LED Version)
2 Signals Per Port**



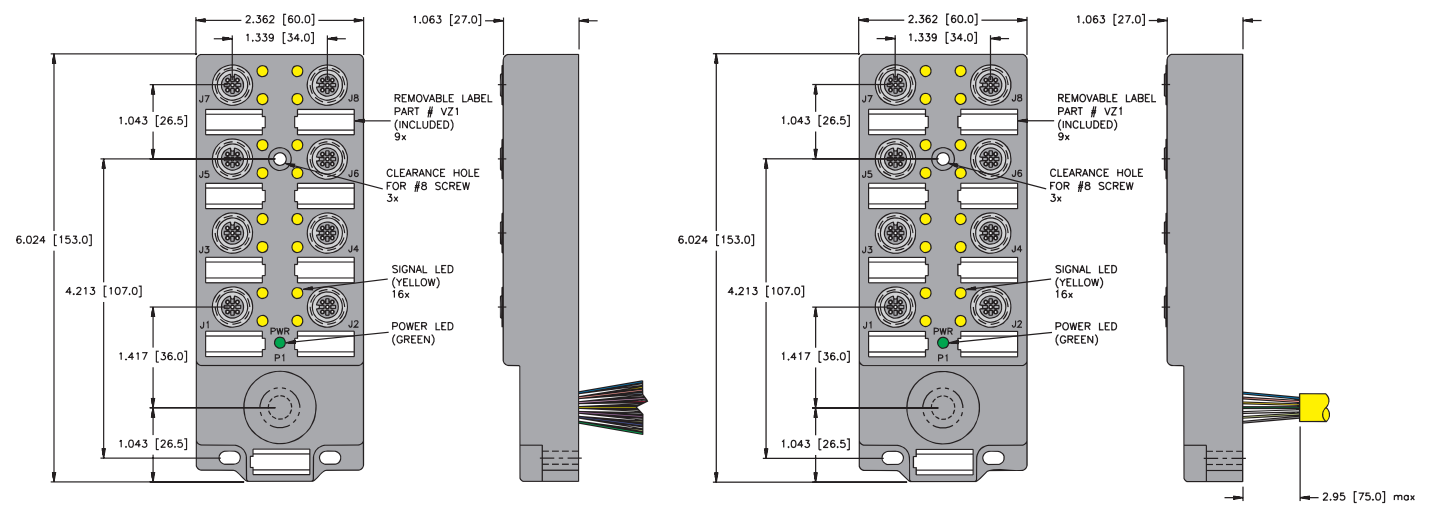
Specifications

- Housing:** Nylon.
- Connectors:** **eurofast**®: Nylon or PUR, spacings to VDE 0110 Group C.
- Contacts:** Gold plated brass.
- Thread Inserts:** Nickel plated brass.
- Cable:** See table.
- LED Current:** 12 mA max at 48 VDC supply voltage (per LED).
- Temperature:** -30°C to +80°C (-22°C to +176°F).
- Protection:** IP 67.
- Accessories:** Includes (2) VZ 3 closure caps.
- Recommended Splitter:** YB2-FSM 4.5-2 FKM 4.5.

Dimensions

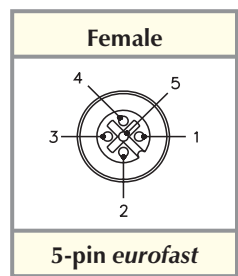
8MB12-5P3-*BL

8MB12-5P3-*B



Multibox, eurofast

Pinout





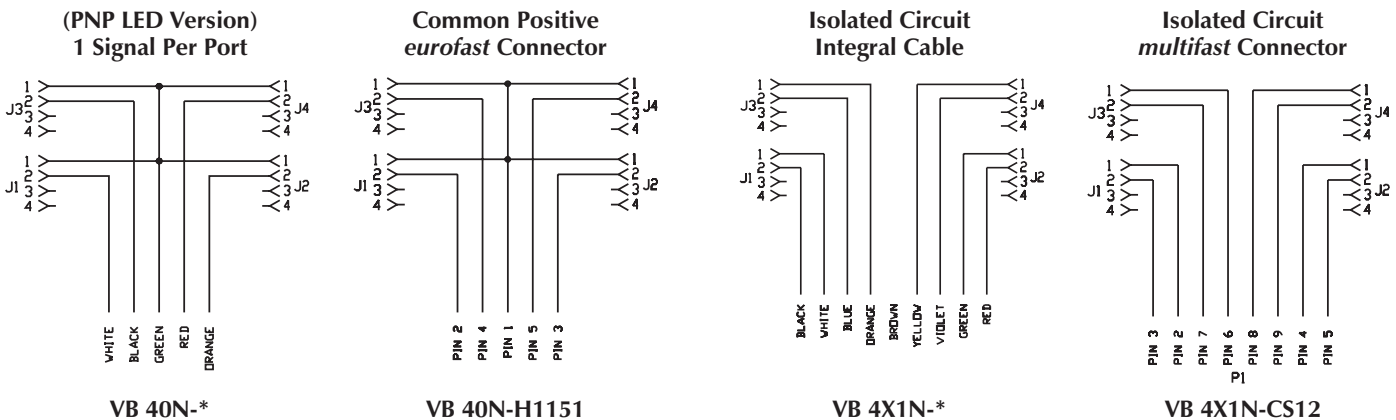
multibox® eurofast® Junction Boxes, NAMUR, 1 Circuit Per Port

- 4 Port
- Rugged Plastic Housing with Flush Connectors
- Quick Disconnect or Integral Home Run Cable
- For use with NAMUR Sensors

Application	Specifications	Pinout				Part Number
4-port J-box 1 circuit per port Integral cable	4 A/port, 9 A total Blue PVC cable, PLTC 5/22 AWG	Function +V	Color GN	Function J1/Pin 2 J2/Pin 2 J3/Pin 2 J4/Pin 2	Color WH OG BK RD	VB 40N-*
4-port J-box 1 circuit per port eurofast connector	4 A/port, 4 A total 5-pin eurofast connector 5 conductors Mates with RKCEN 5T-*	Function +V	Pin / Color 1 / GN	Function J1/Pin 2 J2/Pin 2 J3/Pin 2 J4/Pin 2	Pin / Color 2 / WH 3 / OG 4 / BK 5 / RD	VB 40N-H1151

Application	Specifications	Pinout				Part Number
4-port J-box 1 circuit per port Integral cable	4 A/port, 9 A total Blue PVC cable, PLTC 9/22 AWG	Function J1/Pin 1 J1/Pin 2 J2/Pin 1 J2/Pin 2	Color WH BK GN RD	Function J3/Pin 1 J3/Pin 2 J4/Pin 1 J4/Pin 2	Color OG BU YE VT	VB 4X1N-*
4-port J-box 1 circuit per port multifast connector	4 A/port, 8 A total 12-pin multifast connector 9 conductors Mates with CKNM 12-9-*	Function J1/Pin 1 J1/Pin 2 J2/Pin 1 J2/Pin 2	Pin / Color 2 / WH 3 / BK 4 / GN 5 / RD	Function J3/Pin 1 J3/Pin 2 J4/Pin 1 J4/Pin 2	Pin / Color 6 / OG 7 / BU 8 / YE 9 / VT	VB 4X1N-CS12

Functional Wiring Diagrams

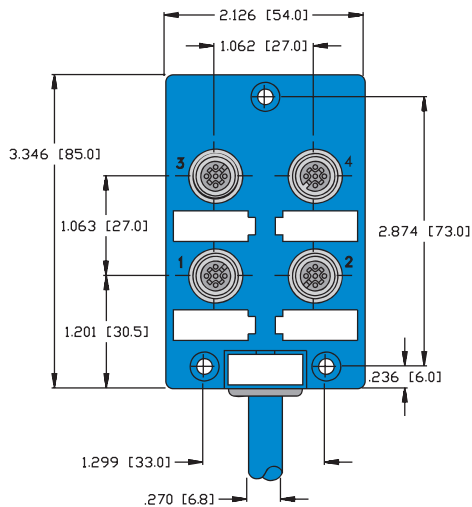


Specifications

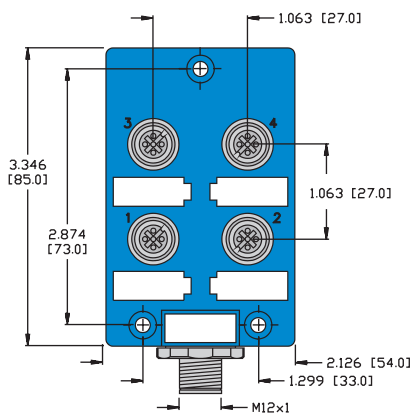
Housing:	Nylon.
Connectors:	eurofast [®] : Nylon or PUR, spacings to VDE 0110 Group C.
Contacts:	Gold plated brass, machined from solid stock.
Thread Inserts:	Nickel plated brass.
Cable:	See table.
Temperature:	-40°C to +90°C (-40°F to +194°F)
Protection:	NEMA 1, 3, 4, 6P and IEC IP 67.
Accessories:	(2) VZ 3 closure caps and one VZ 1 label kit (8 labels) included.
Cable Length:	Standard length for junction boxes and multifast [®] series quick disconnect cordsets is nominal 5 meters.

Dimensions

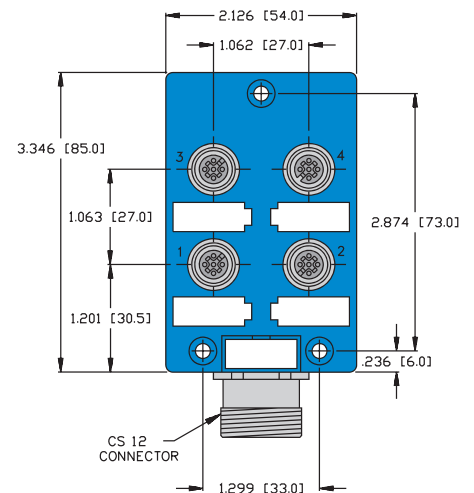
4-Port with Integral Home Run Cable



4-Port with *eurofast* Home Run Connector



4-Port with *multifast* Home Run Connector

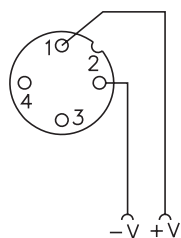


Multibox, eurofast

Notes:

- Removable labels included (Part number VZ 1).
- Clearance hole for #8 screw (3 places).
- Housings with integral cable: 23.0 mm thickness. Housings with quick disconnect: 33.0 mm thickness.

Female Pinout Diagram



Pinout

Male	Male
5-Pin <i>eurofast</i>	12-Pin <i>multifast</i>



multibox® eurofast® Junction Boxes, NAMUR, 2 Circuits Per Port

- 4 Ports
- Rugged Plastic Housing with Flush Connectors
- Quick Disconnect or Integral Home Run Cable
- For use with NAMUR Sensors

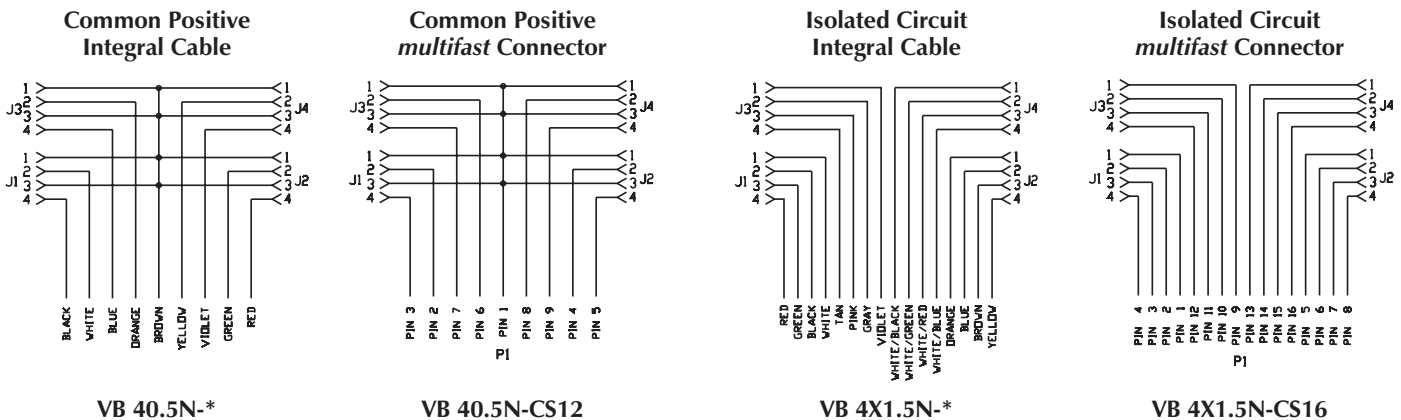
2 Circuits Per Port, Common Positive, 100 VDC

Application	Specifications	Pinout				Part Number
4-port J-box 2 circuits per port Integral cable	4 A/port, 9 A total Blue PVC cable, PLTC 9/22 AWG	Function	Color	Function	Color	VB 40.5N-*
		V+	BN	J3/Pin 2	OG	
		J1/Pin 2	WH	J3/Pin 4	BU	
		J1/Pin 4	BK	J4/Pin 2	YE	
		J2/Pin 2	GN	J4/Pin 4	VT	
		J2/Pin 4	RD			
4-port J-box 2 circuits per port multifast connector	4 A/port, 8 A total 12-pin multifast connector 9 conductors Mates with CKNM 12-9-*	Function	Pin / Color	Function	Pin / Color	VB 40.5N-CS12
		V+	1 / BN	J3/Pin 2	6 / OG	
		J1/Pin 2	2 / WH	J3/Pin 4	7 / BU	
		J1/Pin 4	3 / BK	J4/Pin 2	8 / YE	
		J2/Pin 2	4 / GN	J4/Pin 4	9 / VT	
		J2/Pin 4	5 / RD			

2 Circuits Per Port, Isolated Circuits, 100 VDC

Application	Specifications	Pinout				Part Number
4-port J-box 2 circuits per port Integral cable	4 A/port, 9 A total Blue PVC cable, PLTC 16/22 AWG	Function	Color	Function	Color	VB 4X1.5N-*
		J1/Pin 1	WH	J3/Pin 1	VT	
		J1/Pin 2	BK	J3/Pin 2	GY	
		J1/Pin 3	GN	J3/Pin 3	PK	
		J1/Pin 4	RD	J3/Pin 4	Tn	
		J2/Pin 1	OG	J4/Pin 1	WH / BK	
		J2/Pin 2	BU	J4/Pin 2	WH / GN	
		J2/Pin 3	BN	J4/Pin 3	WH / RD	
		J2/Pin 4	YE	J4/Pin 4	WH / BU	

Functional Wiring Diagrams

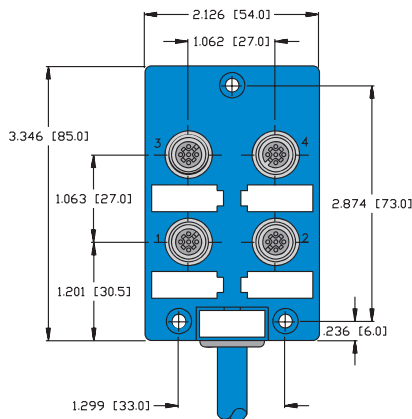


Specifications

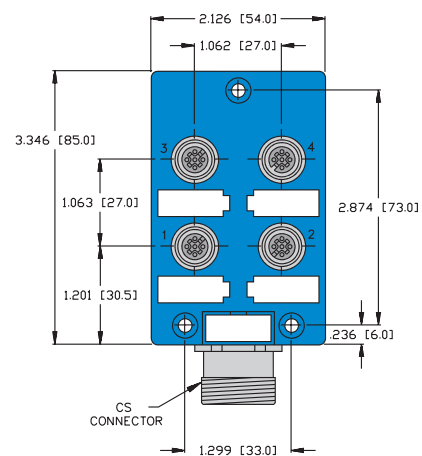
Housing:	Nylon.
Connectors:	eurofast [®] : Nylon or PUR, spacings to VDE 0110 Group C.
Contacts:	Gold plated brass, machined from solid stock.
Thread Inserts:	Nickel plated brass.
Cable:	See table.
Temperature:	-40°C to +90°C (-40°F to +194°F)
Protection:	NEMA 1, 3, 4, 6P and IEC IP 67.
Accessories:	(2) VZ 3 closure caps and one VZ 1 label kit (8 labels) included.
Cable Length:	Standard length for junction boxes and multifast [®] series quick disconnect cordsets is nominal 5 meters.

Dimensions

4-Port with Integral Home Run Cable



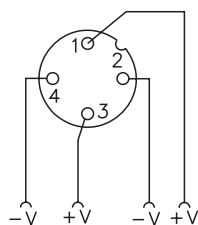
4-Port with *multifast* Home Run Connector



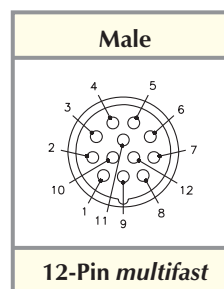
Notes:

- Removable labels included (Part number VZ 1).
- Clearance hole for #8 screw (3 places).
- Housings with integral cable: 23.0 mm thickness. Housings with quick disconnect: 33.0 mm thickness.

Female Pinout Diagram



Pinout





multibox® eurofast® Terminal Chamber, 2 Signals Per Port

- 4-Port, Plastic or Metal Housing
- 12 A Total
- Power Supply Isolation Option
- Plug-in Terminal Cover with Spring Clamps or Screw Terminal

4-port, 10-30 VDC, 2 Signals Per Port, Isolated Power Supply Optional, Plastic Housing Termination Style

Application	Specifications	Pinout		Spring Clamp	Screw Terminals
4-port J-box 2 signals per port Jumper option for isolation between odd and even ports Terminal chamber connection - spring clamp or screw terminals	3.0 A/port, 10.0 A per power supply 12.0 A total 5-pin eurofast connector 2(green) power LED 2(yellow) signal per port LEDs cable diameter 5-12mm	Function	Terminal Pin	4MB12-5P4-K-FK	4MB12-5P4-K-SK
		Port 1/Signal 1	1		
		2/1	2		
		3/1	3		
		4/1	4		
		Port 1/Signal 2	9		
		2/2	10		
		3/2	11		
		4/2	12		
		+V	17		
		-V	18		
		+V	19		
		-V	20		
		Ground	PE		

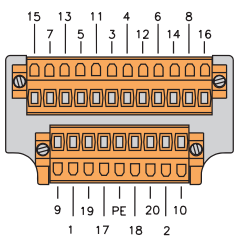
4-port, 10-30 VDC, 2 Signals Per Port, Shielded Metal Housing Termination Style

Application	Specifications	Pinout		Spring Clamp	Screw Terminals
4-port J-box 2 signals per port Termination chamber connection - spring clamp or screw terminals	3.0 A/port, 10.0 A/power supply 12.0 A total 5-pin eurofast connector 1(green) power LED cable diameter 19-14mm	Function	Terminal Pin	4MB12-5P1-MS-FK	4MB12-5P1-MS-SK
		Port 1/Signal 1	1		
		2/1	2		
		3/1	3		
		4/1	4		
		Port 1/Signal 2	9		
		2/2	10		
		3/2	11		
		4/2	12		
		+V	17		
		-V	18		
		+V	19		
		-V	20		
		Ground	PE		

Functional Wiring Diagrams

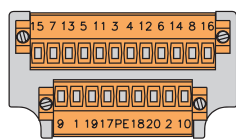
Spring Clamp

TERMINAL END VIEW

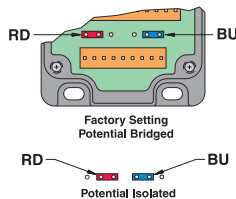


Screw Terminal

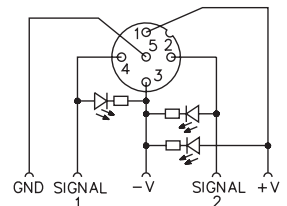
TERMINAL END VIEW



CONNECTION DIAGRAM



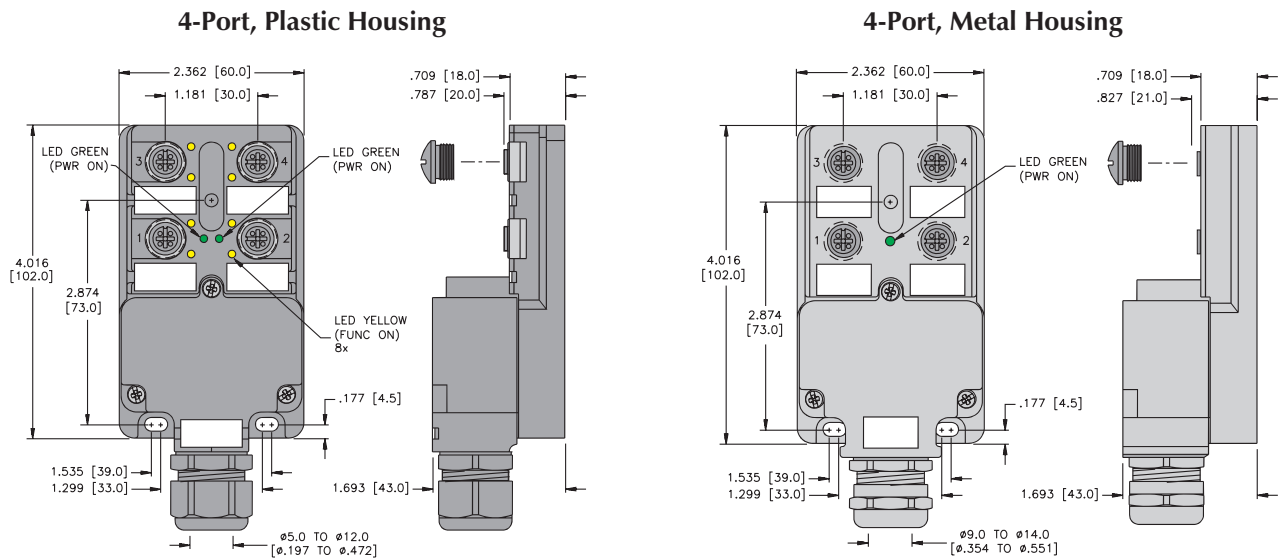
**LED version
2 Signals Per Port**



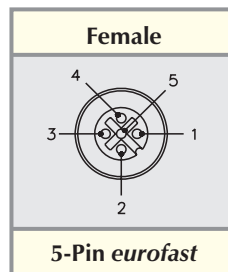
Specifications

- Housing:** PBT Black Plastic.
- Connectors:** **eurofast**[®]: PBT/black, spacings to VDE 0110 Group C.
- Contacts:** Gold plated brass.
- Thread Inserts:** Nickel plated brass.
- Cable Gland & OD:** PG 13.5, accepts cable diameter 5 to 12 mm
- Temperature:** -20°C to +90°C (-4°F to +194°F)
- Protection:** NEMA 1, 3, 4, 6P and IEC IP 68.
- Accessories:** (2) TC-CC closure caps and (labels) included.
- Termination Method:** Field wireable, Spring Clamp or Screw Terminal.
- Recommended Splitter:** YB2-FSM 4.5-2 FKM 4.5.

Dimensions



Pinout



Multibox, eurofast



multibox® eurofast® Terminal Chamber, 2 Signals Per Port

- 8-Port Plastic or Metal Housing
- 16 A Total
- Power Supply Isolation Option
- Plug in Terminal Cover - Spring Clamps or Screw Terminals

8-port, 10-30 VDC, 2 Signals Per Port, Isolated Power Supply Optional, Plastic

Termination Style

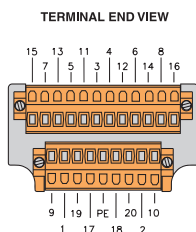
Application	Specifications	Pinout				Spring Clamp	Screw Terminals	
8-port J-box 2 signals per port, Jumper option for isolation between odd and even ports Terminal chamber connection - spring clamp or screw terminals	3.0 A/port, 10.0 A per power supply 16.0 A total 5-pin eurofast connector 2(green) power LED 2(yellow) signal per port LEDs cable diameter 5-12mm	Function	Terminal Pin	Function	Terminal Pin	8MB12-5P4-K-FK	8MB12-5P4-K-SK	
		Port 1/Signal 1	1	4/2	12			
			2/1	2	5/2			13
			3/1	3	6/2			14
			4/1	4	7/2			15
			5/1	5	8/2			16
			6/1	6	+V			17
			7/1	7	-V			18
			8/1	8	+V			19
		Port 1/Signal 2	9	-V	20			
			2/2	10	Ground			PE
	3/2	11						

8-port, 10-30 VDC, 2 Signals Per Port, Shielded Metal

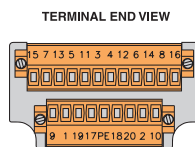
Termination Style

Application	Specifications	Pinout				Spring Clamp	Screw Terminals	
8-port J-box 2 signals per port Termination chamber connection - spring clamp or screw terminal	3.0 A/port 10.0 A/power supply 16.0 A total 5-pin eurofast connector 1(green) power LED cable diameter 19-14mm	Function	Terminal Pin	Function	Terminal Pin	8MB12-5P1-MS-FK	8MB12-5P1-MS-SK	
		Port 1/Signal 1	1	4/2	12			
			2/1	2	5/2			13
			3/1	3	6/2			14
			4/1	4	7/2			15
			5/1	5	8/2			16
			6/1	6	+V			17
			7/1	7	-V			18
			8/1	8	+V			19
		Port 1/Signal 2	9	-V	20			
			2/2	10	Ground			PE
	3/2	11						

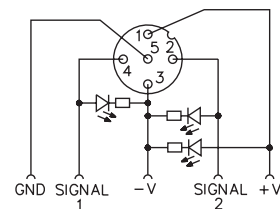
Spring Clamp



Screw Terminal



Functional Wiring Diagram
2 Signals Per Port

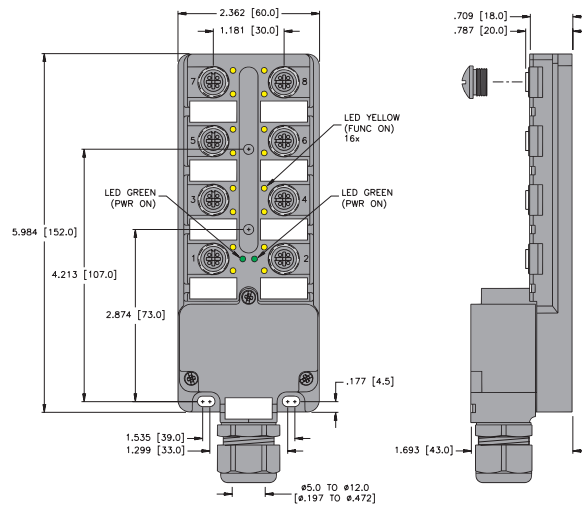


Specifications

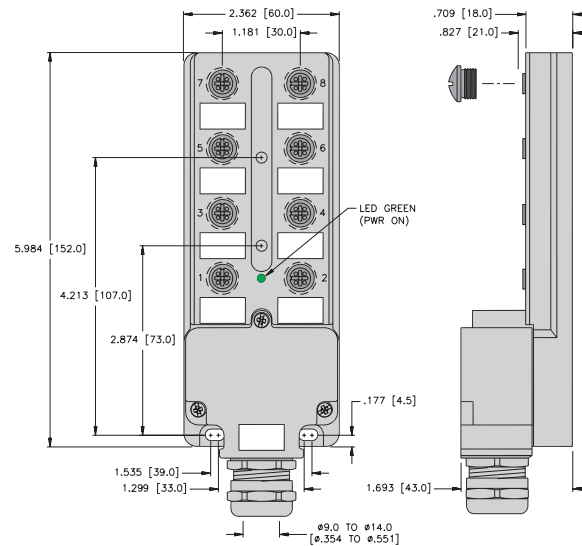
Housing:	Die Cast Zinc, Nickel plated.
Connectors:	eurofast [®] : PBT/black, spacings to VDE 0110 Group C.
Contacts:	Gold plated brass.
Thread Inserts:	Nickel plated brass.
Cable Gland & OD:	PG 13.5, accepts cable diameter 10-14 mm.
Temperature:	-20°C to +90°C (-4°F to +194°F).
Protection:	NEMA 1, 3, 4, 6P and IEC IP 68.
Accessories:	Includes (2) TC-CC closure caps and labels, stainless steel enclosure caps available, RSV-CC.
Termination Method:	Field wireable, spring clamps or screw terminals.
Recommended Splitter:	YB2-FSM 4.5-2 FKM 4.5.

Dimensions

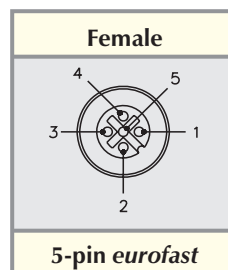
8-Port, Plastic Housing



8-Port, Metal Housing



Pinout





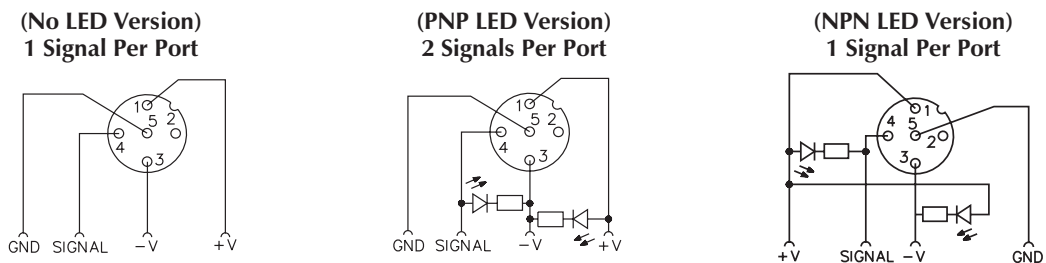
multibox® eurofast® Junction Boxes, 1 Signal Per Port

- 4-Ports
- Rugged Plastic Housing with Flush Connectors
- Available with or without LEDs
- Quick Disconnect or *minifast* Connector

4-port, 1-Signal per Port, 10-48 VDC

Application	Specifications	Pinout	No LEDs	PNP LED	NPN LED																				
4-port J-box 1 signal per port Integral cable	4 A/port, 10 A total Yellow PVC cable** 7/18 AWG foil shield and 20 AWG drain CSA Certified **with PUR cable, add /S90	<table border="0"> <tr> <td>Function</td> <td>Color</td> <td>Function</td> <td>Color</td> </tr> <tr> <td>+V</td> <td>BN</td> <td>Port 1</td> <td>WH</td> </tr> <tr> <td>-V</td> <td>BU</td> <td>Port 2</td> <td>GN</td> </tr> <tr> <td>Gnd</td> <td>GN/YE</td> <td>Port 3</td> <td>YE</td> </tr> <tr> <td></td> <td></td> <td>Port 4</td> <td>GY</td> </tr> </table>	Function	Color	Function	Color	+V	BN	Port 1	WH	-V	BU	Port 2	GN	Gnd	GN/YE	Port 3	YE			Port 4	GY	VB 40-*	VB 40-P7X5-*	VB 40-N7X5-*
Function	Color	Function	Color																						
+V	BN	Port 1	WH																						
-V	BU	Port 2	GN																						
Gnd	GN/YE	Port 3	YE																						
		Port 4	GY																						
4-port J-box 1 signal per port multifast connector	4 A/port, 7 A total 12-pin multifast connector 7 conductors Mates with CKM 12-7-* CSA Certified	<table border="0"> <tr> <td>Function</td> <td>Pin / Color</td> <td>Function</td> <td>Pin / Color</td> </tr> <tr> <td>+V</td> <td>1 / BN</td> <td>Port 1</td> <td>4 / WH</td> </tr> <tr> <td>-V</td> <td>3 / BU</td> <td>Port 2</td> <td>6 / GN</td> </tr> <tr> <td>Gnd</td> <td>12 / GN/YE</td> <td>Port 3</td> <td>7 / YE</td> </tr> <tr> <td></td> <td></td> <td>Port 4</td> <td>8 / GY</td> </tr> </table>	Function	Pin / Color	Function	Pin / Color	+V	1 / BN	Port 1	4 / WH	-V	3 / BU	Port 2	6 / GN	Gnd	12 / GN/YE	Port 3	7 / YE			Port 4	8 / GY	VB 40-CS12	VB 40-P7X5-CS12	VB 40-N7X5-CS12
Function	Pin / Color	Function	Pin / Color																						
+V	1 / BN	Port 1	4 / WH																						
-V	3 / BU	Port 2	6 / GN																						
Gnd	12 / GN/YE	Port 3	7 / YE																						
		Port 4	8 / GY																						
4-port J-box 1 signal per port, minifast connector	4 A/port 9 A total 6-pin minifast connector 6 conductors Mates with RKM 61-*M CSA Certified	<table border="0"> <tr> <td>Function</td> <td>Pin / Color</td> <td>Function</td> <td>Pin / Color</td> </tr> <tr> <td>+V</td> <td>6 / BN</td> <td>Port 1</td> <td>2 / WH</td> </tr> <tr> <td>-V</td> <td>3 / BU</td> <td>Port 2</td> <td>1 / GN</td> </tr> <tr> <td></td> <td></td> <td>Port 3</td> <td>5 / YE</td> </tr> <tr> <td></td> <td></td> <td>Port 4</td> <td>4 / GY</td> </tr> </table>	Function	Pin / Color	Function	Pin / Color	+V	6 / BN	Port 1	2 / WH	-V	3 / BU	Port 2	1 / GN			Port 3	5 / YE			Port 4	4 / GY	VB 40-B1161	VB 40-P7X5-B1161	VB 40-N7X5-B1161
Function	Pin / Color	Function	Pin / Color																						
+V	6 / BN	Port 1	2 / WH																						
-V	3 / BU	Port 2	1 / GN																						
		Port 3	5 / YE																						
		Port 4	4 / GY																						

Functional Wiring Diagrams

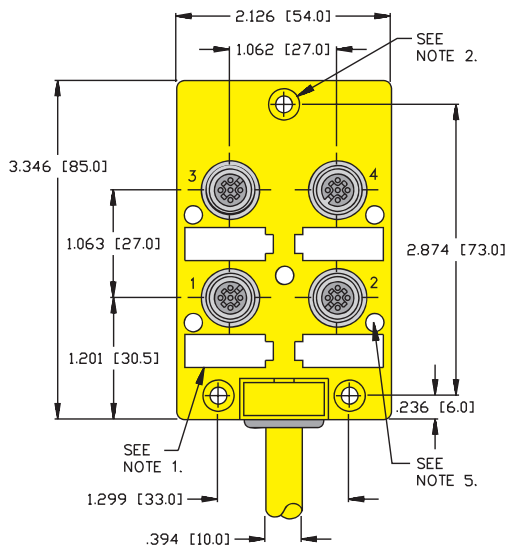


Specifications

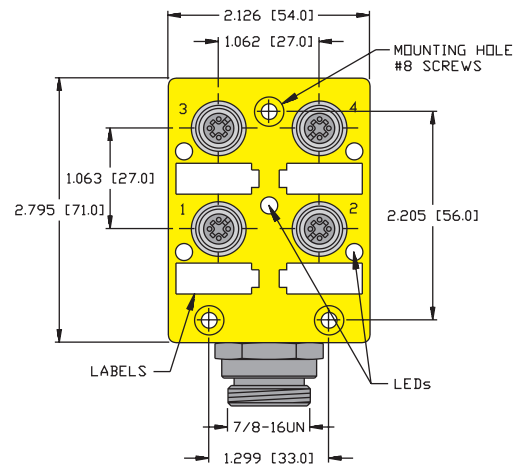
Housing:	Nylon.
Connectors:	eurofast®: Nylon or PUR, spacings to VDE 0110 Group C.
Contacts:	Gold plated brass.
Thread Inserts:	Stainless Steel.
Cable:	See table.
LED current:	10 mA maximum at 48 VDC supply voltage (per LED).
Temperature:	-30°C to +80°C (-22°F to +176°F)
Protection:	NEMA 1, 3, 4, 6P and IEC IP 67.
Accessories:	Includes (2) VZ 3 closure caps and a VZ 1 label kit (8 labels) included.
Cable Length:	Standard length is nominal 5 meters. Other lengths available upon request - Consult factory.

Dimensions

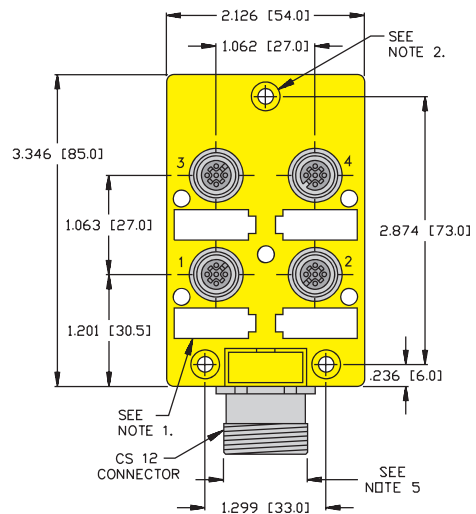
4-Port Integral Home Run Cable



4-Port with *minifast* Home Run Connector



4-Port with *multifast* Home Run Connector



Notes:

1. Removable labels included (Part number VZ 1).
2. Clearance hole for #8 screw (3 places).
3. Housings with integral cable: 23.0 mm thickness.
Housings with quick disconnect: 33.0 mm thickness.
4. For mating CKM cordsets. See **multifast** pages.
5. Green LED = Power on (center position)
Yellow LED = Signal (outer position)

Pinout

Female	Male	Male
5-pin eurofast	12-pin multifast	6-pin minifast



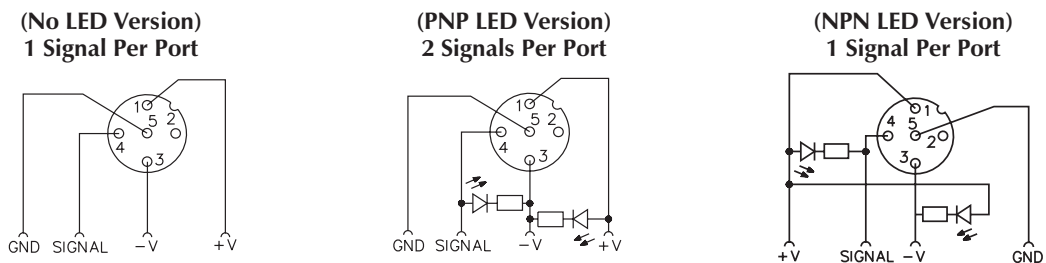
multibox® eurofast® Junction Boxes, 1 Signal Per Port

- 6-Ports
- Rugged Plastic Housing with Flush Connectors
- Available with or without LEDs
- Quick Disconnect or *minifast* Connector

6-port, 1-Signal per Port, 10-48 VDC

Application	Specifications	Pinout	No LEDs	PNP LED	NPN LED																								
6-port J-box 1 signal per port Integral cable	4 A/port, 10 A total, Yellow PVC cable** 9/18 AWG foil shield and 20 AWG drain CSA Certified **with PUR cable, add /S90	<table border="0"> <tr> <td><u>Function</u></td> <td><u>Color</u></td> <td><u>Function</u></td> <td><u>Color</u></td> </tr> <tr> <td>+V</td> <td>BN</td> <td>Port 3</td> <td>YE</td> </tr> <tr> <td>-V</td> <td>BU</td> <td>Port 4</td> <td>GY</td> </tr> <tr> <td>Gnd</td> <td>GN/YE</td> <td>Port 5</td> <td>PK</td> </tr> <tr> <td>Port 1</td> <td>WH</td> <td>Port 6</td> <td>RD</td> </tr> <tr> <td>Port 2</td> <td>GN</td> <td></td> <td></td> </tr> </table>	<u>Function</u>	<u>Color</u>	<u>Function</u>	<u>Color</u>	+V	BN	Port 3	YE	-V	BU	Port 4	GY	Gnd	GN/YE	Port 5	PK	Port 1	WH	Port 6	RD	Port 2	GN			VB 60-*	VB 60-P7X7-*	VB 60-N7X7-*
<u>Function</u>	<u>Color</u>	<u>Function</u>	<u>Color</u>																										
+V	BN	Port 3	YE																										
-V	BU	Port 4	GY																										
Gnd	GN/YE	Port 5	PK																										
Port 1	WH	Port 6	RD																										
Port 2	GN																												
6-port J-box 1 signal per port multifast connector	4 A/port, 7 A total 12-pin multifast connector 9 conductors Mates with CKM 12-9- CSA Certified	<table border="0"> <tr> <td><u>Function</u></td> <td><u>Pin / Color</u></td> <td><u>Function</u></td> <td><u>Pin / Color</u></td> </tr> <tr> <td>+V</td> <td>1 / BN</td> <td>Port 3</td> <td>7 / YE</td> </tr> <tr> <td>-V</td> <td>3 / BU</td> <td>Port 4</td> <td>8 / GY</td> </tr> <tr> <td>Gnd</td> <td>12 / GN/YE</td> <td>Port 5</td> <td>9 / PK</td> </tr> <tr> <td>Port 1</td> <td>4 / WH</td> <td>Port 6</td> <td>10 / RD</td> </tr> <tr> <td>Port 2</td> <td>6 / GN</td> <td></td> <td></td> </tr> </table>	<u>Function</u>	<u>Pin / Color</u>	<u>Function</u>	<u>Pin / Color</u>	+V	1 / BN	Port 3	7 / YE	-V	3 / BU	Port 4	8 / GY	Gnd	12 / GN/YE	Port 5	9 / PK	Port 1	4 / WH	Port 6	10 / RD	Port 2	6 / GN			VB 60-CS12	VB 60-P7X7-CS12	VB 60-N7X7-CS12
<u>Function</u>	<u>Pin / Color</u>	<u>Function</u>	<u>Pin / Color</u>																										
+V	1 / BN	Port 3	7 / YE																										
-V	3 / BU	Port 4	8 / GY																										
Gnd	12 / GN/YE	Port 5	9 / PK																										
Port 1	4 / WH	Port 6	10 / RD																										
Port 2	6 / GN																												
6-port J-box 1 signal per port, minifast connector	4 A/port 7 A total 12-pin minifast connector 9 conductors Mates with RKM 126- CSA Certified	<table border="0"> <tr> <td><u>Function</u></td> <td><u>Pin / Color</u></td> <td><u>Function</u></td> <td><u>Pin / Color</u></td> </tr> <tr> <td>+V</td> <td>10 / RD</td> <td>Port 2</td> <td>2 / BU</td> </tr> <tr> <td>-V</td> <td>11 / WH</td> <td>Port 3</td> <td>3 / WH/BK</td> </tr> <tr> <td>Ground</td> <td>12 / BK</td> <td>Port 4</td> <td>4 / RD/BK</td> </tr> <tr> <td>Port 1</td> <td>1 / OG</td> <td>Port 5</td> <td>5 / GN/BK</td> </tr> <tr> <td></td> <td></td> <td>Port 6</td> <td>6 / OG/BK</td> </tr> </table>	<u>Function</u>	<u>Pin / Color</u>	<u>Function</u>	<u>Pin / Color</u>	+V	10 / RD	Port 2	2 / BU	-V	11 / WH	Port 3	3 / WH/BK	Ground	12 / BK	Port 4	4 / RD/BK	Port 1	1 / OG	Port 5	5 / GN/BK			Port 6	6 / OG/BK	VB 60-RSF120	VB 60-P7X7-RSF120	VB 60-N7X7-RSF120
<u>Function</u>	<u>Pin / Color</u>	<u>Function</u>	<u>Pin / Color</u>																										
+V	10 / RD	Port 2	2 / BU																										
-V	11 / WH	Port 3	3 / WH/BK																										
Ground	12 / BK	Port 4	4 / RD/BK																										
Port 1	1 / OG	Port 5	5 / GN/BK																										
		Port 6	6 / OG/BK																										

Functional Wiring Diagrams

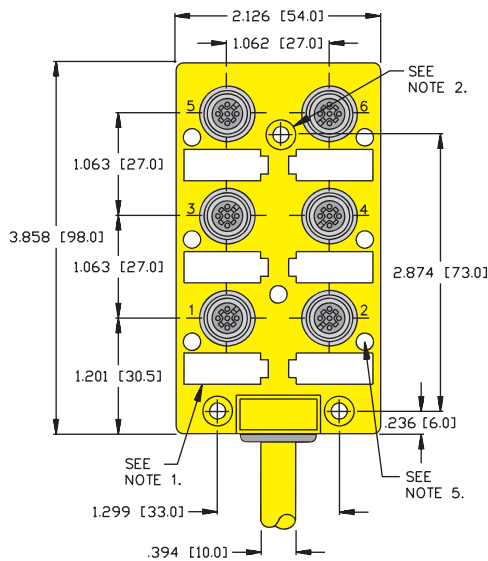


Specifications

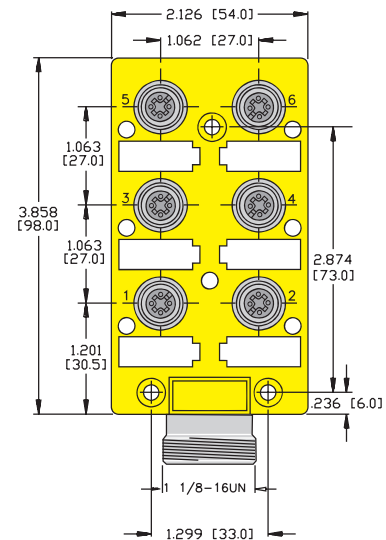
Housing:	Nylon.
Connectors:	eurofast®: Nylon or PUR, spacings to VDE 0110 Group C.
Contacts:	Gold plated brass.
Thread Inserts:	Stainless Steel.
Cable:	See table.
LED current:	10 mA maximum at 48 VDC supply voltage (per LED).
Temperature:	-30°C to +80°C (-22°F to +176°F)
Protection:	NEMA 1, 3, 4, 6P and IEC IP 67.
Accessories:	Includes (2) VZ 3 closure caps and a VZ 1 label kit (8 labels) included.
Cable Length:	Standard length is nominal 5 meters. Other lengths available upon request - Consult factory.

Dimensions

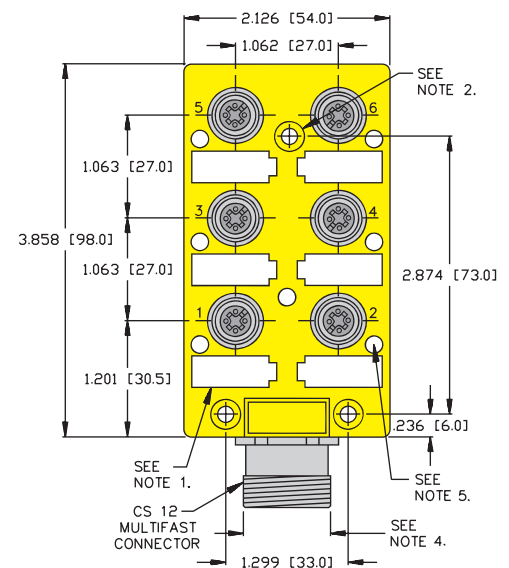
6-Port Integral Home Run Cable



6-Port with *minifast* Home Run Connector



6-Port with *multifast* Home Run Connector



Notes:

1. Removable labels included (Part number VZ 1).
2. Clearance hole for #8 screw (3 places).
3. Housings with integral cable: 23.0 mm thickness.
Housings with quick disconnect: 33.0 mm thickness.
4. For mating CKM cordsets. See **multifast** pages.
5. Green LED = Power on (center position)
Yellow LED = Signal (outer position)

Pinout

Female	Male	Male
5-pin eurofast	12-pin multifast	12-pin minifast



multibox® eurofast® Junction Boxes, 1 Signal Per Port

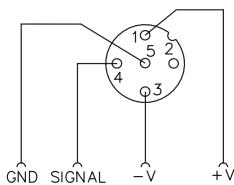
- 8-Ports
- Rugged Plastic Housing with Flush Connectors
- Available with or without LEDs
- Quick Disconnect or *minifast* Connector

8-port, 1-Signal Per Port, 10-48 VDC

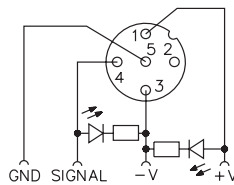
Application	Specifications	Pinout	No LEDs	PNP LED	NPN LED																												
8-port J-box 1 signal per port Integral cable	4 A/port, 5 A total Yellow PVC cable** 11/18 AWG, foil shield and 20 AWG drain CSA Certified **with PUR cable, add /S90	<table border="0"> <tr> <td><u>Function</u></td> <td><u>Color</u></td> <td><u>Function</u></td> <td><u>Color</u></td> </tr> <tr> <td>+V</td> <td>BN</td> <td>Port 4</td> <td>GY</td> </tr> <tr> <td>- V</td> <td>BU</td> <td>Port 5</td> <td>PK</td> </tr> <tr> <td>Gnd</td> <td>GN/YE</td> <td>Port 6</td> <td>RD</td> </tr> <tr> <td>Port 1</td> <td>WH</td> <td>Port 7</td> <td>BK</td> </tr> <tr> <td>Port 2</td> <td>GN</td> <td>Port 8</td> <td>VT</td> </tr> <tr> <td>Port 3</td> <td>YE</td> <td></td> <td></td> </tr> </table>	<u>Function</u>	<u>Color</u>	<u>Function</u>	<u>Color</u>	+V	BN	Port 4	GY	- V	BU	Port 5	PK	Gnd	GN/YE	Port 6	RD	Port 1	WH	Port 7	BK	Port 2	GN	Port 8	VT	Port 3	YE			VB 80-*	VB 80-P7X9-*	VB 80-N7X9-*
<u>Function</u>	<u>Color</u>	<u>Function</u>	<u>Color</u>																														
+V	BN	Port 4	GY																														
- V	BU	Port 5	PK																														
Gnd	GN/YE	Port 6	RD																														
Port 1	WH	Port 7	BK																														
Port 2	GN	Port 8	VT																														
Port 3	YE																																
8-port J-box 1 signal per port multifast connector	4 A/port, 5 A total 12-pin multifast connector 11 conductors Mates with CKM 12-11-* CSA Certified	<table border="0"> <tr> <td><u>Function</u></td> <td><u>Pin / Color</u></td> <td><u>Function</u></td> <td><u>Pin / Color</u></td> </tr> <tr> <td>+V</td> <td>1 / BN</td> <td>Port 4</td> <td>7 / GY</td> </tr> <tr> <td>- V</td> <td>3 / BU</td> <td>Port 5</td> <td>8 / PK</td> </tr> <tr> <td>Gnd</td> <td>12 / GN/YE</td> <td>Port 6</td> <td>9 / RD</td> </tr> <tr> <td>Port 1</td> <td>4 / WH</td> <td>Port 7</td> <td>10 / BK</td> </tr> <tr> <td>Port 2</td> <td>5 / GN</td> <td>Port 8</td> <td>11 / VT</td> </tr> <tr> <td>Port 3</td> <td>6 / YE</td> <td></td> <td></td> </tr> </table>	<u>Function</u>	<u>Pin / Color</u>	<u>Function</u>	<u>Pin / Color</u>	+V	1 / BN	Port 4	7 / GY	- V	3 / BU	Port 5	8 / PK	Gnd	12 / GN/YE	Port 6	9 / RD	Port 1	4 / WH	Port 7	10 / BK	Port 2	5 / GN	Port 8	11 / VT	Port 3	6 / YE			VB 80-CS12	VB 80-P7X9-CS12	VB 80-N7X9-CS12
<u>Function</u>	<u>Pin / Color</u>	<u>Function</u>	<u>Pin / Color</u>																														
+V	1 / BN	Port 4	7 / GY																														
- V	3 / BU	Port 5	8 / PK																														
Gnd	12 / GN/YE	Port 6	9 / RD																														
Port 1	4 / WH	Port 7	10 / BK																														
Port 2	5 / GN	Port 8	11 / VT																														
Port 3	6 / YE																																
8-port J-box 1 signal per port, minifast connector	4 A/port 5 A total 12-pin minifast connector 11 conductors Mates with RKM 126-* CSA certified	<table border="0"> <tr> <td><u>Function</u></td> <td><u>Pin / Color</u></td> <td><u>Function</u></td> <td><u>Pin / Color</u></td> </tr> <tr> <td>+V</td> <td>10 / RD</td> <td>Port 3</td> <td>3 / WH/BK</td> </tr> <tr> <td>-V</td> <td>11 / WH</td> <td>Port 4</td> <td>4 / RD/BK</td> </tr> <tr> <td>Ground</td> <td>12 / BK</td> <td>Port 5</td> <td>5 / GN/BK</td> </tr> <tr> <td>Port 1</td> <td>1 / OG</td> <td>Port 6</td> <td>6 / OG/BK</td> </tr> <tr> <td>Port 2</td> <td>2 / BU</td> <td>Port 7</td> <td>7 / BU/BK</td> </tr> <tr> <td></td> <td></td> <td>Port 8</td> <td>8 / BK/WH</td> </tr> </table>	<u>Function</u>	<u>Pin / Color</u>	<u>Function</u>	<u>Pin / Color</u>	+V	10 / RD	Port 3	3 / WH/BK	-V	11 / WH	Port 4	4 / RD/BK	Ground	12 / BK	Port 5	5 / GN/BK	Port 1	1 / OG	Port 6	6 / OG/BK	Port 2	2 / BU	Port 7	7 / BU/BK			Port 8	8 / BK/WH	VB 80-RSF120	VB 80-P7X9-RSF120	VB 80-N7X9-RSF120
<u>Function</u>	<u>Pin / Color</u>	<u>Function</u>	<u>Pin / Color</u>																														
+V	10 / RD	Port 3	3 / WH/BK																														
-V	11 / WH	Port 4	4 / RD/BK																														
Ground	12 / BK	Port 5	5 / GN/BK																														
Port 1	1 / OG	Port 6	6 / OG/BK																														
Port 2	2 / BU	Port 7	7 / BU/BK																														
		Port 8	8 / BK/WH																														

Functional Wiring Diagrams

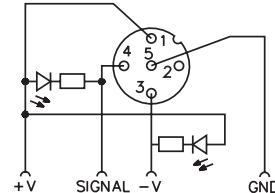
(No LED Version)
1 Signal Per Port



(PNP LED Version)
2 Signals Per Port



(NPN LED Version)
1 Signal Per Port

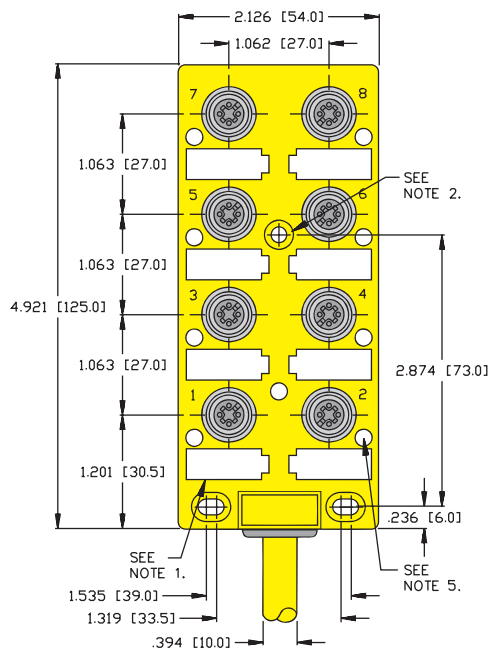


Specifications

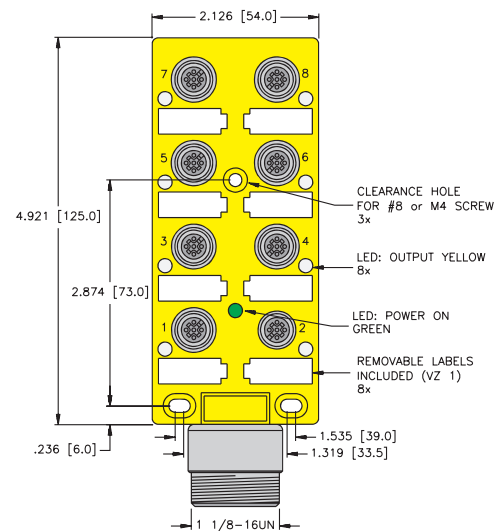
Housing:	Nylon.
Connectors:	eurofast®: Nylon or PUR, spacings to VDE 0110 Group C.
Contacts:	Gold plated brass.
Thread Inserts:	Stainless Steel.
Cable:	See table.
LED current:	10 mA maximum at 48 VDC supply voltage (per LED).
Temperature:	-30°C to +80°C (-22°F to +176°F)
Protection:	NEMA 1, 3, 4, 6P and IEC IP 67.
Accessories:	Includes (2) VZ 3 closure caps and a VZ 1 label kit (8 labels) included.
Cable Length:	Standard length is nominal 5 meters. Other lengths available upon request - Consult factory.

Dimensions

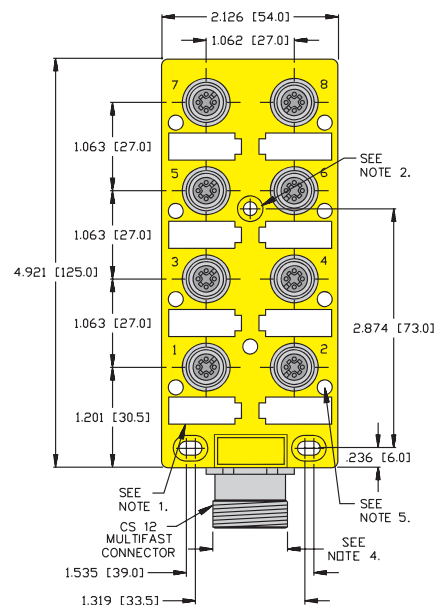
8-Port Integral Home Run Cable



8-Port with *minifast* Home Run Connector



8-Port with *multifast* Home Run Connector



Notes:

1. Removable labels included (Part number VZ 1).
2. Clearance hole for #8 screw (3 places).
3. Housings with integral cable: 23.0 mm thickness.
Housings with quick disconnect: 33.0 mm thickness.
4. For mating CKM cordsets. See **multifast** pages.
5. Green LED = Power on (center position) Yellow LED = Signal (outer position)

Pinout

Female	Male	Male
5-pin eurofast	12-pin multifast	12-pin minifast



multibox® eurofast® Junction Boxes, 2 Signals Per Port

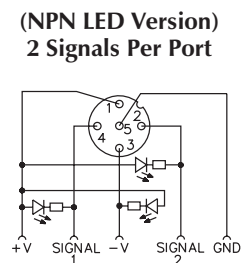
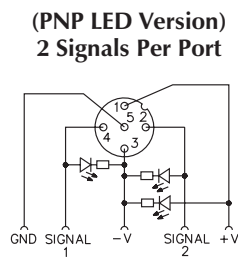
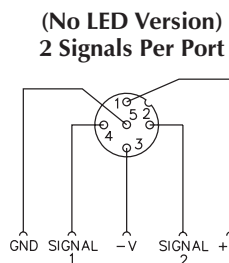
- 4-Ports
- Rugged Plastic Housing with Flush Connectors
- Available with or without LEDs
- Quick Disconnect or *minifast* Connector



4-port, 2-Signals per Port, 10-48 VDC

Application	Specifications	Pinout		No LEDs	PNP LED	NPN LED		
4-port J-box 2 signals per port Integral cable	3 A/port, 9 A total Yellow PVC cable** 3/18 AWG, 8/22 AWG, foil shield and 22 AWG drain CSA Certified **with PUR cable, add /S90	<u>Function</u> +V - V Gnd Port 1, Sig 1 Port 1, Sig 2	<u>Color</u> BN BU GN/YE WH GY/PK	<u>Function</u> Port 2, Sig 1 Port 2, Sig 2 Port 3, Sig 1 Port 3, Sig 2 Port 4, Sig 1 Port 4, Sig 2	<u>Color</u> GN RD/BU YE WH/GN GY BN/GN	VB 40.5-*	VB 40.5-P7X9-*	VB 40.5-N7X9-*
4-port J-box 2 signals per port multifast connector	3 A/port, 9 A total 19-pin multifast connector 11 conductors Mates with CKM 19-11-* CSA Certified	<u>Function</u> +V - V Gnd Port 1, Sig 1 Port 1, Sig 2	<u>Pin / Color</u> 19 / BN 6 / BU 12 / GN/YE 15 / WH 7 / GY/PK	<u>Function</u> Port 2, Sig 1 Port 2, Sig 2 Port 3, Sig 1 Port 3, Sig 2 Port 4, Sig 1 Port 4, Sig 2	<u>Pin / Color</u> 5 / GN 4 / RD/BU 16 / YE 8 / WH/GN 3 / GY 14 / BN/GN	VB 40.5-CS19	VB 40.5-P7X9-CS19	VB 40.5-N7X9-CS19

Functional Wiring Diagrams

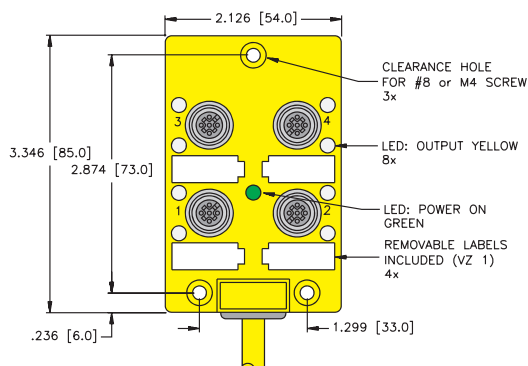


Specifications

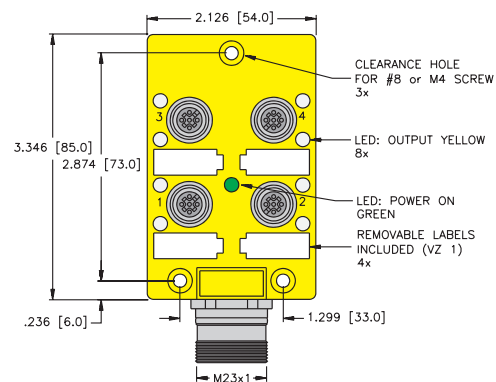
Housing:	Nylon.
Connectors:	eurofast [®] : Nylon or PUR, spacings to VDE 0110 Group C.
Contacts:	Gold plated brass.
Thread Inserts:	Stainless Steel.
Cable:	See table.
LED current:	10 mA maximum at 48 VDC supply voltage (per LED).
Temperature:	-30°C to +80°C (-22°F to +176°F).
Protection:	NEMA 1, 3, 4, 6P and IEC IP 67.
Accessories:	Includes (2) VZ 3 closure caps and a VZ 1 label kit (8 labels) included.
Recommended Splitter:	YB2-FSM 4.5-2 FKM 4.5/S1063.

Dimensions

4-Port with Integral Home Run Cable



4-Port with *multifast* Home Run Connector



Notes:

1. Removable labels included (Part number VZ 1).
2. Clearance hole for #8 screw (3 places).
3. Housings with integral cable: 23.0 mm thickness.
Housings with quick disconnect: 33.0 mm thickness.
4. For mating CKM cordsets. See **multifast** pages.
5. Green LED = Power on (center position)
Yellow LED = Signal (outer position)

Pinout

Female	Male
5-pin eurofast	19-pin multifast



multibox® eurofast® Junction Boxes, 2 Signals Per Port

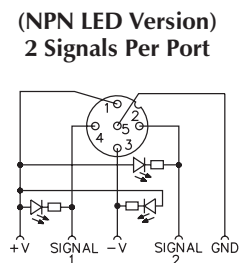
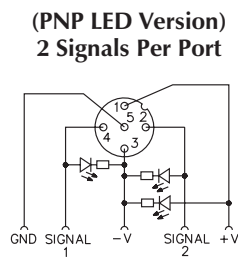
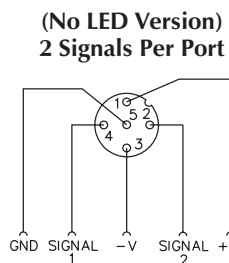
- 6 Ports
- Rugged Plastic Housing with Flush Connectors
- Available with or without LEDs
- Quick Disconnect or minifast Connector



6-port, 2-Signals per Port, 10-48 VDC

Application	Specifications	Pinout		No LEDs	PNP LED	NPN LED		
6-port J-box 2 signals per port Integral cable	3 A/port, 9 A total Yellow PVC cable** 3/18 AWG, 12/22 AWG, foil shield and 22 AWG drain CSA Certified **with PUR cable add /S90	<u>Function</u> +V - V Gnd Port 1, Sig 1 Port 1, Sig 2 Port 2, Sig 1 Port 2, Sig 2	<u>Color</u> BN BU GN/YE WH GY/PK GN RD/BU	<u>Function</u> Port 3, Sig 1 Port 3, Sig 2 Port 4, Sig 1 Port 4, Sig 2 Port 5, Sig 1 Port 5, Sig 2 Port 6, Sig 1 Port 6, Sig 2	<u>Color</u> YE WH/GN GY BN/GN PK WH/YE RD YE/BN	VB 60.5-*	VB 60.5-P7X13-*	VB 60.5-N7X13-*
6-port J-box 2 signal per port multifast connector	10-48 VDC 3 A/port, 9 A total 19-pin multifast connector 15 conductors Mates with CKM 19-15- CSA Certified	<u>Function</u> +V - V Gnd Port 1, Sig 1 Port 1, Sig 2 Port 2, Sig 1 Port 2, Sig 2	<u>Pin / Color</u> 19 / BN 6 / BU 12 / GN/YE 15 / WH 7 / GY/PK 5 / GN 4 / RD/BU	<u>Function</u> Port 3, Sig 1 Port 3, Sig 2 Port 4, Sig 1 Port 4, Sig 2 Port 5, Sig 1 Port 5, Sig 2 Port 6, Sig 1 Port 6, Sig 2	<u>Pin / Color</u> 16 / YE 8 / WH/GN 3 / GY 14 / BN/GN 17 / PK 9 / WH/YE 2 / RD 13 / YE/BN	VB 60.5-CS19	VB 60.5-P7X13-CS19	VB 60.5-N7X13-CS19

Functional Wiring Diagrams

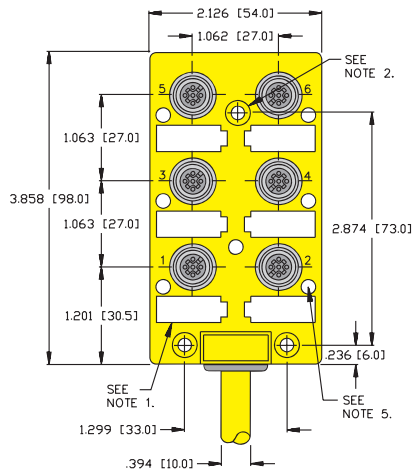


Specifications

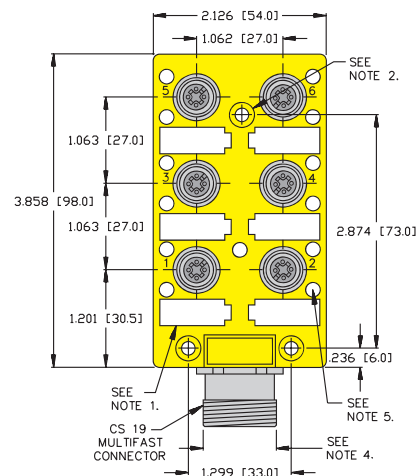
Housing:	Nylon.
Connectors:	eurofast®: Nylon or PUR, spacings to VDE 0110 Group C.
Contacts:	Gold plated brass.
Thread Inserts:	Stainless Steel.
Cable:	See table.
LED current:	10 mA maximum at 48 VDC supply voltage (per LED).
Temperature:	-30°C to +80°C (-22°F to +176°F).
Protection:	NEMA 1, 3, 4, 6P and IEC IP 67.
Accessories:	Includes (2) VZ 3 closure caps and a VZ 1 label kit (8 labels) included.
Recommended Splitter:	YB2-FSM 4.5-2 FKM 4.5/S1063.

Dimensions

6-Port Integral Home Run Cable



6-Port with *multifast* Home Run Connector



Notes:

1. Removable labels included (Part number VZ 1).
2. Clearance hole for #8 screw (3 places).
3. Housings with integral cable: 23.0 mm thickness.
Housings with quick disconnect: 33.0 mm thickness.
4. For mating CKM cordsets. See **multifast** pages.
5. Green LED = Power on (center position)
Yellow LED = Signal (outer position)

Pinout

Female	Male
5-pin eurofast	19-pin multifast



multibox® eurofast® Junction Boxes, 2 Signals Per Port

- 8 Ports
- Rugged Plastic Housing with Flush Connectors
- Available with or without LEDs
- Quick Disconnect or *minifast* Connector

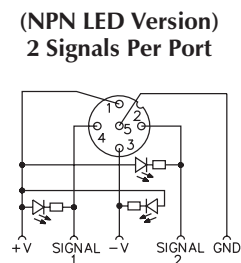
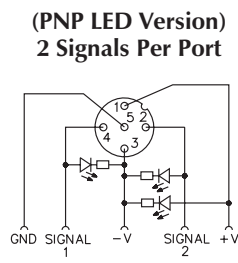
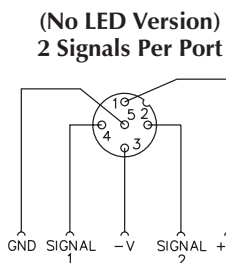


8-port, 2-Signals per Port, 10-48 VDC

Application	Specifications	Pinout				No LEDs	PNP LED	NPN LED
8-port J-box 2 signals per port Integral cable	3 A/port, 8 A total Yellow PVC cable** 3/18 AWG, 16/22 AWG, foil shield and 22 AWG drain CSA Certified **with PUR cable, add /S90	<u>Function</u>	<u>Color</u>	<u>Function</u>	<u>Color</u>	VB 80.5-*	VB 80.5-P7X17-*	VB 80.5-N7X17-*
		+V	BN	Port 4, Sig 1	GY			
- V	BU	Port 4, Sig 2	BN/GN					
Gnd	GN/YE	Port 5, Sig 1	PK					
Port 1, Sig 1	Wh	Port 5, Sig 2	Wh/YE					
Port 1, Sig 2	GY/PK	Port 6, Sig 1	RD					
Port 2, Sig 1	GN	Port 6, Sig 2	YE/BN					
Port 2, Sig 2	RD/BU	Port 7, Sig 1	BK					
Port 3, Sig 1	YE	Port 7, Sig 2	Wh/GY					
Port 3, Sig 2	Wh/GN	Port 8, Sig 1	VT					
		Port 8, Sig 2	GY/BN					
8-port J-box 2 signal per port multifast connector	3 A/port, 8 A total 19-pin multifast connector 19 conductors Mates with CKM 19-19- CSA Certified	<u>Function</u>	<u>Pin / Color</u>	<u>Function</u>	<u>Pin / Color</u>	VB 80.5-CS19	VB 80.5-P7X17-CS19	VB 80.5-N7X17-CS19
		+V	19 / BN	Port 4, Sig 1	3 / GY			
- V	6 / BU	Port 4, Sig 2	14 / BN/GN					
Gnd	12 / GN/YE	Port 5, Sig 1	17 / PK					
Port 1, Sig 1	15 / Wh	Port 5, Sig 2	9 / Wh/YE					
Port 1, Sig 2	7 / GY/PK	Port 6, Sig 1	2 / RD					
Port 2, Sig 1	5 / GN	Port 6, Sig 2	13 / YE/BN					
Port 2, Sig 2	4 / RD/BU	Port 7, Sig 1	11 / BK					
Port 3, Sig 1	16 / YE	Port 7, Sig 2	10 / Wh/GY					
Port 3, Sig 2	8 / Wh/GN	Port 8, Sig 1	1 / VT					
		Port 8, Sig 2	18 / GY/BN					

* Cable length in meters.

Functional Wiring Diagrams

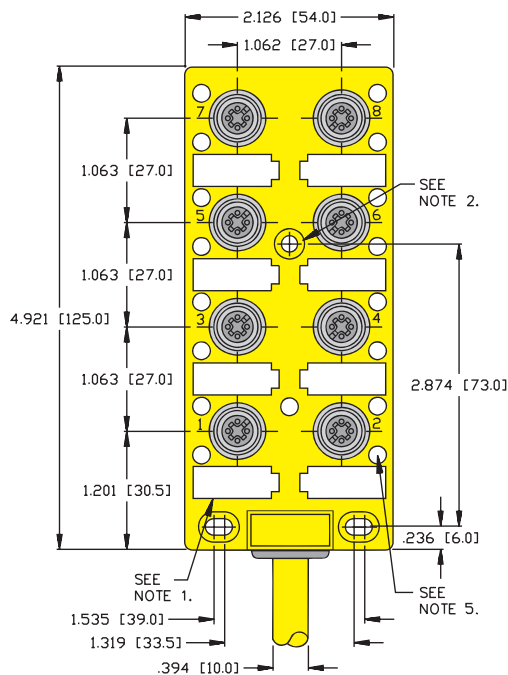


Specifications

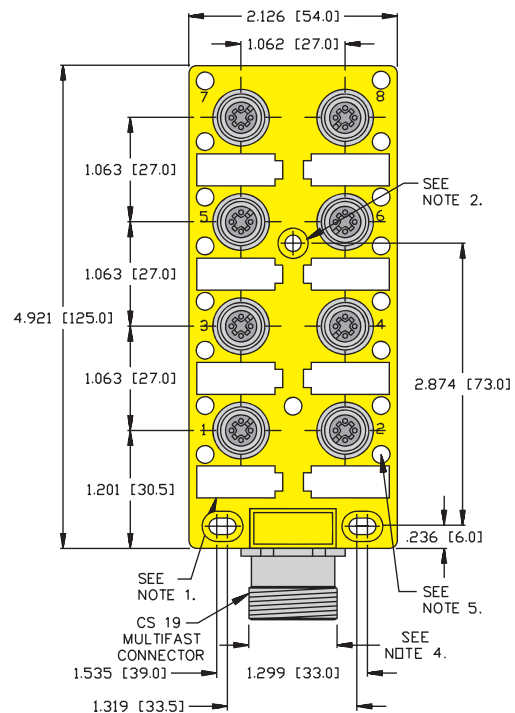
Housing:	Nylon.
Connectors:	eurofast®: Nylon or PUR, spacings to VDE 0110 Group C.
Contacts:	Gold plated brass.
Thread Inserts:	Stainless Steel.
Cable:	See table.
LED current:	10 mA maximum at 48 VDC supply voltage (per LED).
Temperature:	-30°C to +80°C (-22°F to +176°F).
Protection:	NEMA 1, 3, 4, 6P and IEC IP 67.
Accessories:	Includes (2) VZ 3 closure caps and a VZ 1 label kit (8 labels) included.
Recommended Splitter:	YB2-FSM 4.5-2 FKM 4.5/S1063.

Dimensions

8-Port Integral Home Run Cable



8-Port with *multifast* Home Run Connector



Notes:

1. Removable labels included (Part number VZ 1).
2. Clearance hole for #8 screw (3 places).
3. Housings with integral cable: 23.0 mm thickness.
Housings with quick disconnect: 33.0 mm thickness.
4. For mating CKM cordsets. See **multifast** pages.
5. Green LED = Power on (center position)
Yellow LED = Signal (outer position)

Pinout

Female	Male
5-pin eurofast	19-pin multifast



multibox® eurofast® Junction Boxes, 1 Signal Per Port, Metal

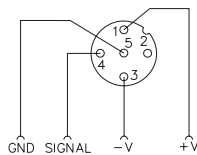
- 4 Ports
- Metal Housing with Side Connectors
- For DC Sensors and Actuators
- Quick Disconnect or Integral Home Run Cable
- Available with or without LEDs

4-port, 1 Signal Per Port, 10-48 VDC

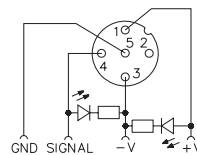
Application	Specifications	Pinout		No LEDs	PNP LEDs	
4-port J-box 1 signal per port Metal box Integral cable	4 A/port, 12 A total Yellow PVC cable 7/18 AWG foil shield and 20 AWG drain	Function +V - V Ground	Color BN BU GN / YE	Function Port 1 Port 2 Port 3 Port 4	Color Wh GN YE GY	VBM 40-* VBM 40-P7X5-*
4-port J-box 1 signal per port Metal box multifast connector	4 A/port, 8 A total 12-pin multifast connector 7 conductors Mates with CKM 12-7-*	Function +V - V Ground	Pin / Color 1 / BN 3 / BU 12 / GN/YE	Function Port 1 Port 2 Port 3 Port 4	Pin / Color 4 / WH 6 / GN 7 / YE 8 / GY	VBM 40-CS12 VBM 40-P7X5-CS12
4-port J-box 1 signal per port, Metal box minifast connector	4 A/port, 8 A total 12-pin minifast connector 7 conductors, Mates with RKM 126-*M CSA Certified	Function +V -V Ground Port 1 Port 2	Pin/Color 10 / RD 11 / WH 12 / BK 1 / OG 2 / BU	Function Port 3 Port 4	Pin/Color 3 /WH/BK 4 / RD/BK	VBM 40-RSF120 VBM 40-P7X5-RSF120

Functional Wiring Diagrams

**(No LED Version)
1 Signal Per Port**



**(PNP LED Version)
1 Signal Per Port**

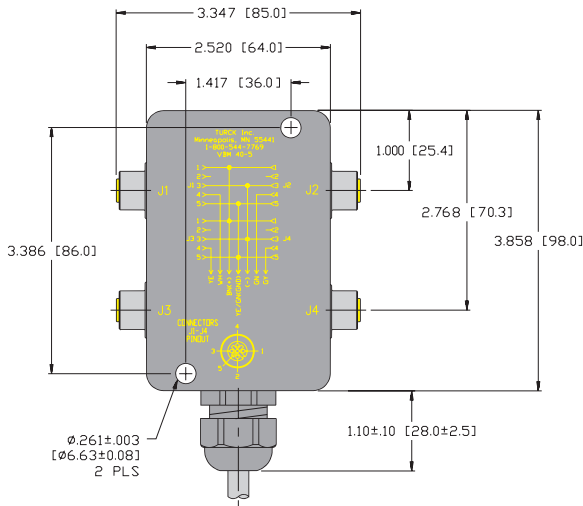


Specifications

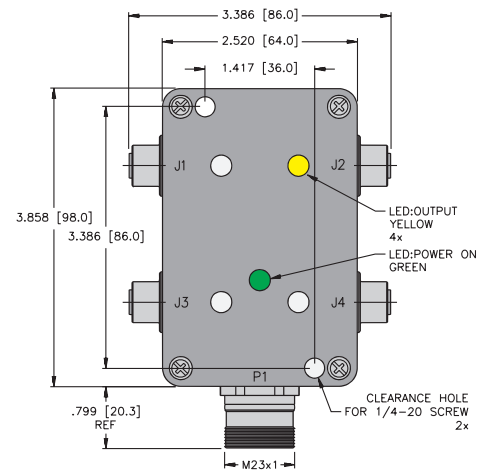
Housing:	Die-cast aluminum alloy.
Connectors:	eurofast [®] : Nylon or PUR, spacings to VDE 0110 Group C.
Contacts:	Gold plated brass.
Thread Inserts:	Nickel plated brass.
Cable:	See table.
LED Current:	10 mA maximum at 40 VDC supply voltage (per LED).
Temperature:	-30°C to +80°C (-22°F to +176°F)
Protection:	NEMA 1, 3, 4, 6P and IEC IP 67.
Accessories:	(2) VZ 3 closure caps included.
Cable Length:	Standard length for junction boxes and multifast [®] series quick disconnect cordsets is nominal 5 meters. Other lengths available by request. Consult factory.

Dimensions

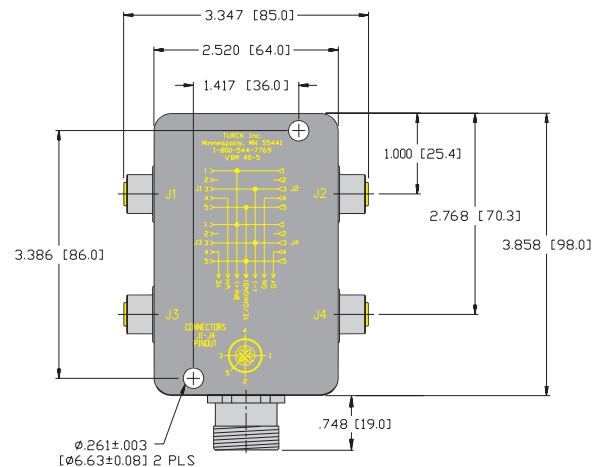
4-Port with Integral Home Run Cable



4-Port with *multifast* Home Run Connector



4-Port with *minifast* Home Run Connector



Pinout

Female	Male	Male
5-pin <i>eurofast</i>	12-pin <i>minifast</i>	12-pin <i>multifast</i>



multibox® eurofast® Junction Boxes, 1 Signal Per Port, Metal

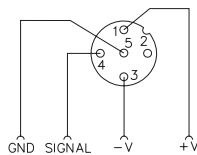
- 8 Ports
- Metal Housing with Side Connectors
- For DC Sensors and Actuators
- Quick Disconnect or Integral Home Run Cable
- Available with or without LEDs

8-port, 1 Signal Per Port, 10-48 VDC

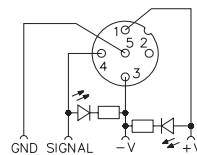
Application	Specifications	Pinout		No LEDs	PNP LEDs		
8-port J-box 1 signal per port Metal box Integral cable	4 A/port, 12 A total Yellow PVC cable 11/18 AWG, foil shield and 20 AWG drain	Function	Color	Function	Color	VBM 80-*	VBM 80-P7X9-*
		+V	BN	Port 4	GY		
		- V	BU	Port 5	PK		
		Ground	GN / YE	Port 6	RD		
		Port 1	WH	Port 7	BK		
		Port 2	GN	Port 8	VT		
		Port 3	YE				
8-port J-box 1 signal per port Metal box multifast connector	4 A/port, 8 A total 12-pin multifast connector 9 conductors Mates with CKM 12-11-*	Function	Pin / Color	Function	Pin / Color	VBM 80-CS12	VBM 80-P7X9-CS12
		+V	1 / BN	Port 4	7 / GY		
		- V	3 / BU	Port 5	8 / PK		
		Ground	12 / GN/YE	Port 6	9 / RD		
		Port 1	4 / WH	Port 7	10 / BK		
		Port 2	5 / GN	Port 8	11 / VT		
		Port 3	6 / YE				
8-port J-box 1 signal per port Metal box minifast connector	4 A/port, 8 A total 12-pin minifast connector 9 conductors, Mates with RKM 126- CSA Certified	Function	Pin/Color	Function	Pin/Color	VBM 80-RSF120	VBM 80-P7X9-RSF120
		+V	10 / RD	Port 3	3 / WH/BK		
		-V	11 / WH	Port 4	4 / RD/BK		
		Ground	12 / BK	Port 5	5 / GN/BK		
		Port 1	1 / OG	Port 6	6 / OG/BK		
		Port 2	2 / BU	Port 7	7 / BU/BK		
				Port 8	8 / BK/WH		

Functional Wiring Diagrams

**(No LED Version)
1 Signal Per Port**



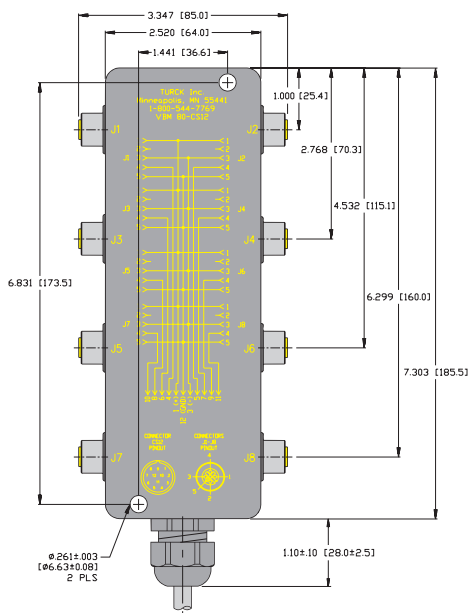
**(PNP LED Version)
1 Signal Per Port**



Specifications

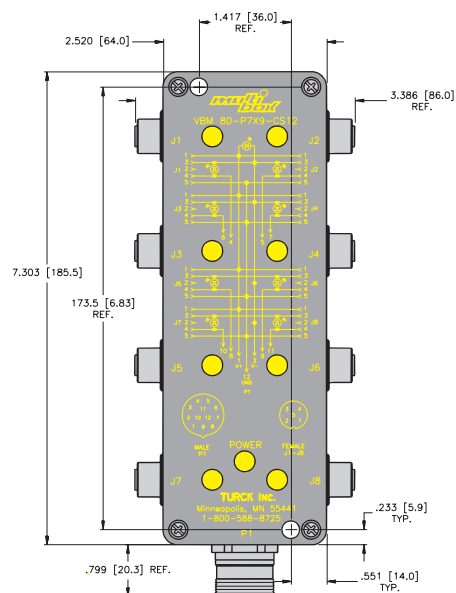
Housing:	Die-cast aluminum alloy.
Connectors:	eurofast [®] : Nylon or PUR, spacings to VDE 0110 Group C.
Contacts:	Gold plated brass.
Thread Inserts:	Nickel plated brass.
Cable:	See table.
LED Current:	10 mA maximum at 40 VDC supply voltage (per LED).
Temperature:	-30°C to +80°C (-22°F to +176°F)
Protection:	NEMA 1, 3, 4, 6P and IEC IP 67.
Accessories:	(2) VZ 3 closure caps included.
Cable Length:	Standard length for junction boxes and multifast [®] series quick disconnect cordsets is nominal 5 meters. Other lengths available by request. Consult factory.

8-Port with Integral Home Run Cable

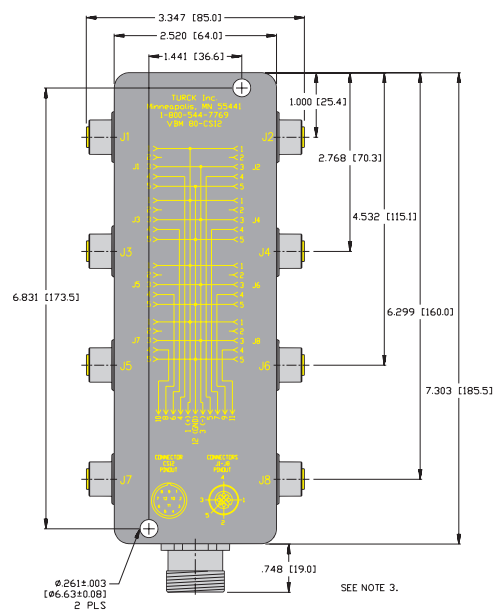


Dimensions

8-Port with *multifast* Home Run Connector



8-Port with *minifast* Home Run Connector



Pinout

Female	Male	Male
5-pin eurofast	12-pin minifast	12-pin multifast



multibox® eurofast® Junction Box, 16-port

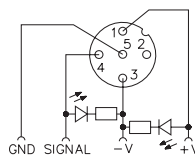
- Single Output per Port
- Rugged Plastic Housing with Flush Connectors
- Quick Disconnect
- Available with LEDs

16-port, 1-Signal per Port, 10-48 VDC

Application	Specifications	Pinout		PNP LED
16-port J-box 1 signal per port multifast connector	4 A/port 8 A total 12-pin multifast connector Mates with CKM 19-19- CSA Certified	Function	Pin / Color	16MB12-4P2-CS19
		+V	19 / BN	
		-V	6 / BU	
		Ground	12 / GN / YE	
		Port 1	15 / WH	
		Port 2	7 / GY / PK	
		Port 3	5 / GN	
		Port 4	4 / RD / BU	
		Port 5	16 / YE	
		Port 6	8 / WH / GN	
		Port 7	3 / GY	
		Port 8	14 / BN / GN	
		Port 9	17 / PK	
		Port 10	9 / WH / YE	
		Port 11	2 / RD	
		Port 12	13 / YE / BN	
		Port 13	11 / BK	
		Port 14	10 / WH / GY	
		Port 15	1 / VT	
		Port 16	18 / GY / BN	

Functional Wiring Diagram

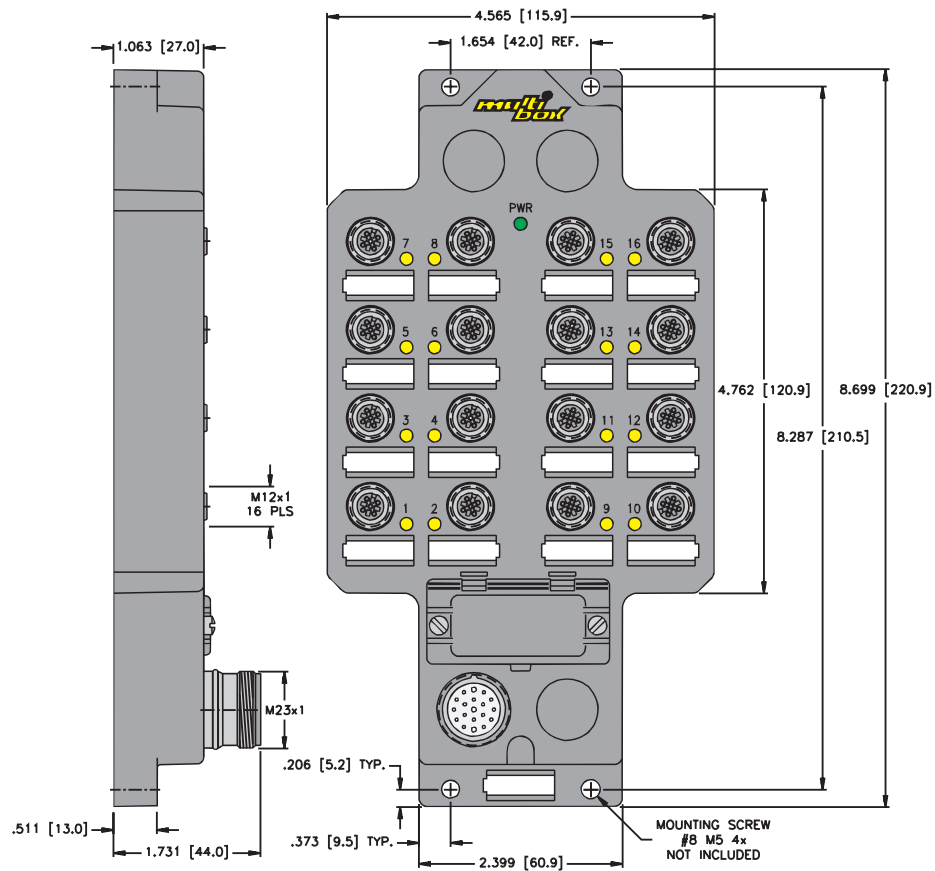
(PNP LED Version)
1 Signal Per Port



Specifications

Housing:	Nylon.
Connectors:	Nylon/BK (1,1A-8,8A), Nitrile/Yellow (P1), spacings to VDE 0110 Group C.
Contacts:	Gold plated brass.
Thread Inserts:	Nickel plated brass.
LED current:	10 mA maximum at 48 VDC supply voltage (per LED).
Temperature:	-30°C to +80°C (-22°F to +176°F).
Protection:	To DIN 40050, IEC IP 67
Accessories:	Includes (2) VZ 3 closure caps and a VZ 1 label kit (16 labels) included.
Cable Length:	Standard length is nominal 5 meters. Other lengths available upon request - Consult factory.

Dimensions



Pinout

Female	Male
5-pin eurofast	19-pin multifast

Multibox, eurofast



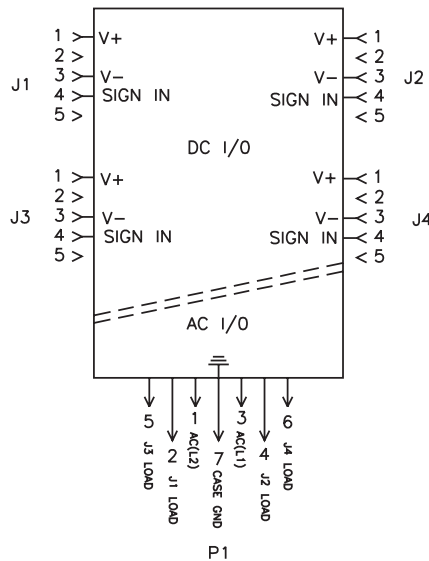
multibox® eurofast® AC/DC Junction Box, 4-Port

- 4 Ports for connecting DC sensors
- Integrated DC power supply
- Solid-State AC output from DC sensors
- LED shows power supply function
- Home run wiring matches standard AC style junction boxes for easy installation

4-port, 85-132 VAC

Application	Specifications	Pinout	Part Number																
4-Port J-box for DC sensors in AC applications	85 - 132 VAC input 24 VDC output to sensors 100 mA output per port 7-pin <i>minifast</i> ® connector Mates with RKM 76-*M	<table border="0"> <tr> <td>Function</td> <td>Pin/Color</td> </tr> <tr> <td>L1 AC Common</td> <td>3 / WH</td> </tr> <tr> <td>L2 AC</td> <td>1 / WH / BK</td> </tr> <tr> <td>Ground</td> <td>7 / GN</td> </tr> <tr> <td>J1 Load (L2)</td> <td>2 / BK</td> </tr> <tr> <td>J2 Load (L2)</td> <td>4 / RD</td> </tr> <tr> <td>J3 Load (L2)</td> <td>5 / OG</td> </tr> <tr> <td>J4 Load (L2)</td> <td>6 / BU</td> </tr> </table>	Function	Pin/Color	L1 AC Common	3 / WH	L2 AC	1 / WH / BK	Ground	7 / GN	J1 Load (L2)	2 / BK	J2 Load (L2)	4 / RD	J3 Load (L2)	5 / OG	J4 Load (L2)	6 / BU	VBM-AC/DC/AC-RSM 70/ADAPTER BOX
Function	Pin/Color																		
L1 AC Common	3 / WH																		
L2 AC	1 / WH / BK																		
Ground	7 / GN																		
J1 Load (L2)	2 / BK																		
J2 Load (L2)	4 / RD																		
J3 Load (L2)	5 / OG																		
J4 Load (L2)	6 / BU																		

Functional Wiring Diagram

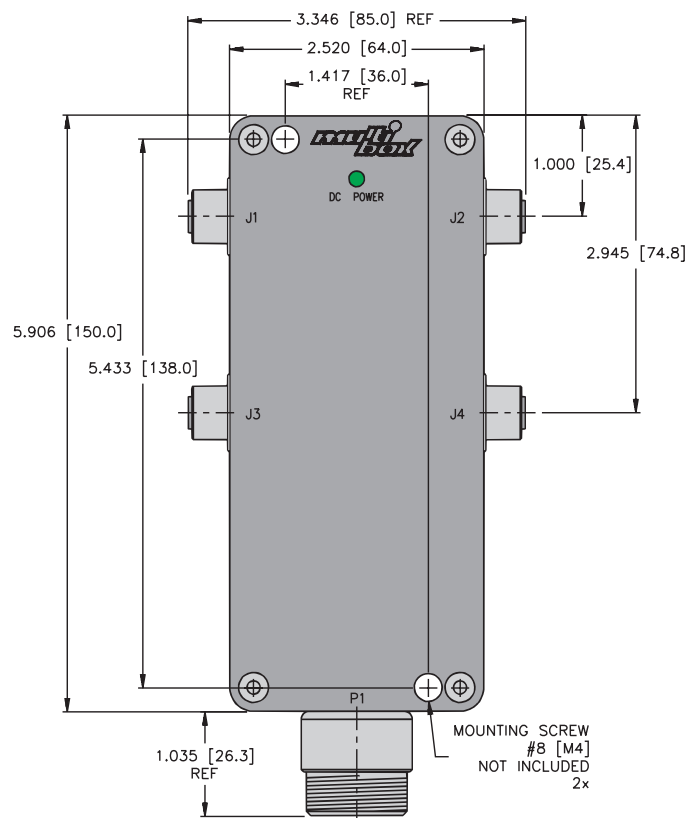


Specifications

Housing:	Die cast aluminum alloy.
Contact Carrier:	<i>eurofast</i> ®: Nylon or PUR. <i>minifast</i> ®: PUR.
Contacts:	Gold plated brass.
Thread Inserts:	Nickel plated brass.
Temperature:	-30°C to +70°C (-22°C to +158°F).
Protection:	NEMA 1, 3, 4, 6P and IEC IP 67.
Accessories:	VZ 3 Closure Caps (2 included).

Dimensions

4-Port



Pinout

Female	Male
5-pin eurofast	7-pin minifast

Multibox, eurofast