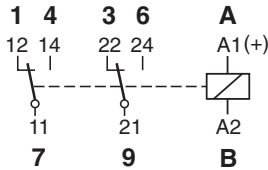




**Relay compatible with sockets:**

S5-S, S5-L, S5-P, S5-PO



# C5-A20



General purpose  
Two change-over contacts

**16 A 400 V AC1      0.5 A 110 V DC1**  
**16 A 30 V DC1      0.2 A 220 V DC1**

### Contacts

Materials: Standard, code 0      AgNi  
Optional, code 8      AgNi + 10µAu  
Optional, code 9      AgNi + 0.2µAu

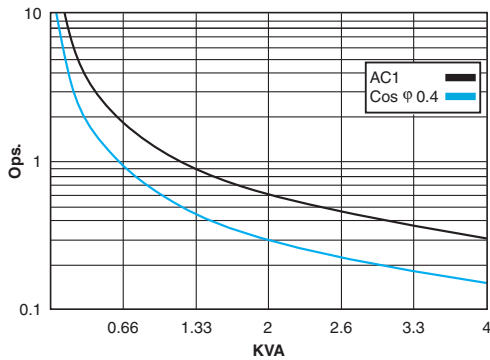
Max. switching current      16 A  
Max. peak inrush current (20 ms)      40 A  
Max. switching voltage      400 V  
Max. AC load (Table 1)      4 KVA  
Max. DC load (Table 2)

### Coils (Ohms ±10% @ 20°C)

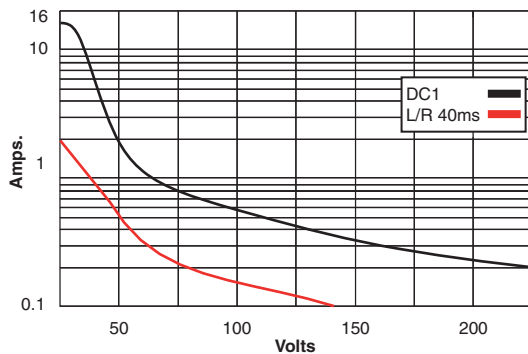
Pull-in voltage      ≤0.8 x U<sub>n</sub>  
Drop-out voltage      ≥0.1 x U<sub>n</sub>  
Nominal coil power      2.4 VA (AC)/1.4 W (DC)

VAC	Ω	mA	VDC	Ω	mA
24	65	100	24	414	58
48	286	50	48	1K6	30
115	1K7	21	110	8K1	13
230	6K8	10	220	35K6	6
400	18K8	6			

**Table 1** Electrical Life, ops. x 10<sup>6</sup>



**Table 2** Max. DC Load



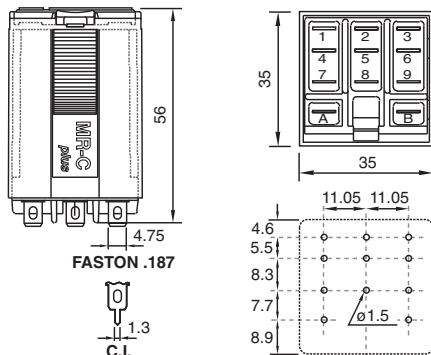
### Insulation

Dielectric strength (1 minute): Open contacts      1,000 V  
Between adjacent poles      4 KV  
Between contacts and coil      4 KV  
Isolation resistance at 500 V      ≥3 GΩ  
Isolation, IEC 61810-5:      4 KV/3

### Specifications

Operate time + bounce time      20 ms  
Release time + bounce time      10 ms  
Ambient temperature      -40°C (no ice) to +70°C  
Mechanical life ops.      10 Mill. AC, 20 Mill. DC relays  
Electrical life at nominal load      ≥100,000 ops.  
Operating frequency at nominal load      1,200/hour  
Protection degree      IP 40/RT1  
Weight avg.      90 g

### Dimensions - mm



### Standard Types

**AC 50 Hz, (60 Hz): 24, 48, 115, (120), 230, (240), 400**  
X = LED (standard)      C5-A20X.....VAC  
RC suppressor      C5-A20R.....VAC

### DC 24, 48, 110, 220

X = LED, no polarity (standard)      C5-A20X..... VDC  
Free-wheeling diode      C3-A20DX .... VDC  
Polarity and free-wheeling diodes      C5-A20FX..... VDC  
AC/DC bridge rectifier (24, 48 or 60 V)      C5-A20BX .... VDC