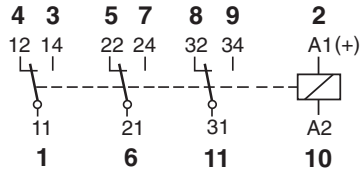


Relay compatible with sockets:

S3-B, S3-S, S3-MP, S3-MS, S3-L, S3-PO



C3-A30



General purpose
Three pole, change-over contacts

10 A 250 V AC1 0.5 A 110 V DC1
10 A 30 V DC1 0.5 A 220 V DC1

Contacts

Materials: Standard, code 0 AgNi
Optional, code 8 AgNi + 10µ Au
Optional, code 9 AgNi + 0.2µ Au

Max. switching current 10 A
Max. peak inrush current (20 ms) 30 A
Max. switching voltage 250 V
Max. AC load (Table 1) 2.5 KVA
Max. DC load (Table 2)

Coils (Ohms ±10% @ 20°C)

Pull-in voltage ≤0.8 x U_n
Drop-out voltage ≥0.1 x U_n
Nominal coil power 2.2 VA (AC)/1.3 W (DC)

VAC	Ω	mA	VDC	Ω	mA
24	67	92	24	433	54
48	296	46	48	1K8	27
115	1K7	19	110	9K2	12
230	7K1	9.5	220	36K1	6

Table 1 Electrical Life, ops. x 10⁶

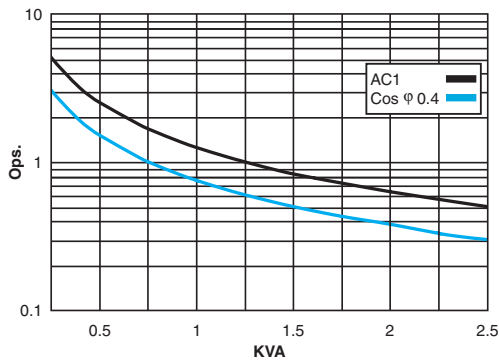
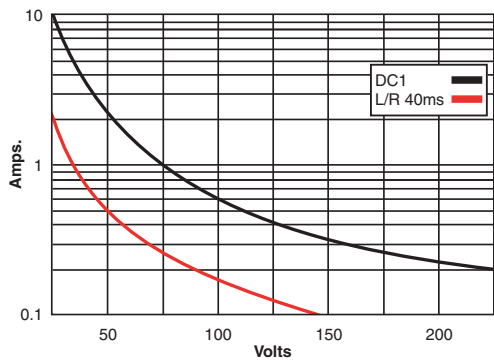


Table 2 Max. DC Load



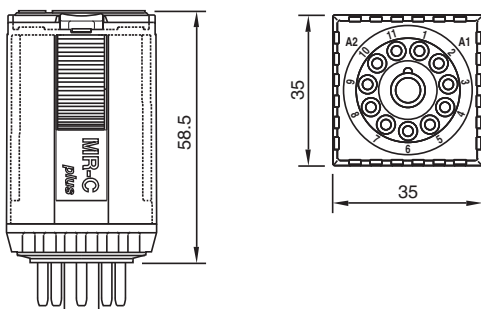
Insulation

Dielectric strength (1 minute): Open contacts 1,000 V
Between adjacent poles 2.5 KV
Between contacts and coil 2.5 KV
Isolation resistance at 500 V ≥1 GΩ
Isolation, IEC 61810-1: 2.5 KV/3

Specifications

Operate time + bounce time 16 ms
Release time + bounce time 8 ms
Ambient temperature -40°C (no ice) to +70°C
Mechanical life ops. 10 Mill. AC, 20 Mill. DC relays
Electrical life at nominal load 100,000 ops.
Operating frequency at nominal load 1,200/hour
Protection degree IP 40/RT1
Weight avg. 90 g

Dimensions - mm



Standard Types

AC 50 Hz, (60 Hz): 24, 48, 115, (120), 230, (240)
X = LED (standard) C3-A30X.....VAC
RC suppressor C3-A30R.....VAC

DC 24, 48, 110, 220
X = LED, no polarity (standard) C3-A30X..... VDC
Free-wheeling diode C3-A30DX VDC
Polarity and free-wheeling diodes C3-A30FX..... VDC
AC/DC bridge rectifier (24, 48 or 60 V) C3-A30BX VDC