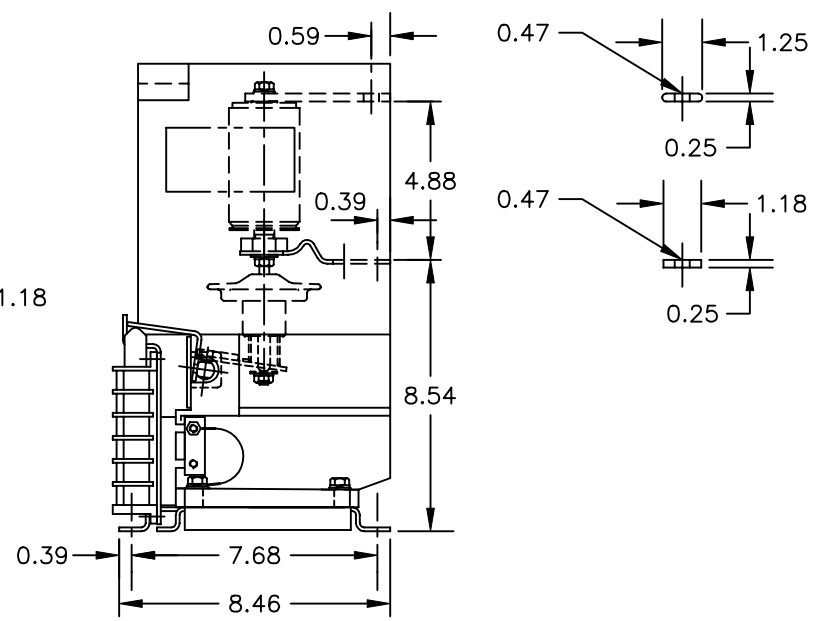


FRONT VIEW



RIGHT SIDE VIEW

REFERENCE PART NO.
3H9G0439

4						TOSHIBA <small>YEHU-HIBA, INTERNATIONAL CORPORATION</small> <small>MADE IN INDUSTRIAL TOWNS U.S.A.</small> <small>THIS MATERIAL IS THE SOLE PROPERTY OF TOSHIBA INTERNATIONAL CORPORATION AND SHALL NOT BE REPRODUCED, USED, OR DISCLOSED TO OTHERS UNLESS PRIOR WRITTEN AUTHORIZATION IS OBTAINED.</small>	TITLE: OUTLINE DIAGRAM - M.V. VACUUM CONTACTOR HCV5HA	REVISION: 0	SCALE: 1.0=2.0
3							CUSTOMER: MV	JOB NUMBER: MV	DRAWING NUMBER: VDA7X003
2									
1									
0	01/20/80	PROF. ISSUE	TEH	RL	AL				
REV	DATE	DESCRIPTION	BY	CHK	APPR				