

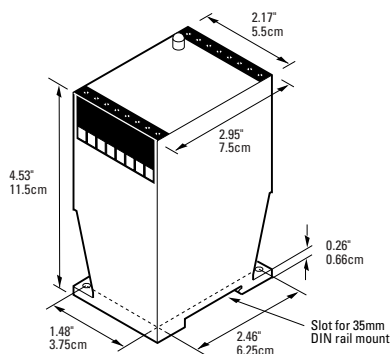
INT Monitor Relay “Integrity Series”

INT-03 Series

Applications

- Meets European Machine Safety Standards, Risk Category 4
- Designed for use with 300-BT Series GuardSwitch™
- Requires both normally-open and normally-closed inputs
- Inhibits machine restart in case of component failure
- Provides 2 safe outputs plus a form C output for signaling
- Low current for longer GuardSwitch life
- DIN Rail or panel mount
- LED power on indicator

Panel Mount Dimensions



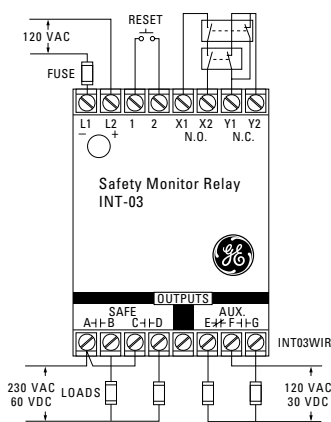
The INT-03-024 or INT-03-120, Safety Monitor Relay is intended for use as a part of a safety circuit in guard interlock applications. It is a safety relay which uses positive-guided relays, configured for self-checking, to inhibit machine start-up in the event of an internal component failure.

Both normally-open and normally-closed inputs are required. Multiple N.O. contacts can be wired in series while multiple N.C. contacts can be wired in parallel. Upon failure of either the N.O. or N.C. contact, the relay will prevent restart.

The INT-03 relay can also monitor contacts on external relays for controlling expansion block relays (INT-05 and INT-06).

Wiring

Door Open Configuration



General Specifications

UL/TUV	All Models
Control Inputs (X1, X2 & Y1, Y2 terminals)	
Open-circuit voltage	24VDC
Closed-circuit current	24mA
Max. contact resistance	30 Ohms
Simultaneity	500 ms typical
Safe Outputs (A,B/C,D terminals)	
Voltage	230 VAC/60VDC
Current	4A (resistive)
Resonse time	< 100 ms
Fuse	4A, 250V, 5 x 20 mm, F/T
AUX. Signaling Outputs (E,F,G terminals) (SPDT)	
Voltage	120 VAC/30VDC
Current	1A (resistive)

Note: Transient protection is required across the load when switching an inductive load.

Operation

- With a RESTART button from Terminal 1 to 2, INT-03 energizes after all guards are in place and RESET button is pressed (monitored contacts must also be closed).
- With a jumper from Terminal 1 to 2, INT-03 energizes when all guards are in place (autostart).
- With no connection from Terminal 1 to 2, INT-03 will not energize.

AUX CONTACTS			
Power	Guards	E,F	F,G
Off	Open or Closed	Closed	Open
On	Closed	Closed	Open
On	Open	Open	Closed



U9880128199003

Order Information	Electrical Specifications	
Part Number	Power Input (L1,L2)	Required Fuse
INT-03-024	24VDC±20%	Fast Acting 1/4 A (250V, 5 x 20mm, F/T)
INT-03-120	120VAC+10%, - 20%, 50/60 Hz, 5VA	Fast Acting 80mA (250V, 5 x 20 mm, F/T)

Warning— Each electrical rating is an individual maximum and cannot be exceeded!