



Interlock Switch

381 GuardSwitch

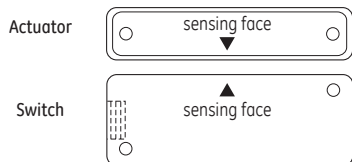
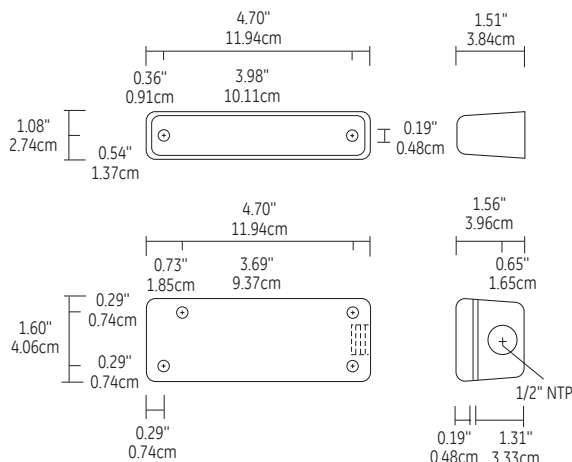
1/2" Conduit Enclosure

Applications

- Requiring Highly Defeat Resistant Switches
- Heavy-duty Housing
- Conduit Connection
- Terminals
- Non-wash down Environment

General Specifications

Enclosure	Coated Aluminum
Temperature Range	-40°F to 180°F (-40°C to 80°C)
Environmental	Hermetically Sealed Contact Switch Encapsulated in Polyurethane
NEMA Rating	1, 2, 5
Protection Class	IP 64
Response Time	1 msec (5.4VA); 10 msec (150VA)
Life Cycles	100,000 Under Full Load; Up to 200,000,000 Under Dry Circuit
Conduit Connection	1/2" Threaded NPT
UL/CSA	All Models



File E 122942

LR89176

Order Info. Electrical Specifications

Part No.	Contact ¹ Config.	Load Rating		Switching Voltage, Max.		Switching Current, Max.		Contact Resistance	Sense Range ²		Break Range	Terminal Type
		AC	DC	AC	DC	AC	DC		Max.	Min.		
381-CT	N.O.	2.5VA	2.5W	30V(@0.08A)	30V(@0.08A)	0.18A(@13.8V)	0.18A(@13.8V)	0.5 Ohms	0.75"(1.9cm)	0.375"(1.0cm)	1.2"(3.0cm)	#6 Screw
381-DT ⁴	N.O.	150VA	NA	120V(@1.25A)	NA	1.25A(@120V) ³	NA	NA	0.75"(1.9cm)	0.375"(1.0cm)	1.2"(3.0cm)	#6 Screw

Warning— Each electrical rating is an individual maximum and cannot be exceeded!

¹ Configuration with actuator away from the switch

² Proximity of ferrous materials usually reduces sense range — typically by 50%. The shape and type of material cause a wide diversity of effects. Testing is required to determine actual sense range for specific applications.

³ Can withstand inrush surge up to 4 amps. Voltage drop is 1.5V, minimum switch current, 30 mA, triac output.

⁴ Do not exceed 10 switches in series.

INTERLOCK SWITCH
300 SERIES