

# Safety Switch

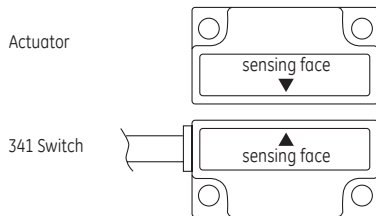
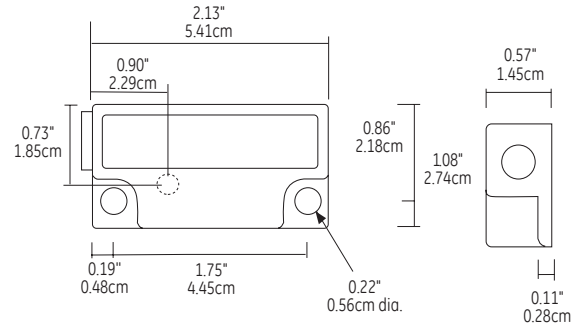
## 341-BT GuardSwitch

### Applications

- Requiring Highly Defeat Resistant Switches
- Meets ANSI, Semi S2 & European Safety Standard for the Highest Machine Risk Category 4 when used with the INT Safety Relay
- Washdown Environments
- Packaging Machinery
- Pharmaceutical Equipment
- Semiconductor Equipment
- Food Processing Machinery

### General Specifications

|                                     |   |
|-------------------------------------|---|
| Enclosure                           | Kynar® Polyvinylidene Flouride with sonic welded lid  |
| Temperature Range                   | 14°F to 150°F (-10°C to 65°C)   |
| Environmental                       | Hermetically Sealed Contact Switch Encapsulated in Polyurethane   |
| NEMA Rating                         | 1, 2, 4, 4X, 5, 12, 12K, 13   |
| Protection Class                    | IP 67   |
| Response Time (individual circuits) | 1 msec<br>The two circuits do not switch simultaneously and depend on the speed of the guard closure.               |
| Life Cycles                         | A delay less than 50 msec is typical.<br>100,000 Under Full Load;<br>Up to 200,000,000 Under Dry Circuit            |
| Lead Types/O.D.                     | 18/4 SJTOW (K) / 0.34" (0.86cm)<br>22/4 PVC Jacketed (J) / 0.19" (0.48cm)<br>22/6 PVC Jacketed (J) / 0.21" (0.53cm) |
| UL/CSA/TUV                          | All Models  |



File E 122942

LR89176

U9880128199005  
When used with INT Safety Monitor Relay

### Electrical Specifications (Applies to all models)

| Circuit No. | Circuit Type   | Contact Configuration | Load Rating | MAX Switching Voltage | MAX Switching Current |
|-------------|----------------|-----------------------|-------------|-----------------------|-----------------------|
| 1           | Switch         | N.O.                  | 10W/VA      | 48VAC/VDC             | 0.2A                  |
| 2           | Tamper         | N.C.                  | 10W/VA      | 48VAC/VDC             | 0.2A                  |
| 2           | w/optional LED | N.C.                  | 0.1-1.4W    | 48VDC(3V drop)        | 30mA                  |
| 3           | Monitor        | N.O.                  | 10W/VA      | 48VAC/VDC             | 0.2A                  |

### Order Information

| Part Number       | Contact <sup>1</sup> Configuration | Sense Range <sup>2</sup> Minimum | Sense Range <sup>2</sup> Maximum | Break <sup>2</sup> Range | Lead Length |
|-------------------|------------------------------------|----------------------------------|----------------------------------|--------------------------|-------------|
| 341-BT-06K        | DPST: 1 N.O., 1 N.C.               | 0.12"(0.3cm)                     | 0.38"(1.0cm)                     | 0.75"(1.9cm)             | 6' (1.8m)   |
| 341-BT-12(J)OR(K) | DPST: 1 N.O., 1 N.C.               | 0.12"(0.3cm)                     | 0.38"(1.0cm)                     | 0.75"(1.9cm)             | 12' (3.6m)  |
| 341-BLT-12K       | DPST: 1 N.O., 1 N.C. w/ LED        | 0.12"(0.3cm)                     | 0.38"(1.0cm)                     | 0.75"(1.9cm)             | 12' (3.6m)  |
| 341-B3T-12J       | TPST: 2 N.O., 1 N.C.               | 0.12"(0.3cm)                     | 0.38"(1.0cm)                     | 0.75"(1.9cm)             | 12' (3.6m)  |
| 341-B3LT-12J      | TPST: 2 N.O., 1 N.C. w/LED         | 0.12"(0.3cm)                     | 0.38"(1.0cm)                     | 0.75"(1.9cm)             | 12' (3.6m)  |

**Warning— Each electrical rating is an individual maximum and cannot be exceeded!**

<sup>1</sup> Configuration with actuator away from the switch

<sup>2</sup> Proximity of ferrous materials usually reduces sense range — typically by 50%. The shape and type of material cause a wide diversity of effects. Testing is required to determine actual sense range for specific applications.