

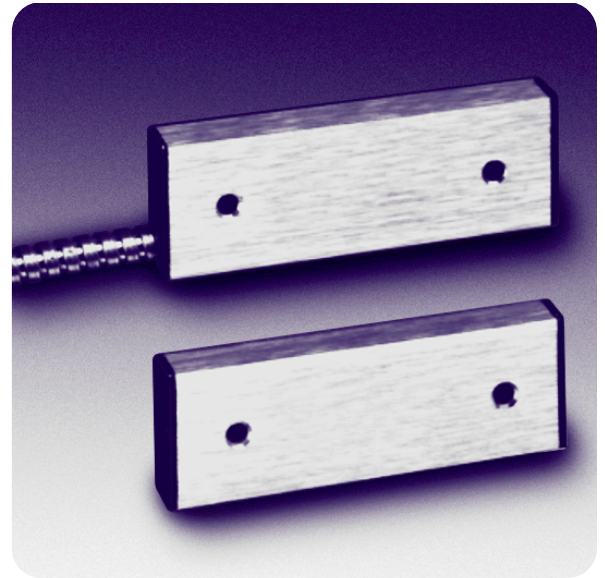


Industrial Wide Gap Surface Mount

2500 Series

Overview

The 2500 Series is designed to be installed in commercial and industrial environments where a rugged sealed unit is required. It is ideal for metal doors, overhead doors, fences and gates. Each model features a high strength extruded aluminum housing and is completely encapsulated in our exclusive polyurethane potting compound. The 2500 series feature wide gap distances and several models to meet any application need. Jacketed lead or armored cable is available.



Standard Features

- *Wide gap distance for decreased installation time*
- *Fewer false alarms*
- *Fewer service calls*
- *Six models including SPDT, DPDT and High Security*
- *Mounting brackets available*

Model Numbers

2505, 2505A, 2507, 2507A, 2507AD, 2507AH

Industrial Wide Gap Surface Mount

2500 Series

Architectural and Engineering Specifications

The contact shall be a hermetically sealed reed switch nominally 3" L x 1" H x 0.50" D with matching actuating magnet. Mounting holes shall be on 2" centers. Contact and magnets shall be in brushed anodized aluminum tube housing. Contact shall be sealed in our exclusive polyurethane potting compound. Right angle mounting bracket shall be furnished with contact, #1912. Contacts shall be specified as part numbers 2505, 2505A, 2507, 2507A, 2507AD, 2507AH.

2505, 2505A, 2507, 2507A

Each contact shall connect to three feet of vinyl-jacketed cable (2505, 2507) or three feet of flex stainless steel conduit (2505A, 2507A).

2507AD (not ULC listed)

The contact shall contain two single-poled double throw reed contacts. Three feet of flex stainless steel conduit shall be permanently attached to the contact.

2507AH (not ULC listed)

The contact shall be a Form C (SPDT) reed contact biased with an Alnico VII magnet. Contact will be difficult to defeat with an external magnet. Three feet of flex stainless steel conduit shall be permanently attached to the contacts.

Specifications

Form A (2505, 2505A)

Voltage 100V AC/DC max.

Current 0.5A max.

Power 7.5W max.

European Union Specification 48V AC/DC max.

Form C (2507, 2507A, 2507AD, 2507AH)

Voltage 30V AC/DC max.

Current 0.25A max.

Power 3.0W max.

SPDT Lead Colors

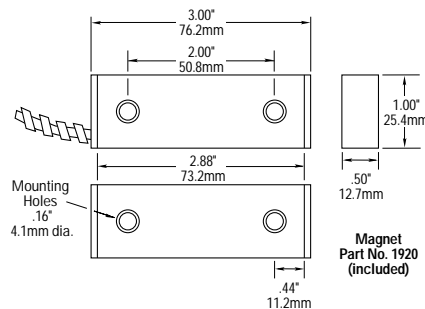
Black Common

White Closed Loop (N.O.)

Red Open Loop (N.C.)

Listing C-UL-US, UL-634

Dimensions



Ordering Information

Model	Loop Type	Electrical Configuration	Gap Distance (Make)*	Lead Type
2505	Closed	N.O.	Up to 3"	3' vinyl jacketed
2505A	Closed	N.O.	Up to 3"	3' stainless steel armored cable
2507	Open or Closed	SPDT	Up to 3"	3' vinyl jacketed
2507A	Open or Closed	SPDT	Up to 3"	3' stainless steel armored cable
2507AD no Canadian listing	Open or Closed	DPDT	Up to 1 1/2"	3' stainless steel armored cable
2507AH no Canadian listing	Open or Closed	SPDT	3/4" min., 2" max.	3' stainless steel armored cable

* Gap distances are nominal make distance \pm 20%. Gap specifications are for switch to make. Break distance is approximately 1.1 to 1.5 times make.



GE Interlogix