

RFV

MP3 Voice Annunciator & LED Signal Tower

LED

15 Channels (Binary)

95dB at 1m

IP54
 115
NPN/PNP
Open-collector


The RFV series is a combination of LED rotating beacon light and MP3 programmable sound unit.

FEATURES

- Field-programmable with an SD Card (sold separately).
- Message capacity of 63 seconds (64kbit/s) with bit input of 4 channels and 15 channels by binary input.
- Volume is adjustable from 0 to 95dB (at 1m) to fit various environments.
- A 4.5G vibration resistant design allows safe use in a high-vibration environment.
- Other Unique Features:
 1. Maintenance reduced with long service ultra-bright LEDs that can last over 5 years with 24/7 continuous operation.
 2. Highly-visible with a special optical reflector design.
 3. Special gear-driven mechanism provides reliability, even after 10 years of no operation.
 4. Tight-locking dome stays on, even in high vibration environments.
 5. Designed for inverted installation.

AVAILABLE BY SPECIAL ORDER

- PNP open collector transistor type.

Voice message is field programmable with an SD card (sold separately), and the volume can be easily accessed from the side panel, even after installation.



Side Access

The sound reduction function reduces the volume by approx. -15dB (at 1m), a feature ideal for use at night time together with a timer or sensor.

How to Order

RFV-24F-R

Rated Voltage

 24: 24V DC
 100: 100V AC
 220: 220V AC

Globe Color

 R: Red
 Y: Amber
 B: Blue

Sound Reduction

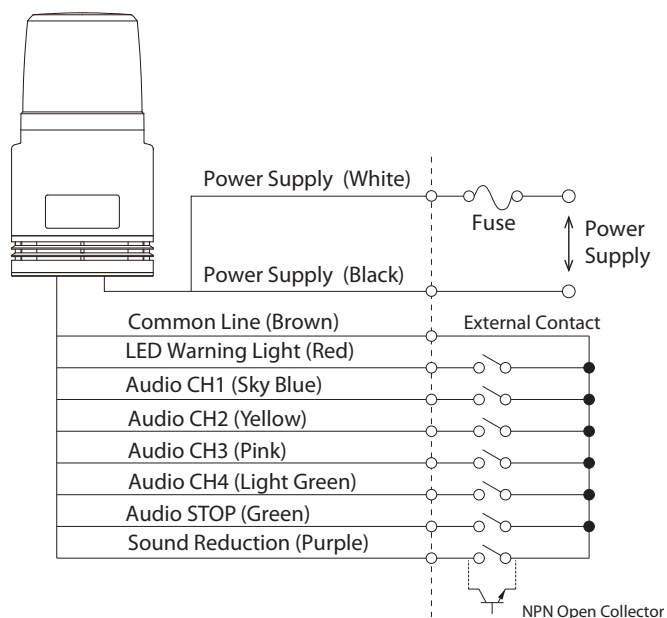


Use of Copyrighted Material

PATLITE Corporation has not applied for permission to use certain copyrighted music or songs recorded for Type-A, Type-C and Type-D melody charts outside of Japan. Therefore, please contact the local copyright association for permission before using the product in case this product is used outside of Japan. melody chart Type-E is recommended for use outside of Japan as this playlist does not include copyrighted music or songs, and permission is not required.

Wiring

RFV



Options

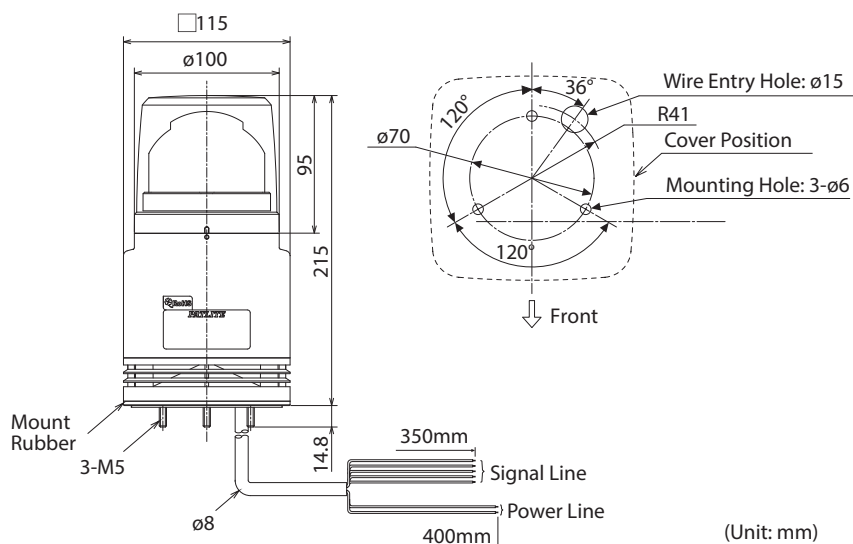
- RF-001: Wall Mount Bracket



- RF-002 Ceiling Mount Bracket



Dimensions



(Unit: mm)

Options

PATLITE Playlist Editor 2 (Free Version)

(OS: Windows® 2000/XP/Vista)

- > The new PATLITE Playlist Editor 2 is required to change the audio message data for this product.
- > The SD Card does not contain the Playlist Editor software or any audio messages.

SD Card (2 GB) SDV-2GP



Specifications

Series	Model	Rated Voltage	Operating Voltage Range	Maximum Power Consumption	Sound Level	Operating Temperature Range	Flashes per Minute	Protection Rating	Vibration Resistance	Mass
RFV	RFV-24	DC 24V	DC 24V ±10%	18 W	Max. 95dB (at 1m)	-10°C - +50°C (85%RH or less)	115 ±15	IP54 (When Flush-mounted)	19.6m/s ²	1.0kg
	RFV-100	AC 100V	AC 100V ±10%	16W						1.2kg
	RFV-220	AC 220V	AC 220V ±10%							

Actual sound level will depend on sound type and operating conditions.

※) Even when starting two or more units simultaneously, a lag will occur during message playback.