

SPECIFICATIONS

[General Specifications]

Model	5 tiers	LS7-502(D/S)WH-△△△△△ ※1※2
	4 tiers	LS7-402(D/S)WH-△△△△△ ※1※2
	3 tiers	LS7-302(D/S)WH-△△△△△ ※1※2
	2 tiers	LS7-202(D/S)WH-△△△△△ ※1※2
UL Registered Model		LS7-02(D/S)WH
Rated Voltage		24 V DC
Operating Voltage Range		Rated Voltage ±10%
Signal Wire Current	Typ.	Per Unit Red: 20mA Amber: 30mA Green: 30mA Blue: 30mA White: 30mA
	Max.	Per Unit Red: 35mA Amber: 40mA Green: 40mA Blue: 40mA White: 40mA
Operating Ambient		-30°C to +60°C
Operating Ambient Humidity		Less than 90% (No condensation)
Mounting Location		Indoors
Mounting Direction		Upright
Protection Rating		IP65 (IEC 60529)
Environmental Condition		Install the signal light on a sturdy and level surface
Vibration Resistance		19.6m/s ²
Insulation Resistance		More than 1MΩ at 500VDC between the terminals and the chassis
Withstand Voltage		500VAC applied for 1min between terminals and chassis without breaking insulation
Luminous Intensity		Red: more than 490mcd Amber: more than 1140mcd Green: more than 940mcd Blue: more than 195mcd White: more than 1000mcd
Mass (Tolerance ±10%)		0.28 kg
Outer Dimensions		Refer to the Dimension Drawing
Conformity Standards		UL 508, CSA-C22.2 No. 14 EMC Directive (EN 61000-6-4, EN 61000-6-2) RoHS Directive (EN 50581)
Remarks		<p>※1: △=R/Y/G/B/C/N (LED Color: R=Red, Y=Amber, G=Green, B=Blue, W=White, N=Blank)</p> <p>※2: About "△△△△△" is LED Color Location, from Left side to right side means Top to Bottom.</p>

No.LS7-502.-PDF-A-EN-1_4

PATLITE Corporation

SPECIFICATIONS

[General Specifications]

Model	5 tiers	LS7-502(D/S)WC-△△△△△※1※2
	4 tiers	LS7-402(D/S)WC-△△△△△※1※2
	3 tiers	LS7-302(D/S)WC-△△△△△※1※2
	2 tiers	LS7-202(D/S)WC-△△△△△※1※2
UL Registered Model		LS7-02(D/S)WC
Rated Voltage		24 V DC
Operating Voltage Range		Rated Voltage ±10%
Signal Wire Current	Typ.	Per Unit Red: 20mA Amber: 30mA Green: 30mA Blue: 30mA White: 30mA
	Max.	Per Unit Red: 35mA Amber: 40mA Green: 40mA Blue: 40mA White: 40mA
Operating Ambient		-30°C to +60°C
Operating Ambient Humidity		Less than 90% (No condensation)
Mounting Location		Indoors
Mounting Direction		Upright
Protection Rating		IP65 (IEC 60529)
Environmental Condition		Install the signal light on a sturdy and level surface
Vibration Resistance		19.6m/s ²
Insulation Resistance		More than 1MΩ at 500VDC between the terminals and the chassis
Withstand Voltage		500VAC applied for 1min between terminals and chassis without breaking insulation
Luminous Intensity		Red: more than 490mcd Amber: more than 1140mcd Green: more than 940mcd Blue: more than 195mcd White: more than 1000mcd
Mass (Tolerance ±10%)		0.26 kg
Outer Dimensions		Refer to the Dimension Drawing
Conformity Standards		UL 508, CSA-C22.2 No. 14 EMC Directive (EN 61000-6-4, EN 61000-6-2) RoHS Directive (EN 50581)
Remarks		<p>※1: △=R/Y/G/B/C/N (LED Color: R=Red, Y=Amber, G=Green, B=Blue, W=White, N=Blank)</p> <p>※2: About “△△△△△” is LED Color Location, from Left side to right side means Top to Bottom.</p>

No.LS7-502.-PDF-A-EN-2_4

PATLITE Corporation

[Model Number Configuration]

LS7-502DWH-RYGBC

Number of Lighting units
2:2 LED Tiers
3:3 LED Tiers
4:4 LED Tiers
5:5 LED Tiers

Rated Voltage
02:24V DC

Mounting
W:Direct Installation

Body color
(Non) :OFF WHITE
D:OFF DARK GRAY
S:SILVER

Wiring
H:Lead Wires

Color LED colors in order from top to bottom (5 Tiers).
R:RED
Y:AMBER
G:GREEN
B:BLUE
C:WHITE
N:BLANK

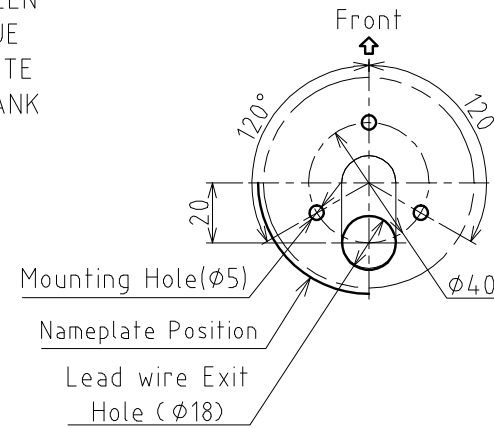
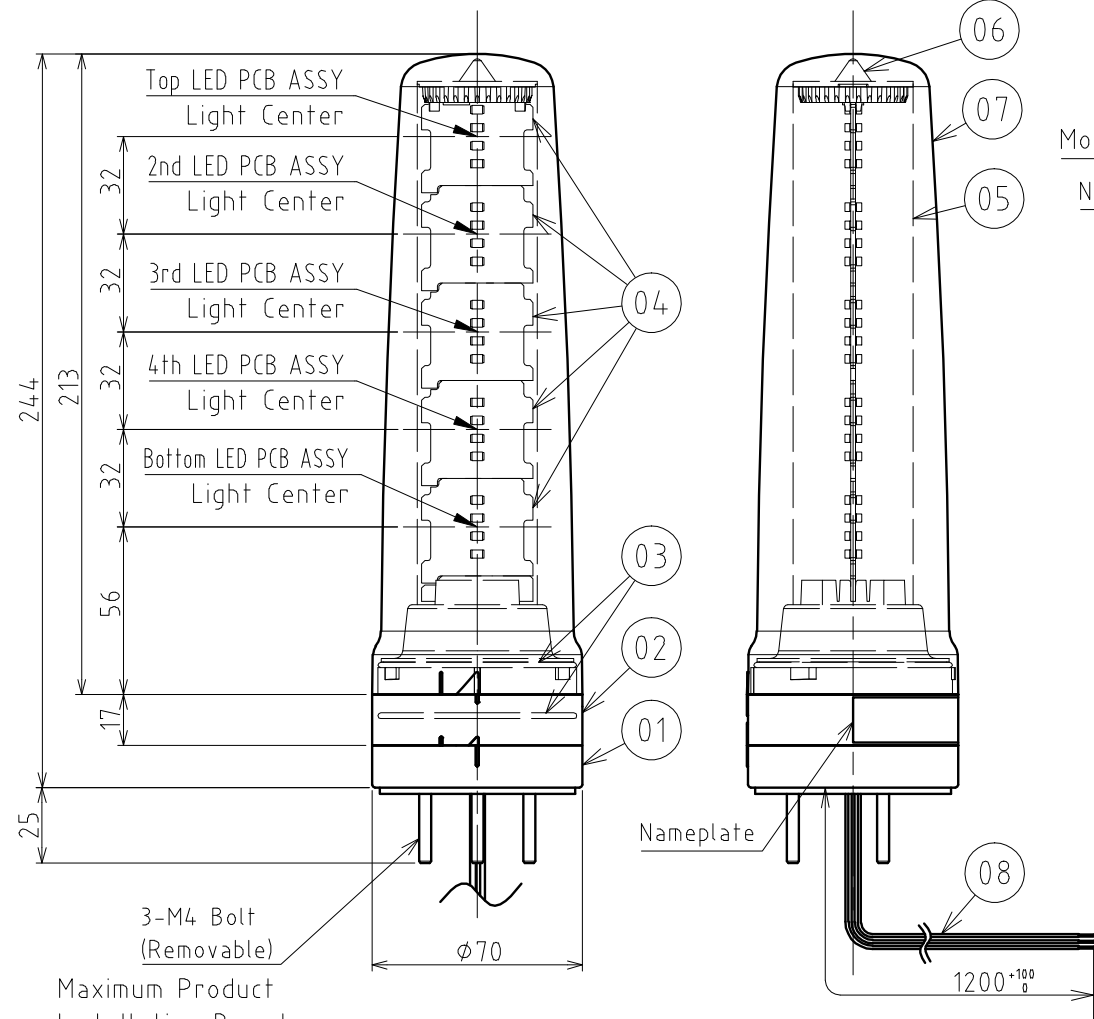


Fig1. Mounting Dimension (1:2)

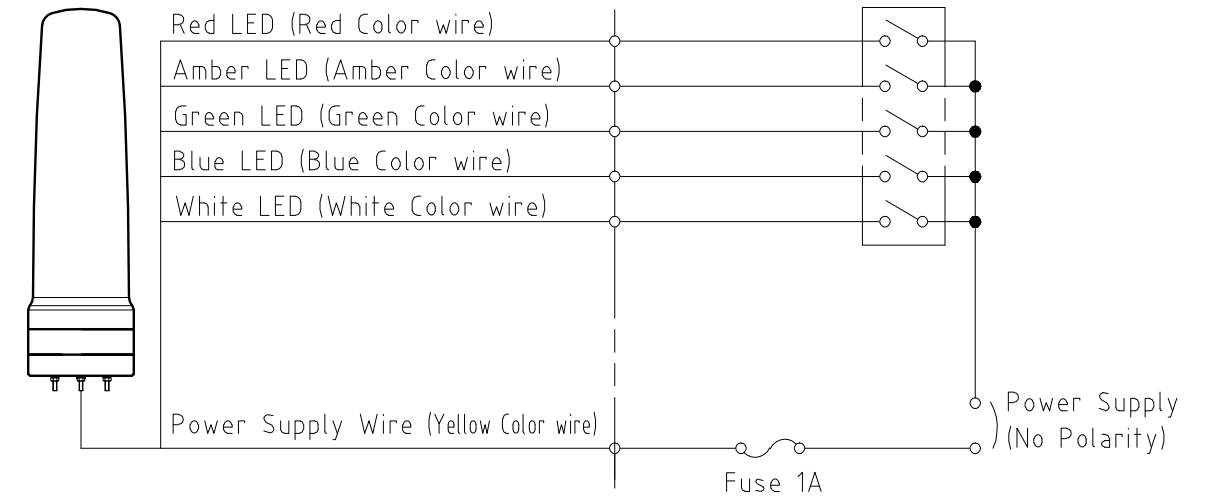
Chart1. Lead Wire's Function

Lead Wire Color	Function
Red	Red LED
Amber	Amber LED
Green	Green LED
Blue	Blue LED
White	White LED
Yellow	Power Supply Wire

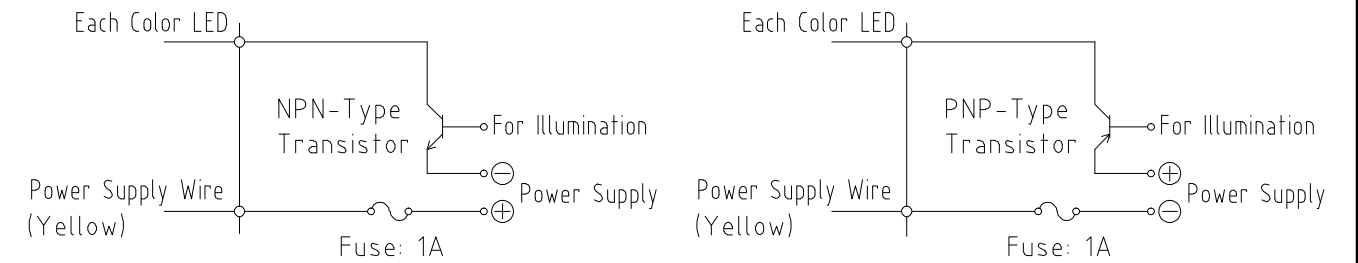
[Note]

- For water protection, refer to Fig1. for product upright positioning, do not make any additional holes beyond the three holes for mounting bolts and one hole for wiring.
- When these are unused lead wires for the LED Tiers, be sure to separately insulate the ends of each unused Lead Wire.

Wiring Examples



Transistor Drive Examples



08	WIRE ASSY		1	UL1007 AWG22	
07	OUTER COVER		1	PC	
06	CAP		1	Silicon	
05	INNER LENS		1	PC	
04	LED PCB ASSY		5	LED COLOR : R,Y,G,B,C,N	
03	O-RING		2	Silicon	
02	BASE		1	HeatproofABS, (S : Silver painting)	
01	MOUNT		1	HeatproofABS, (S : Silver painting)	
番号 No.	部品名 Part Name	品目コード Part No.	数量 Qty.	材料 & 寸法 & 処理 Material & Size & Finish	記事 Remarks

LS7-502(D/S)WH Dimensions

株式会社 パトライト
PATLITE Corporation

LS7-502.-PDFA-EN-3_4

[Model Number Configuration]

LS7-502DWC-RYGBC

Number of Lighting units
2:2 LED Tiers
3:3 LED Tiers
4:4 LED Tiers
5:5 LED Tiers

Rated Voltage
02: 24V DC

Mounting
W:Direct Installation

Body color
(Non) :OFF WHITE
D:OFF DARK GRAY
S:SILVER

Wiring
C:M12 Connector

Color LED colors in order from top to bottom (5 Tiers).
R:RED
Y:AMBER
G:GREEN
B:BLUE
C:WHITE
N:BLANK

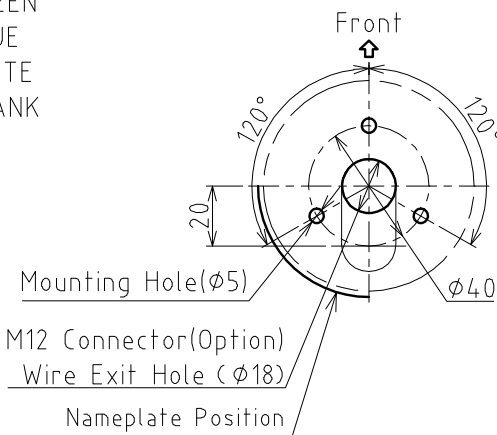
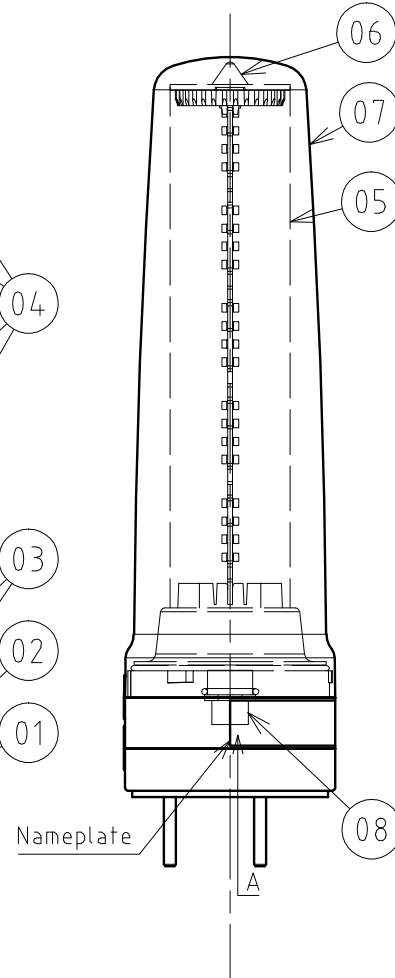
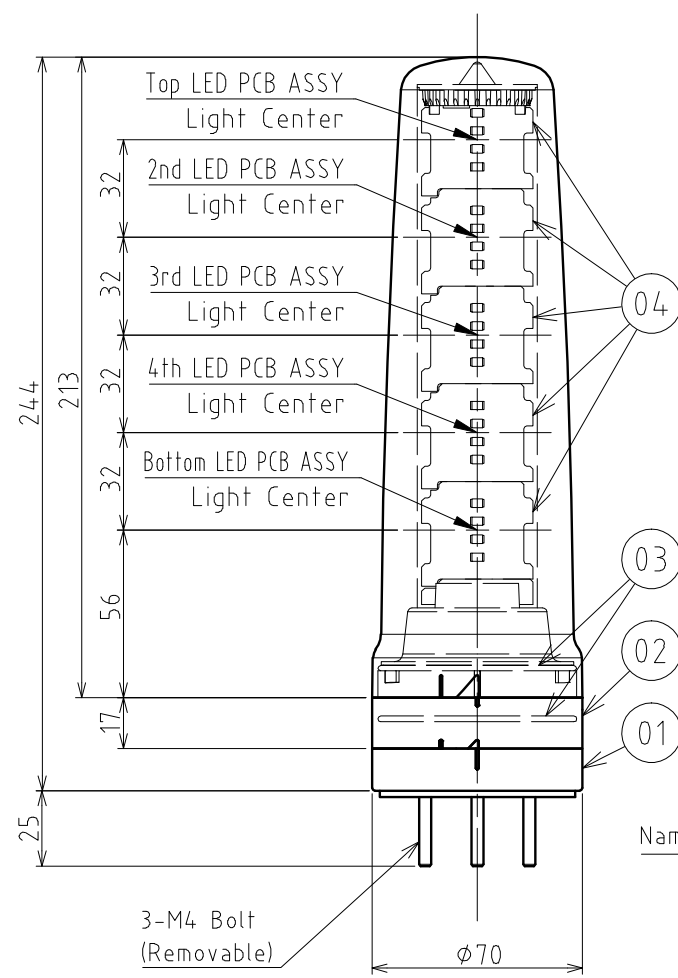


Fig1. Mounting Dimension (1:2)

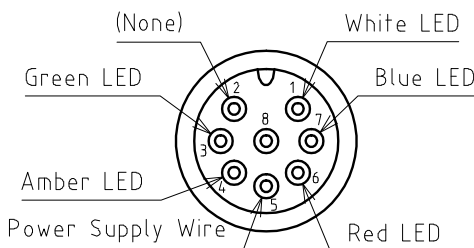
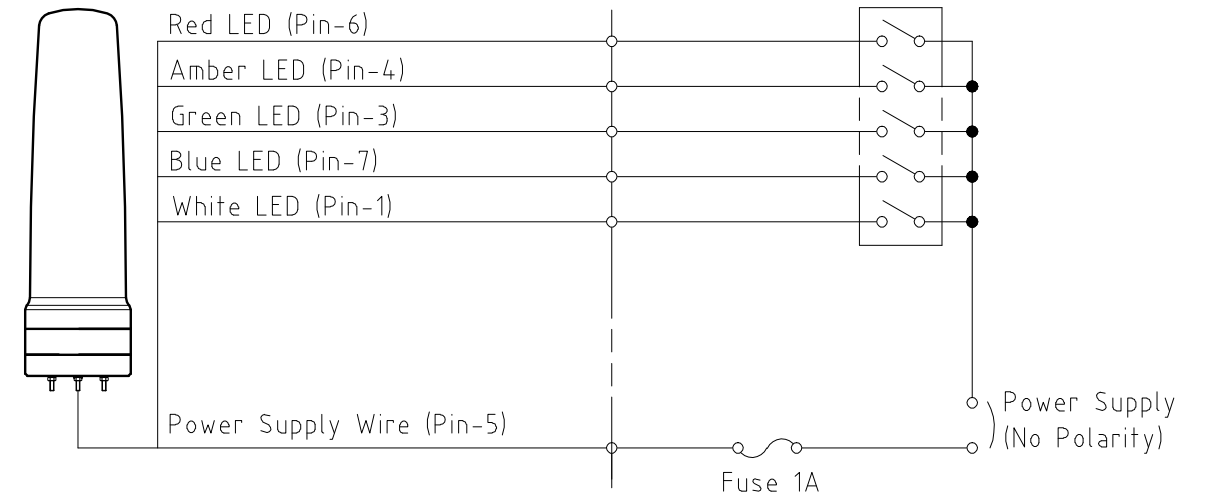


Fig2. M12 Connector Pin Layout (View of A)

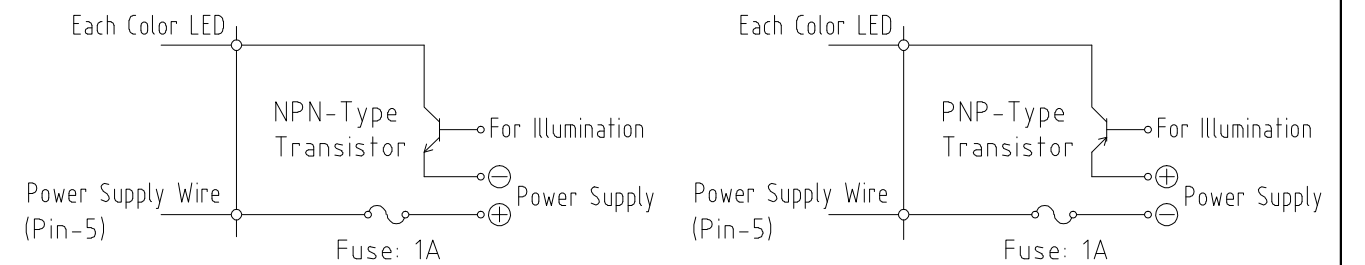
[Note]

1. For water protection, refer to Fig1. for product upright positioning, do not make any additional holes beyond the three holes for mounting bolts and one hole for M12 Connector wiring.
2. The Cable used to Connector with the M12 Connector is an Option Part.

Wiring Examples



Transistor Drive Examples



08	M12 CONNECTOR		1	XS2M-D824-4 (OMRON)	
07	OUTER COVER		1	PC	
06	CAP		1	Silicon	
05	INNER LENS		1	PC	
04	LED PCB ASSY		5	LED COLOR : R,Y,G,B,C,N	
03	O-RING		2	Silicon	
02	BASE		1	HeatproofABS, (S : Silver painting)	
01	MOUNT		1	HeatproofABS, (S : Silver painting)	
番号 No.	部品名 Part Name	品目コード Part No.	数量 Qty.	材料 & 寸法 & 処理 Material & Size & Finish	記事 Remarks

LS7-502(D/S)WH Dimensions

株式会社 パトライト
PATLITE Corporation

LS7-502.-PDFA-EN-4_4