

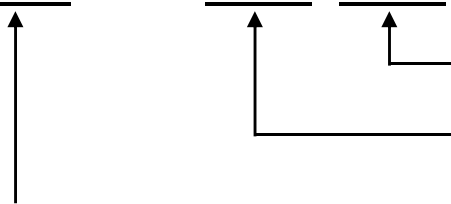
SPECIFICATIONS

Model Name	CLA1S-□			CLA2S-□			CLA3S-□		
Color Code	CD	CN	Y	CD	CN	—	CD	CN	Y
Luminous Color	Daylight	Natural White	Amber	Daylight	Natural White	—	Daylight	Natural White	Amber
Color Temperature (typ.)	6800 K	4800 K	—	6800 K	4800 K	—	6800 K	4800 K	—
Wavelength	—	—	590 nm	—	—	—	—	—	590 nm
Illuminance (at 24V DC)	0.5m	140 lx		78 lx		—	400 lx		220 lx
	1.0m	35 lx		20 lx		—	105 lx		60 lx
Luminous Flux	125 lm		60 lm		—		360 lm		195 lm
Rated Voltage	24V DC (Polarized)								
Operating Voltage Range	24V DC ±10%								
Rated Current Consumption	104 mA ±10%			208 mA ±10%			—	240 mA ±10%	
Rated Power Consumption	2.5 W			5 W			—	5.7 W	
Operating Temperature Range	-40°C to +60°C (RH90% or less, no condensation)								
Main Body Material	Polycarbonate Resin (Waterproof Packing : Silicon)								
Protection Rating	IP66/67 (IEC 60529) / 69K (DIN 40050 part9) (Cable Terminal not included)								
Mounting Direction	Indoor Use Any Direction								
Insulation Resistance	5MΩ or more with a 500V DC Megohmmeter								
Withstanding Voltage	500V AC for 1 minute								
Vibration Proof	19.6 m/s ² (30Hz, Back and Forth: 2h · Right to Left: 2h · Up and Down: 2h)								
Mass	0.08kg ±10%			0.13kg ±10%			0.18kg ±10%		
Conformity Standards	<ul style="list-style-type: none"> • EMC Directive (EN55011, EN61000-6-2) • RoHS Directive (EN50581) • UL 2108, CSA-C22.2 No. 250.0 								

No. CLA.S-24-PDFD-EN-1_3

<Remarks>

CLA□□-24-□□-□□



- Cable Length
None: 0.5m, 30: 3.0m (Only CD/CN)
- Color
CD: Daylight, CN: Natural White, Y: Amber (Only 1S/3S)
- Light Unit Length
1S: 100mm, 2S: 200mm, 3S: 300mm

- Conforms to the CE requirements
- UL Listed (File No.E306141)

- ※1 Specifications may change without notice due to continual product improvement.
- ※2 Due to the inherent properties of the LED, color variations and hue may occur.
- ※3 This product's illuminance may be affected when used in airtight conditions.

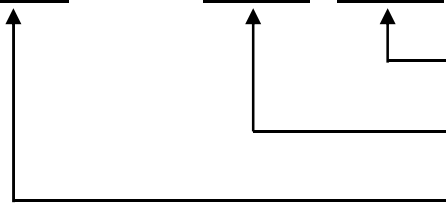
SPECIFICATIONS

Model Name	CLA6S-□		CLA9S-□		CLA12S-□		CLA15S-□	
Color Code	CD	CN	CD	CN	CD	CN	CD	CN
Luminous Color	Daylight	Natural White	Daylight	Natural White	Daylight	Natural White	Daylight	Natural White
Color Temperature (typ.)	6800 K	4800 K	6800 K	4800 K	6800 K	4800 K	6800 K	4800 K
Illuminance (at 24V DC)	0.3m	1,425 lx		1,575 lx		1,600 lx		1,625 lx
	0.5m	650 lx		810 lx		890 lx		945 lx
	1.0m	200 lx		280 lx		340 lx		385 lx
Luminous Flux	690 lm		980 lm		1,375 lm		1,725 lm	
Rated Voltage	24V DC (Polarized)							
Operating Voltage Range	24V DC ±10%							
Rated Current Consumption	480 mA ±10%		720 mA ±10%		960 mA ±10%		1,200 mA ±10%	
Rated Power Consumption	11.6 W		17.3 W		23 W		28.8 W	
Operating Temperature Range	-40°C to +60°C (RH90% or less, no condensation)							
Main Body Material	Polycarbonate Resin (Waterproof Packing : Silicon)							
Protection Rating	IP66/67 (IEC 60529) / 69K (DIN 40050 part9) (Cable Terminal not included)							
Mounting Direction	Indoor Use Any Direction							
Insulation Resistance	5MΩ or more with a 500V DC Megohmmeter							
Withstanding voltage	500V AC for 1 minute							
Vibration proof	19.6 m/s ² (30Hz, Back and Forth: 2h · Right to Left: 2h · Up and Down: 2h)							
Mass	0.34kg ±10%		0.5kg ±10%		0.66kg ±10%		0.82kg ±10%	
Conformity Standards	<ul style="list-style-type: none"> •EMC Directive (EN55011, EN61000-6-2) •RoHS Directive (EN50581) •UL 2108, CSA-C22.2 No. 250.0 							

No. CLA.S-24-PDFD-EN-2_3

<Remarks>

CLA□□-24-□□-□□



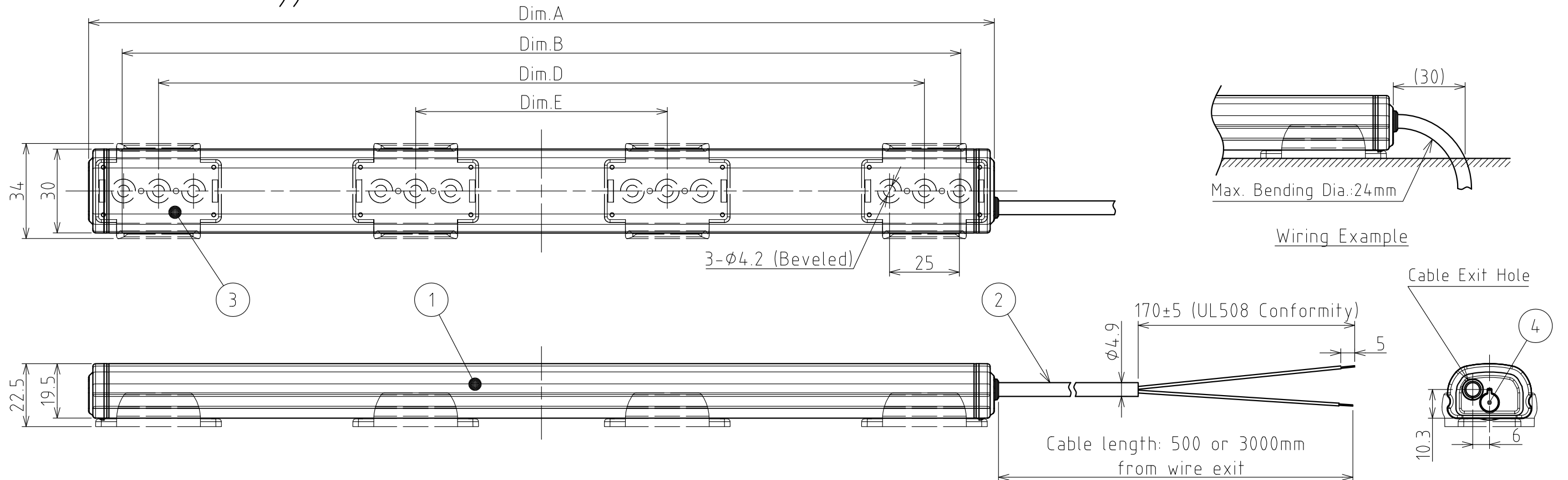
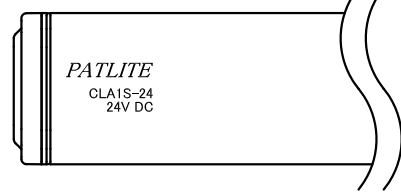
- Cable Length
None: 0.5m , 30: 3.0m (Only CD/CN)
- Color
CD: Daylight , CN: Natural White , Y: Amber (Only 1S/3S)
- Light Unit Length
6S: 600mm , 9S: 900mm , 12S: 1,200mm , 15S: 1,500mm

- Conforms to the CE requirements
- UL Listed (File No.E306141)

- ※1 Specifications may change without notice due to continual product improvement.
- ※2 Due to the inherent properties of the LED, color variations and hue may occur.
- ※3 This product's illuminance may be affected when used in airtight conditions.

PATLITE Corporation

EX. CLA1S-24



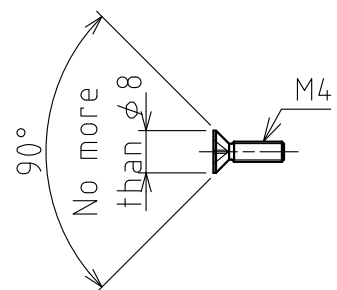
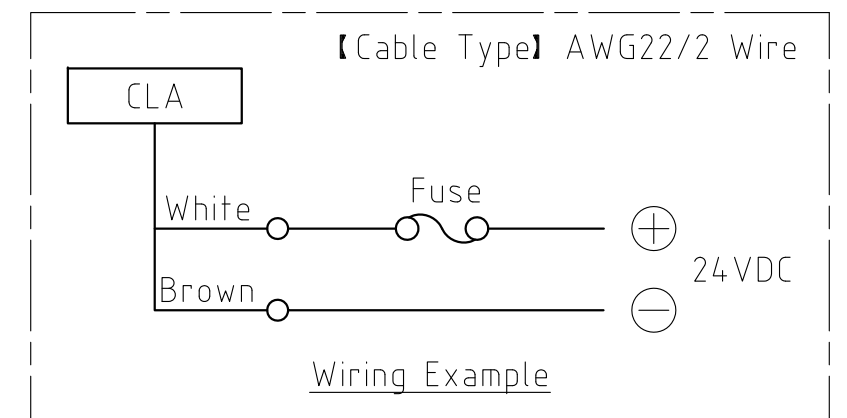
[Chart 1: Dimension Chart]

Model Name	Dim.A	Dim.B	Dim.D	Dim.E	Accessory Brackets (SZ-310AR)
	Maximum	Lighting	Attachment Pitch		
CLA1S-	124	100	74	-	2pcs.
CLA2S-	224	200	174	-	2pcs.
CLA3S-	324	300	274	-	2pcs.
CLA6S-	624	600	574	-	2pcs.
CLA9S-	924	900	874	290	4pcs.
CLA12S-	1224	1200	1174	390	4pcs.
CLA15S-	1524	1500	1474	490	4pcs.

[Chart 2: Corresponding Bracket Table]

Model Name	SZ-310AS	SZ-310ASB	SZ-310ARM
CLA1S-	○	×	○
CLA2S-	○	×	○
CLA3S-	○	○	○
CLA6S-	○	×	○
CLA9S-	○*1	×	○
CLA12S-	○*1	×	○
CLA15S-	○*1	×	○

*1: For the 9S,12S,and 15S, please orientate the two SZ-310AR brackets included with the product.



Recommended Screw Dimensions

[Remarks]

- The screw caps are removable. Please remove them in advance when using high-pressure water applications.
(Example: Contamination in a food-processing line)
- Install the bracket on a sturdy surface with M4 flush-mount screws, and tighten down with a torque of no more than 1N · m.
(2 screws recommended)

4	Screw Cap		2	Silicon	
3	Bracket	SZ-310AR	Chart1	Polycarbonate Resin	
2	Power Cable		1	AWG22/2 Wire	
1	Cover		1	Polycarbonate Resin	
番号 No.	部品名 Part Name	品目コード Part No.	数量 Qty.	材料 & 寸法 & 処理 Material & Size & Finish	記事 Remarks

CLA□S-24 Dimensions

株式会社 パトライト
PATLITE Corporation

CLA.S-24-PDFD-EN-3_3