

ABP1 Series

Back Pressure Regulator

Stainless Steel



Value Proposition:

Designed with versatility in mind, Parker's ABP1 regulator controls inlet, upstream or back pressure in an instrument or analyzer system. Its materials of construction make it suitable for applications where corrosive media and / or environments are present.

Product Features:

- Standard Hastelloy C-22[®] diaphragm for superior strength and corrosion resistance
- Convolute diaphragm provides outlet pressure stability with changes in flow
- Integral diaphragm stop provides an additional safety measure

Specifications:

Functional Performance	
Design	
Burst Pressure	1,500 psig (103 barg)
Proof Pressure	750 psig (52 barg)
Flow Capacity	
C _v Options	C _v 0.3 (std), C _v 0.1, C _v 0.06
Leak Rate	
Internal	Bubble Tight
External	Bubble Tight
Internal Volume	5.9 cc
Approximate Weight	2.3 lbs. (1.0 kg)

Operating Conditions	
Control Pressure	1 - 25 psig (2 barg) 2 - 50 psig (3.5 barg) 3 - 100 psig (7 barg) 10 - 250 psig (17 barg) 20 - 500 psig (35 barg)
Maximum Temperature of Flow Media	-15°F to 400°F (-26°C to 204°C) Note: Metal Knob required for high temperature applications

Material of Construction	
Wetted	
Body Options	316L Stainless Steel (std). (Consult factory for alloyed material Options)
Diaphragm	Hastelloy [®] C-22
Diaphragm Assembly Options	316L Stainless Steel and PTFE (std) or Hastelloy [®] C-22 and PTFE
Seat Options	PTFE (std.), FKM or FFKM
Seat O-Ring	PTFE
Seat & Holder Options	316L Stainless Steel (std) or Hastelloy [®] C-22
Outboard Gasket	PTFE
Screen Options	316L Stainless Steel (std) or Hastelloy [®] C-22
Non-Wetted	
Cap	303 Stainless Steel
Cap Nut	316L Stainless Steel
Knob Options	ABS (std) or Aluminum

For additional information on materials of construction, functional performance and operating conditions, please contact factory.

Hastelloy[®] C-22 is a registered trademark of Haynes International, Inc.



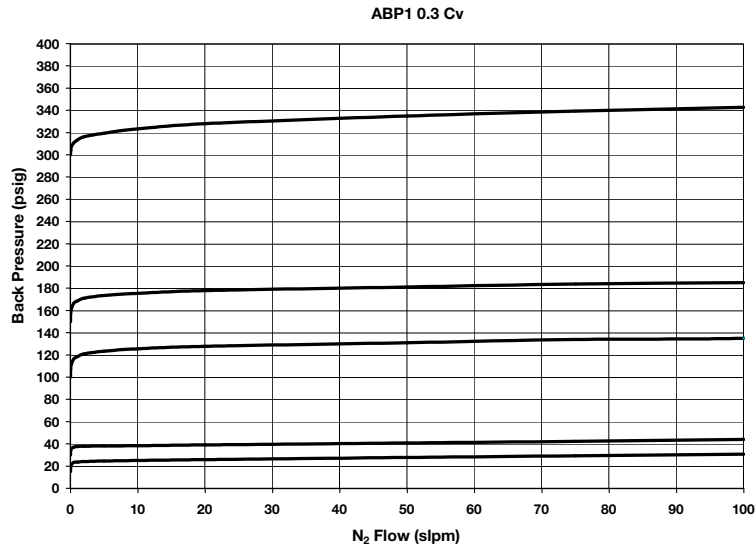
INSTRUMENTATION PRODUCTS DIVISION

ENGINEERING YOUR SUCCESS.

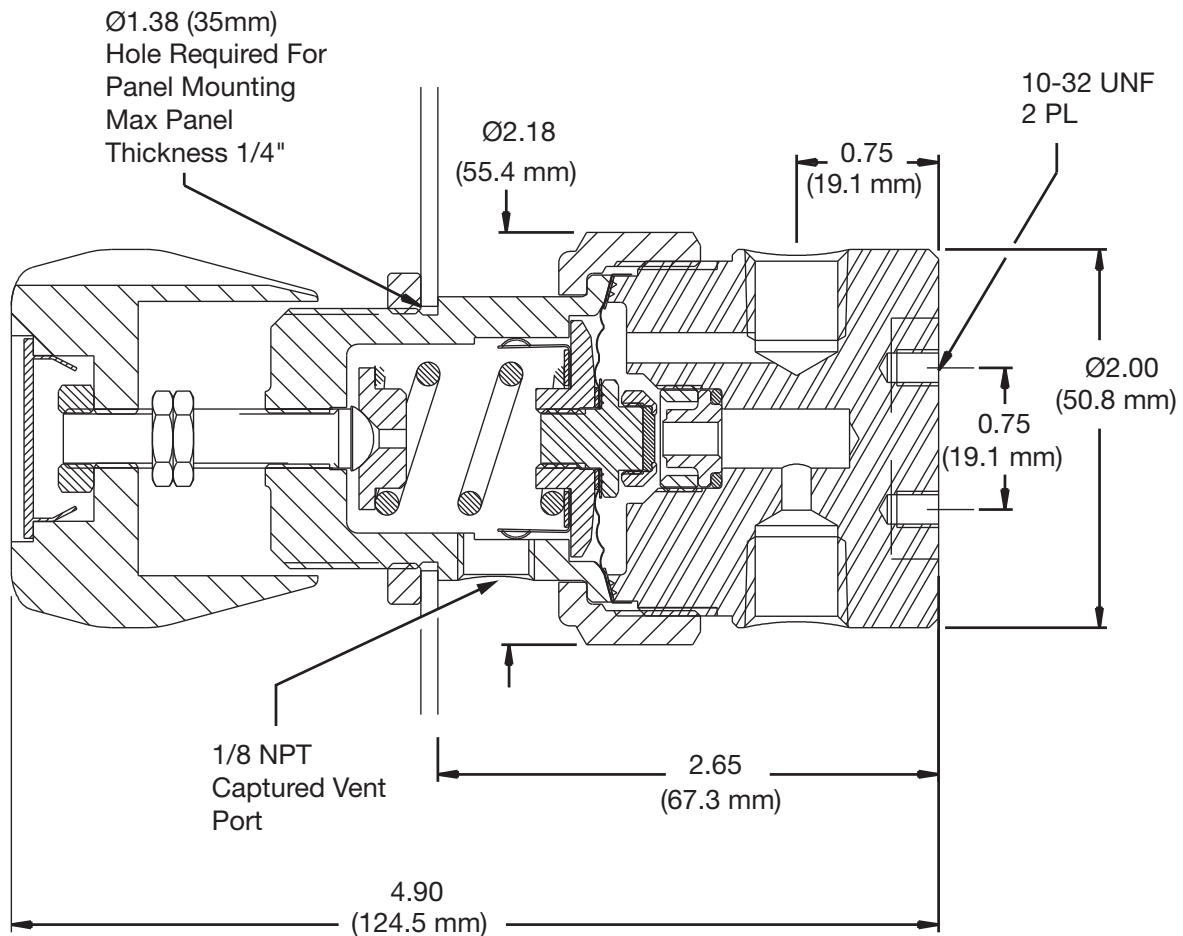
Buy: www.ValinOnline.com | Phone 844-385-3099 | Email: CustomerService@valin.com

ABP1 Series

Flow Curve:



Dimensional Drawing:



ABP1 Series

Ordering Information:

Building a Part Number: *Example: ABP1ST33BP24*

Example Part Number:	ABP1	S	T	3	3BP	X	4	
Ordering Parameters/Options:	Series	Body Material	Seal Material	Pressure Range	Porting	Inlet Gauge	Port Style	Optional Features
Table Reference: (see below)	A	B	C	D	E	F	G	H

A - Series	
ABP1	ABP1 Series Regulator

B - Body Material	
S	316L Stainless Steel (Consult factory for Alloy Material options)

C - Seal Material	
T	PTFE
V	Fluorocarbon Elastomer (FKM)
K	Perfluoroelastomer (FFKM)

D - Pressure Range	
1	1-25 psig
2	2-50 psig
3	3-100 psig
4	10-250 psig
5	20-500 psig

E - Porting	
2BP	2 Ports (No X required for gauges, inlet and outlet ports only)
3BP	3 Ports (One X for gauge port)
3PB	3 Ports (One X for gauge port, outlet through bottom)
3PP	3 Ports (One X for gauge port)

F - Inlet Gauge	
03	0-30 psig
OL	0-60 psig
2	0-200 psig
4	0-400 psig
6	0-600 psig
X	No gauge (Gauges may be provided by local Parker Distributor)

G - Port Style	
4	1/4" NPT Female (All Gauge ports are 1/4" NPT Female)

H - Optional Features	
M	Metal Knob (Black)
06	0.06 C _v
1	0.1 C _v
C3	Cleaned for Oxygen Service (Oxygen Cleaning Requirements in accordance with Parker Specification ES8003)

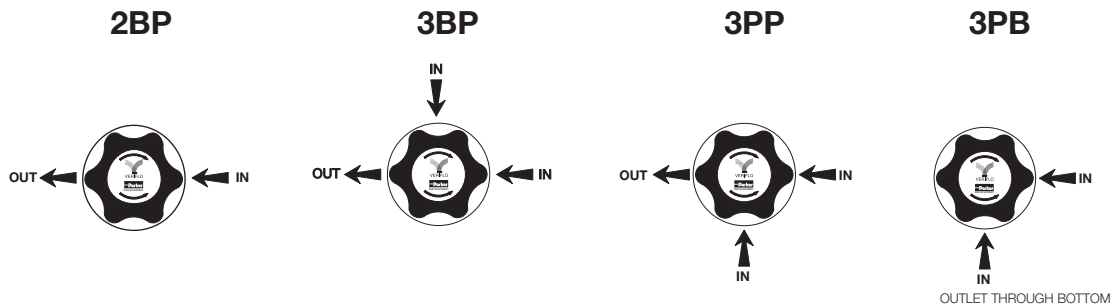
Note:

Panel Mount Option:
Order Panel Mount Nut Ring (PN: IR4-Panel-Nut-B-NP) as separate line item

Vent Muffler Option:
Vent Muffler (PN: Muffler-2F-Bronze) as separate line item.

Parker Instrumentation Products Division reserves the right to plug NPT ports

Port Configuration:



Parker Worldwide

North America

USA – Corporate, Cleveland, OH
Tel: +1 256 896 3000

USA – IPD, Huntsville, AL
Tel: +1 256 881 2040
ipdcct@parker.com

USA – IPD, (Autoclave), Erie, PA
Tel: +1 814 860 5700
ipdaect@parker.com

CA – Canada, Grimsby, Ontario
Tel: +1 905-945-2274
ipd_canada@parker.com

South America

AR – Argentina, Buenos Aires
Tel: +54 3327 44 4129
falecom@parker.com

BR – Brazil, Diadema, SP
Tel: +55 11 4360 6700
falecom@parker.com

CL – Chile, Santiago
Tel: +56 (0) 2 2303 9640
falecom@parker.com

MX – Mexico, Toluca
Tel: +52 722 275 4200
contacto@parker.com

Asia Pacific

AU – Australia, Dandenong
Tel: +61 (0)2 9842 5150
customer.service.au@parker.com

CN – China, Shanghai
Tel: +86 21 2899 5000
INGtechnical.china@parker.com

HK – Hong Kong
Tel: +852 2428 8008

IN – India, Mumbai
Tel: +91 22 6513 7081-85

ID – Indonesia, Tangerang
Tel: +62 2977 7900
parker.id@parker.com

JP – Japan, Tokyo
Tel: +(81) 3 6365 4020
infophj@parker.com

KR – South Korea, Seoul
Tel: +82 2 559 0400
parkerkr@parker.com

MY – Malaysia, Selangor
Tel: +603 784 90 800
parkermy@parker.com

SG – Singapore,
Tel: +65 6887 6300
parkerkg@parker.com

TH – Thailand, Bangkok
Tel: +66 2 186 7000
phthailand@parker.com

TW – Taiwan, Taipei
Tel: +886 2 2298 8987
enquiry.taiwan@parker.com

VN – Vietnam, Hochi Minh City
Tel: +848 382 508 56
parker_viet@parker.com

Europe, Middle East, Africa

AE – UAE, Dubai
Tel: +971 4 812 7100
parker.me@parker.com

AT – Austria, Wiener Neustadt
Tel: +43 (0)2622 23501-0
parker.austria@parker.com

AT – Eastern Europe, Wiener Neustadt
Tel: +43 (0)2622 23501 900
parker.eastern@parker.com

AZ – Azerbaijan, Baku
Tel: +994 50 2233 458
parker.azerbaijan@parker.com

BE/LU – Belgium, Nivelles
Tel: +32 (0)67 280 900
parker.belgium@parker.com

BG – Bulgaria, Sofia
Tel: +359 2 980 1344
parker.bulgaria@parker.com

BY – Belarus, Minsk
Tel: +48 (0)22 573 24 00
parker.belarus@parker.com

CH – Switzerland, Etoy
Tel: +41 (0) 21 821 87 00
parker.switzerland@parker.com

CZ – Czech Republic, Klecany
Tel: +420 284 083 111
parker.czechrepublic@parker.com

DE – Germany, Kaarst
Tel: +49 (0)2131 4016 0
parker.germany@parker.com

DK – Denmark, Ballerup
Tel: +45 43 56 04 00
parker.denmark@parker.com

ES – Spain, Madrid
Tel: +34 902 33 00 01
parker.spain@parker.com

FI – Finland, Vantaa
Tel: +358 (0)20 753 2500
parker.finland@parker.com

FR – France, Contamine s/Arve
Tel: +33 (0)4 50 25 80 25
parker.france@parker.com

GR – Greece, Athens
Tel: +30 210 933 6450
parker.greece@parker.com

HU – Hungary, Budapest
Tel: +36 223 885 470
parker.hungary@parker.com

IE – Ireland, Dublin
Tel: +353 (0)1 466 6370
parker.ireland@parker.com

IT – Italy, Corsico (MI)
Tel: +39 02 45 19 21
parker.italy@parker.com

KZ – Kazakhstan, Almaty
Tel: +7 7273 561 000
parker.eastern@parker.com

NL – The Netherlands, Oldenzaal
Tel: +31 (0)541 585 000
parker.nl@parker.com

NO – Norway, Stavanger
Tel: +47 66 75 34 00
parker.norway@parker.com

PL – Poland, Warsaw
Tel: +48 (0)22 573 24 00
parker.poland@parker.com

PT – Portugal, Leca da Palmeira
Tel: +351 22 999 7360
parker.portugal@parker.com

RO – Romania, Bucharest
Tel: +40 21 252 1382
parker.romania@parker.com

RU – Russia, Moscow
Tel: +7 495 645-2156
parker.russia@parker.com

SE – Sweden, Spånga
Tel: +46 (0)8 59 79 50 00
parker.sweden@parker.com

SK – Slovakia, Banská Bystrica
Tel: +421 484 162 252
parker.slovakia@parker.com

SL – Slovenia, Novo Mesto
Tel: +386 7 337 6650
parker.slovenia@parker.com

TR – Turkey, Istanbul
Tel: +90 216 4997081
parker.turkey@parker.com

UA – Ukraine, Kiev
Tel: +48 (0)22 573 24 00
parker.ukraine@parker.com

UK – United Kingdom, Warwick
Tel: +44 (0)1926 317 878
parker.uk@parker.com

ZA – South Africa, Kempton Park
Tel: +27 (0)11 961 0700
parker.southafrica@parker.com

WARNING

FAILURE, IMPROPER SELECTION OR IMPROPER USE OF THE PRODUCTS AND/OR SYSTEMS DESCRIBED HEREIN OR RELATED ITEMS CAN CAUSE DEATH, PERSONAL INJURY AND PROPERTY DAMAGE.

This document and other information from Parker Hannifin Corporation, its subsidiaries and authorized distributors provide product and/or system options for further investigation by users having technical expertise. It is important that you analyze all aspects of your application and review the information concerning the product or system in the current product catalog. Due to the variety of operating conditions and applications for these products or systems, the user, through its own analysis and testing, is solely responsible for making the final selection of the products and systems and assuring that all performance, safety and warning requirements of the application are met. The products described herein, including without limitation, product features, specifications, designs, availability and pricing, are subject to change by Parker Hannifin Corporation and its subsidiaries at any time without notice. Proposition 65 Warning: This product contains chemicals known to the state of California to cause cancer or birth defects or other reproductive harm.

Offer of Sale

The items described in this document are available for sale by Parker Hannifin Corporation, its subsidiaries or its authorized distributors. Any sale contract entered by Parker will be governed by the provisions stated in Parker's standard terms and conditions of sale (copy available upon request).

©2018 Parker Hannifin Corporation | Instrumentation Products Division

Literature #: 25000021 June 2018



Instrumentation Products Division
1005 A Cleaner Way
Huntsville, AL 35805 • USA
Tel: 256 881 2040
Fax: 256 881 5072

ipd.sales@parker.com
www.parker.com/ipd
Mobile Application: m.parker.com/ipd

ABP1 SERIES: Back Pressure Regulator



ENGINEERING YOUR SUCCESS.

Buy: www.ValinOnline.com | Phone 844-385-3099 | Email: CustomerService@valin.com