

945Y Series

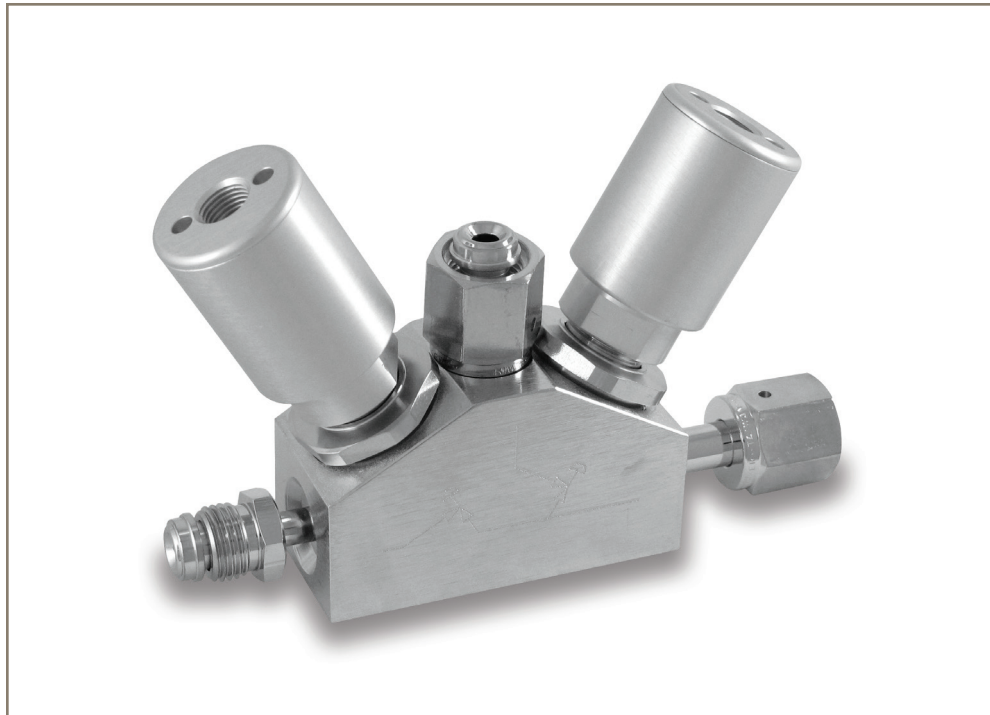
UHP Stainless Steel Diaphragm Valve
High Pressure Manifold

aerospace
climate control
electromechanical
filtration
fluid & gas handling
hydraulics
pneumatics
process control
sealing & shielding

Value Proposition:

The 945Y valve offers the same benefits as the standard two way valve. The “Y” valve configuration allows for a mix of operator combinations, reduces space requirements, and has fewer welds over standard valve alignments.

Pressure and flow requirements are unique to each valve in this offering, please reference the two way data sheet to ensure proper selection.



Contact Information:

Parker Hannifin Corporation
Veriflo Division
250 Canal Blvd
Richmond, California 94804

phone 510 235 9590
fax 510 232 7396
veriflo.sales@parker.com

www.parker.com/veriflo
Mobile App: m.parker.com/veriflo



Product Features:

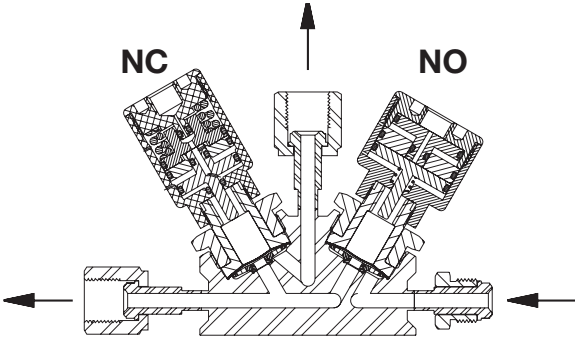
- Standard surface finish of 10 micro inch Ra
- 100% Helium leak tested
- Internally threadless and springless
- Standard full internal electropolish
- Unique compression member which loads the seal uniformly without the need for threaded components or crimping operations
- Minimal particle generation and particle entrapment areas
- Fully functional from vacuum to 3500 psig
- Vericlean™, Veriflo's low sulfur high purity 316L Stainless Steel enhances electropolishing, welding, and corrosion resistance

ENGINEERING YOUR SUCCESS.

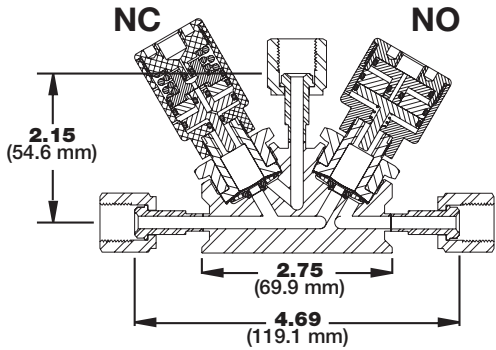
945Y Series

Dimensional Drawings

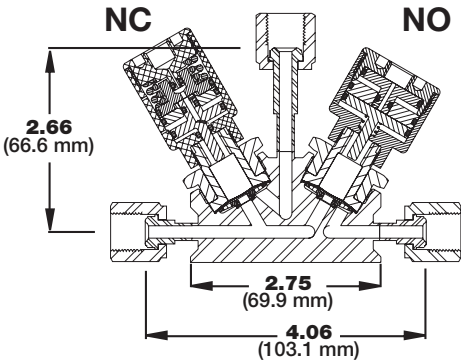
945Y1NO/NCFSMFFA



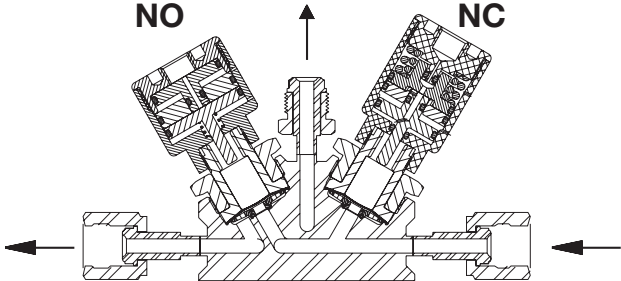
945Y1NO/NCFSFFFA



945Y1NO/NCFSFFFB



945Y2NC/NOFSMFMA



Safety Guide and Installation and Operating Instructions available at www.parker.com/veriflo

945Y Series

Ordering Information

Build a 945Y Series valve by replacing the numbered symbols with an option from the corresponding tables below.

Contact factory for most up to date lead time information.

Blue = Configurations that have selections in blue may have an extended lead time and a minimum order quantity.

Sample: **9** **45Y** **1** **NC/NO** **FS** **MMF** **VESP** **A**
 Finished Order: **945Y1NC/NOFSMMFVESPA**

1 **Basic Series**
 45Y = 945Y

2 **Flow Path**
 1 = Down Stream Purge
 2 = Up Stream Purge
 3 = Common

3 **Actuating Device Type (V1/V2)**
 HP = Air Operated, High Pressure, Normally Closed
HP can only be used in combination with HP or M actuators
 NC = Air Operated, Low Pressure, Normally Closed
 NO = Air Operated, Low Pressure, Normally Open
 M = Mini-Lever

4 **Port Style**
 FS = 1/4" Face Seal
 FS8 = 1/2" Face Seal
 TS = 1/4" Tube Stub
 TS6 = 3/8" Tube Stub
 TS8 = 1/2" Tube Stub

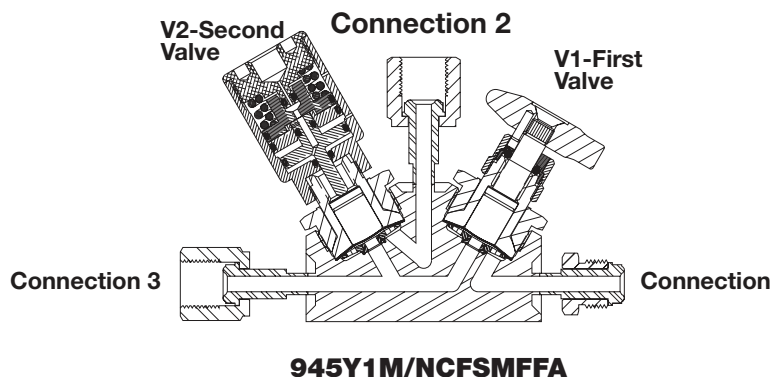
5 **Port Configuration**
 M = Male Face Seal
 F = Female Face Seal

6 **Optional Features**
 PEEK = PEEK™ Seats
 VESP = Vespel® Seats Recommended for Nitrous Oxide (N2O) Service

7 **Dimensions**
 Dimensions applicable to all actuating device types except HP. For HP actuating device type dimensions, see table below.
 A = 4.69 x 2.15
 B = 4.06 x 2.66 FSF or TS Only.

DIMENSION TABLE - HP Actuating Device Type			
Style	A	A	B
Fitting Type	FS-M	FS-F	FS-F
End-To-End Connection	4.69	4.69	4.06
Vertical Connection	3.75	3.25	3.25

Ordering Example



945Y Series

Specifications

Materials of Construction	
Wetted	
Body	VeriClean™ 316L Stainless Steel
Compression Member	316L Stainless Steel
Diaphragm	Elgiloy® or equivalent
Seat Options	PCTFE (std), PEEK™ or Vespel®
Non-wetted	
Cap	17-4 Stainless Steel
Nut	316L Stainless Steel
Actuator Housing	Anodized Aluminum
Operating Conditions	
<i>(Operating limits based upon pressure applied at inlet port.)</i>	
Maximum Pressure	
HP, I, M	3,500 psig (241 barg)
NC, NO	125 psig (8.6 barg)
Minimum Pressure	
Vacuum	
AOP Actuation Pressure	75 psig (5 barg) nominal
AOP Air Inlet	1/8-27 NPT
Temperature	-40°F to 150°F (-40°C to 66°C)

Functional Performance	
Design	
Proof Pressure	
HP, I, M	5,250 psig (362 barg)
NC, NO	188 psig (13 barg)
Burst Pressure	
HP, I, M	10,500 psig (724 barg)
NC, NO	375 psig (26 barg)
Flow Capacity	
Process Valve	
HP, NC, NO, I	C _v 0.25
Lever (M)	C _v 0.18
Purge Valve	C _v 0.17
Leak Rate	
Inboard Test Method	
Internal	≤ 1 X 10 ⁻⁹ scc/sec He
External	≤ 2 X 10 ⁻¹⁰ scc/sec He
Surface Finish	
10 micro inch Ra	
Internal Volume	
4.26 cc	
Approx. Weight	
2.1 lbs. (0.98 kg)	

For additional information on materials of construction, functional performance and operating conditions, please contact factory.

Vespel® is a registered trademark of DuPont Performance Elastomers L.L.C.
 Elgiloy® is a registered trademark of Elgiloy Company
 VeriClean™ is a trademark of Parker Hannifin Corporation
 PEEK™ is a trademark of Victrex plc.

OFFER OF SALE:

The items described in this document are hereby offered for sale by Parker-Hannifin Corporation, its subsidiaries or its authorized distributors. This offer and its acceptance are governed by the provisions stated in the detailed "Offer of Sale" elsewhere in this document or available at www.parker.com/veriflo



FAILURE OR IMPROPER SELECTION OR IMPROPER USE OF THE PRODUCTS DESCRIBED HEREIN OR RELATED ITEMS CAN CAUSE DEATH, PERSONAL INJURY AND PROPERTY DAMAGE. THIS DOCUMENT IS FOR REFERENCE ONLY. PLEASE CONSULT FACTORY FOR LATEST PRODUCT DRAWINGS AND SPECIFICATIONS

This document and other information from Parker-Hannifin Corporation, its subsidiaries and authorized distributors provide product or system options for further investigation by users having technical expertise.

The user, through its own analysis and testing, is solely responsible for making the final selection of the system and components and assuring that all performance, endurance, maintenance, safety and warning requirements of the application are met. The user must analyze all aspects of the application, follow applicable industry standards, and follow the information concerning the product in the current product catalog and in any other materials provided from Parker or its subsidiaries or authorized distributors.

To the extent that Parker or its subsidiaries or authorized distributors provide component or system options based upon data or specifications provided by the user, the user is responsible for determining that such data and specifications are suitable and sufficient for all applications and reasonably foreseeable uses of the components or systems.

The products described herein, including without limitation, product features, specifications, designs, availability and pricing are subject to change by Parker Hannifin Corp and its subsidiaries at any time without notice.

Proposition 65 Warning: This product contains chemicals known to the state of California to cause cancer or birth defects or other reproductive harm.

© 2009 Parker Hannifin Corporation



Use mobile device to scan this QR Code.

LitPN: 25000015 Rev: H Date of Issue 09/2016



ENGINEERING YOUR SUCCESS.