

Filters for the Food Industry

Steam Filters

Balston Series SR Filters are in full compliance with the requirements of the US Food, Drug and Cosmetic Act. They also meet the regulations for Indirect Food Additives used as Basic Components for Repeated Use Food Contact Surfaces as specified in 21 CFR Part 177, and Current Good Manufacturing Practices, 21 CFR Part 110. These filters have been accepted by the USDA for use in federally inspected meat and poultry plants. Balston Steam Filters are in full compliance with the 3A Accepted Practices (Number 609-04) for producing steam of culinary quality. They are also in full compliance with the requirements of the Health Protection Branch of Health and Welfare Canada.

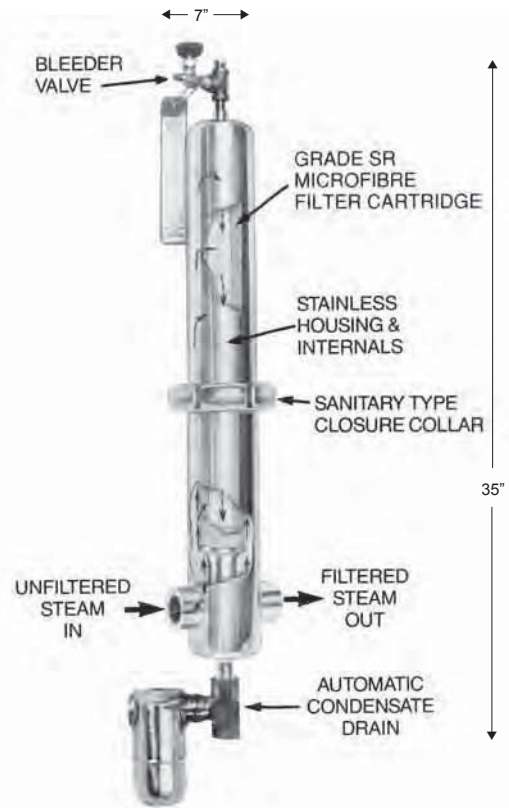
Benefits

Balston Steam Filters eliminate particulate contamination of food products caused by direct contact with dirty steam. Other benefits include: reduction in steam condensate mixing with food products when steam is used for agitating, mixing, or cooking; eliminate taste and odor problems by reducing boiler feed-water carryover; Reduced maintenance requirements.

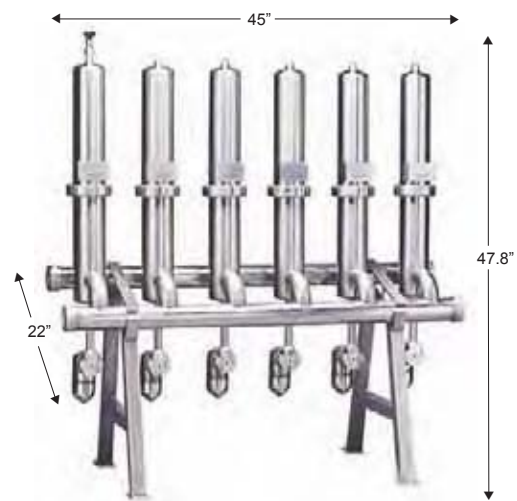
How it Works

The steam filter contains a patented Microfibre® filter cartridge in a rugged stainless steel housing designed specifically for steam service.

As shown in the cutaway drawing, steam enters the housing into an expansion chamber, where much of the condensate is knocked out of the steam as a result of the abrupt change in flow direction and velocity. The steam then flows upward in the housing, through the Balston grade SR microfibre filter cartridge (outside-to-inside flow), and then downward to the exit port. The grade SR filter cartridge, rated at 98+% efficiency for 0.1 micron and larger particles, removes essentially all the suspended solid particles and the remaining water droplets. The water draining from the filter cartridge and the expansion chamber is automatically removed from the housing by the automatic condensate drain.



Model 23/75SR



Model SP6-23/75SR

Filters for the Food Industry

Steam Filters

Recommended Steam Filters

For 3/4" and 1" Steam Lines

Model 23/75SR is recommended in smaller lines with a steam flow of up to 500 lbs. per hour. The filter is complete with filter cartridge, steam trap, and bleeder valve.

For 1-1/2" Steam Lines

Model SP3-23/75SR is recommended. It will filter up to 1500 lbs. of steam per hour. Each of the three filters has its own steam trap. A master trap disposes of most condensate before it reaches the filters. Manifolds can be connected to flow from left to right or right to left.

For 2" Steam Lines

Model SP4-23/75SR is recommended. It will filter up to 2000 lbs. of steam per hour. The Model SP6-23/75SR will filter up to 3000 lbs of steam per hour. Steam trap and manifold features are the same as the Model SP3-23/75.

Notes:

- 1 Each SP3, SP4, SP6 filter is supplied mounted on a stand.
- 2 Constructed of food grade EPR.
- 3 Each Steam Filter Assembly is supplied with filter cartridges installed.

Principal Specifications

Model	23/75SR	SP2-23/75R	SP3-23/75SR	SP4-23/75SR	SP6-23/75SR
Port Size	1" NPT	1 1/2" NPT	1 1/2" NPT	2" NPT	2" NPT
Max Pressure	125 psig	125 psig	125 psig	125 psig	125 psig
Flow Rate	500 lbs/hr	1000 lbs/hr	1500 lbs/hr	2000 lbs/hr	3000 lbs/hr
Materials of Construction	304 SS	304 SS	304 SS	304 SS	304 SS
Seals	EPR (2)	EPR (2)	EPR (2)	EPR (2)	EPR (2)
Shipping Wt	26 lbs. (12 kg)	Approx. 110 lbs	190 lbs. (86 kg)	220 lbs. (100 kg)	280 lbs. (127 kg)
Dimensions	7"W X 35"L (18cm X 88cm)	22"W X 46"L X 11"D (56cm X 117cm X 28cm)	29"W X 48"L X 21"D (74cm X 122cm X 53cm)	36"W X 48"L X 21"D (91cm X 122cm X 53cm)	50"W X 47.8"L X 22"D (74cm X 122cm X 53cm)

Ordering Information

For assistance, call toll-free at 1-800-343-4048 8AM to 5PM Eastern Time

Model	23/75SR	SP2-23/75SR	SP3-23/75SR	SP4-23/75SR	SP6-23/75SR
Replacement Filter Cartridges (Box of 10)	200-75-SR (3)	200-75-SR (3)	200-75-SR (3)	200-75-SR (3)	200-75-SR (3)
Filter Cartridges per housing	1	2	3	4	6

Offer of Sale

The items described in this document are hereby offered for sale at prices to be established by Parker Hannifin Corporation, its subsidiaries and its authorized distributors. This offer and its acceptance by any customer ("Buyer") shall be governed by all of the following Terms and Conditions. Buyer's order for any item described in its document, when communicated to Parker Hannifin Corporation, its subsidiary or an authorized distributor ("Seller") verbally or in writing, shall constitute acceptance of this offer.

1. Terms and Conditions of Sale: All descriptions, quotations, proposals, offers, acknowledgments, acceptances and sales of Seller's products are subject to and shall be governed exclusively by the terms and conditions stated herein. Buyer's acceptance of any offer to sell is limited to these terms and conditions. Any terms or conditions in addition to, or inconsistent with those stated herein, proposed by Buyer in any acceptance or an offer by Seller, are hereby objected to. No such additional, different or inconsistent terms and conditions shall become part of the contract between Buyer and Seller unless expressly accepted in writing by Seller. Seller's acceptance of any offer to purchase by Buyer is expressly conditional upon Buyer's assent to all the terms and conditions stated herein, including any terms in addition to, or inconsistent with those contained in Buyer's offer. Acceptance of Seller's products shall in all events constitute such assent.

2. Payment: Payment shall be made by Buyer within 30 days from the date of shipment. Amounts not timely paid shall bear interest at the Maximum rate permitted by law for each month or portion thereof that the Buyer is late making payment. Any claims by Buyer for omissions or shortages in a shipment shall be waived unless Seller receives notice thereof within 30 days after Buyer's receipt of the shipment.

3. Delivery: Unless otherwise provided on the face hereof, delivery shall be made F.O.B. Seller's plant. Regardless of the method of delivery, however, risk of loss shall pass to Buyer upon Seller's delivery to a carrier. Any delivery dates shown are approximate only and Seller shall have no liability for any delays in delivery.

4. Warranty: Seller warrants that the items sold hereunder shall be free from defects in material or workmanship for a period of 12 months from date of shipment to Buyer. THIS WARRANTY COMPRISES THE SOLE AND ENTIRE WARRANTY PERTAINING TO ITEMS PROVIDED HEREUNDER. SELLER MAKES NO OTHER WARRANTY, GUARANTEE, OR REPRESENTATION OF ANY KIND WHATSOEVER. ALL OTHER WARRANTIES, INCLUDING BUT NOT LIMITED TO, MERCHANTABILITY AND FITNESS FOR PURPOSE, WHETHER EXPRESS, IMPLIED, OR ARISING BY OPERATION OF LAW, TRADE USAGE, OR COURSE OF DEALING ARE HEREBY DISCLAIMED.

NOTWITHSTANDING THE FOREGOING, THERE ARE NO WARRANTIES WHATSOEVER ON ITEMS BUILT OR ACQUIRED WHOLLY OR PARTIALLY, TO BUYER'S DESIGNS OR SPECIFICATIONS.

5. Limitation of Remedy: SELLER'S LIABILITY ARISING FROM OR IN ANY WAY CONNECTED WITH THE ITEMS SOLD OR THIS CONTRACT SHALL BE LIMITED EXCLUSIVELY TO REPAIR OR REPLACEMENT OF ITEMS SOLD OR REFUND OF THE PURCHASE PRICE PAID BY BUYER, AT SELLER'S SOLE OPTION. IN NO EVENT SHALL SELLER BE LIABLE FOR ANY INCIDENTAL, CONSEQUENTIAL OR SPECIAL DAMAGES OF ANY KIND OR NATURE WHATSOEVER, INCLUDING BUT NOT LIMITED TO LOST PROFITS ARISING FROM OR IN ANY WAY CONNECTED WITH THIS AGREEMENT OR ITEMS SOLD HEREUNDER, WHETHER ALLEGED TO ARISE FROM BREACH OF CONTRACT, EXPRESS OR IMPLIED WARRANTY, OR IN TORT, INCLUDING WITHOUT LIMITATION, NEGLIGENCE, FAILURE TO WARN OR STRICT LIABILITY.

6. Changes, Reschedules and Cancellations: Buyer may request to modify the designs or specifications for the items sold hereunder as well as the quantities and delivery dates thereof, or may request to cancel all or part of this order, however, no such requested modification or cancellation shall become part of the contract between Buyer and Seller unless accepted by Seller in a written amendment to this agreement. Acceptance of any such requested modification or cancellation shall be at Seller's discretion, and shall be upon such terms and conditions as Seller may require.

7. Special Tooling: A tooling charge may be imposed for any special tooling, including without limitation, dies, fixtures, molds and patterns, acquired to manufacture items sold pursuant to this contract. Such special tooling shall be and remain Seller's property notwithstanding payment of any charges by Buyer. In no event will Buyer acquire any interest in apparatus belonging to Seller which is utilized in the manufacture of the items sold hereunder, even if such apparatus has been specially converted or adapted for such manufacture and notwithstanding any charges paid by Buyer. Unless otherwise agreed, Seller shall have the right to alter, discard or otherwise dispose of any special tooling or other property in its sole discretion at any time.

8. Buyer's Property: Any designs, tools, patterns, materials, drawings, confidential information or equipment furnished by Buyer or any other items which become Buyer's property, may be considered obsolete and may be destroyed by Seller after two (2) consecutive years have elapsed without Buyer placing an order for the items which are manufactured using such property. Seller shall not be responsible for any loss or damage to such property while it is in Seller's possession or control.

9. Taxes: Unless otherwise indicated on the face hereof, all prices and charges are exclusive of excise, sales, use, property, occupational or like taxes which may be imposed by any taxing authority upon the manufacture, sale or delivery of the items sold hereunder. If any such taxes must be paid by Seller or if Seller is liable for the collection of such tax, the amount thereof shall be in addition to the amounts for the items sold. Buyer agrees to pay all such taxes or to reimburse Seller therefore upon receipt of its invoice. If Buyer claims exemption from any sales, use or other tax imposed by any taxing authority, Buyer shall save Seller harmless from and against any such tax, together with any interest or penalties thereon which may be assessed if the items are held to be taxable.

10. Indemnity For Infringement of Intellectual Property Rights: Seller shall have no liability for infringement of any patents, trademarks, copyrights, trade dress, trade secrets or similar rights except as provided in this Part 10. Seller will defend and indemnify Buyer against allegations of infringement of U.S. patents, U.S. trademarks, copyrights, trade dress and trade secrets (hereinafter 'Intellectual Property Rights'). Seller will defend at its expense and will pay the cost of any settlement or damages awarded in an action brought against Buyer based on an allegation that an item sold pursuant to this contract infringes the Intellectual Property Rights of a third party. Seller's obligation to defend and indemnify Buyer is contingent on Buyer notifying Seller within ten (10) days after Buyer becomes aware of such allegations of infringement, and Seller having sole control over the defense of any allegations or actions including all negotiations for settlement or compromise. If an item sold hereunder is subject to a claim that it infringes the Intellectual Property Rights of a third party, Seller may, at its sole expense and option, procure for Buyer the right to continue using said item, replace or modify said item so as to make it noninfringing, or offer to accept return of said item and return the purchase price less a reasonable allowance for depreciation. Notwithstanding the foregoing, Seller shall have no liability for claims of infringement based on information provided by Buyer, or directed to items delivered hereunder for which the designs are specified in whole or part by Buyer, or infringements resulting from the modification, combination or use in a system of any item sold hereunder. The foregoing provisions of this Part 10 shall constitute Seller's sole and exclusive liability and Buyer's sole and exclusive remedy for infringement of Intellectual Property Rights.

If a claim is based on information provided by Buyer or if the design for an item delivered hereunder is specified in whole or in part by Buyer, Buyer shall defend and indemnify Seller for all costs, expenses or judgments resulting from any claim that such item infringes any patent, trademark, copyright, trade dress, trade secret or any similar right.

11. Force Majeure: Seller does not assume the risk of and shall not be liable for delay or failure to perform any of Seller's obligations by reason of circumstances beyond the reasonable control of Seller (hereinafter 'Events of Force Majeure'). Events of Force Majeure shall include without limitation, accidents, acts of God, strikes or labor disputes, acts, laws, rules or regulations of any government or government agency, fires, floods, delays or failures in delivery of carriers or suppliers, shortages of materials and any other cause beyond Seller's Control.

12. Entire Agreement/Governing Law: The terms and conditions set forth herein, together with any amendments, modifications and any different terms or conditions expressly accepted by Seller in writing, shall constitute the entire Agreement concerning the items sold, and there are no oral or other representations or agreements which pertain thereto. This Agreement shall be governed in all respects by the law of the State of Ohio. No actions arising out of the sale of the items sold hereunder or this Agreement may be brought by either party more than two (2) years after the cause of action accrues.