

General-purpose Enclosed Switches with High Breaking Capacity and High Durability



- Z General-purpose Basic Switches are built into ZE, ZV, and ZV2 Switches. They provided high durability and high breaking capacity.
- X Basic Switches with magnetic blowout are built into XE, XV, and XV2 Switches. DC models have also been added to the series.
- Three mounting methods (side, base, and diagonal side) and many types of actuator are available.
- Terminals face the front when the cover is removed for easy connection.
- Switches with ground terminals have CE marking.
- Approved by UL, CSA, and CCC (Chinese standard). (Ask your OMRON representative for information on approved models.)



! Be sure to read *Safety Precautions* on page 8 to 9 and *Safety Precautions for All Limit Switches*.

Model Number Structure

Model Number Legend (Not all combinations are possible. Ask your OMRON representative for details.)

□□-□-2□
 (1)(2) (3) (4)

(1) Built-in Switch

- Z : SPDT (AC)
- X : SPDT (DC)

(2) Mounting Direction

- E : Side mounting
- V : Base mounting
- V2 : Diagonal side mounting

(3) Actuator











- Q : Plunger
- Q22 : Roller plunger
- Q21 : Crossroller plunger
- QA2 : Roller arm lever
- QA277 : One-way action roller arm lever
- N : Sealed plunger
- N22 : Sealed roller plunger (ZE, ZV, ZV2 only)
- N21 : Sealed crossroller plunger (ZE, ZV, ZV2 only)
- NA2 : Sealed roller arm lever
- NA277 : Sealed one-way action roller arm lever

(4) Conduit/Ground Terminal *

- None : G 1/2/without ground terminal
- G1 : G 1/2/with ground terminal
- G : Pg13.5/with ground terminal
- SG1 : 1/2-14NPSM/with ground terminal
- YG1 : M20/with ground terminal
- S : 1/2-14NPSM/without ground terminal
- Y : M20/without ground terminal

* Consult with your OMRON representative concerning availability, pricing, and delivery of conduit sizes and ground terminal specifications other than those on standard models.

Ordering Information

Mounting			Side mounting				Base mounting				Diagonal side mounting			
			Model		Approved standards		Model		Approved standards		Model		Approved standards	
					UL	CSA			UL	CSA			UL	CSA
General purpose	Plunger		AC	ZE-Q-2	●	●	ZV-Q-2	●	●	ZV2-Q-2	●	●		
			DC	XE-Q-2			XV-Q-2			XV2-Q-2				
	Roller plunger		AC	ZE-Q22-2	●	●	ZV-Q22-2	●	●	ZV2-Q22-2	●	●		
			DC	XE-Q22-2			XV-Q22-2			XV2-Q22-2				
	Crossroller plunger		AC	ZE-Q21-2	●	●	ZV-Q21-2	●	●	ZV2-Q21-2	●	●		
			DC	XE-Q21-2			XV-Q21-2			---				
	Roller arm lever		AC	ZE-QA2-2	●	●	ZV-QA2-2	●	●	ZV2-QA2-2	●	●		
			DC	XE-QA2-2			XV-QA2-2			XV2-QA2-2				
	One-way action roller arm lever		AC	ZE-QA277-2	●	●	---			ZV2-QA277-2	●	●		
			DC	XE-QA277-2			---			---				
	Sealed (Booted)	Sealed plunger		AC	ZE-N-2	●	●	ZV-N-2	●	●	ZV2-N-2	●	●	
				DC	XE-N-2			XV-N-2			XV2-N-2			
Sealed roller plunger			AC	ZE-N22-2	●	●	ZV-N22-2	●	●	ZV2-N22-2	●	●		
Sealed crossroller plunger			AC	ZE-N21-2	●	●	ZV-N21-2	●	●	ZV2-N21-2	●	●		
Sealed roller arm lever			AC	ZE-NA2-2	●	●	ZV-NA2-2	●	●	ZV2-NA2-2	●	●		
			DC	XE-NA2-2			XV-NA2-2			XV2-NA2-2				
One-way action sealed roller arm lever			AC	ZE-NA277-2	●	●	ZV-NA277-2	●	●	ZV2-NA277-2	●	●		
			DC	XE-NA277-2			---			XV2-NA277-2				

Note: 1. The diagonal side mounting model feature improved sealing property, improved mounting strength through use of M5 screws, increased stability in seating with large mounting width (31 x 75 mm) and permit coupling of a number of Switch units.
 2. Ask your OMRON representative for information on models with ground terminals.

Specifications

Approved Standards

Agency	Standard	File No.
UL	UL508	E76675
CSA	CSA C22.2 No.14	LR45746
CCC (CQC)	GB14048.5	2003010303077623

Note: 1. Models XE, XV, and XV2 are not approved by UL, CSA, and CCC.
 2. Ask your OMRON representative for information on approved models.

Ratings

Model	Rated voltage	Non-inductive load (A)				Inductive load (A)			
		Resistive load		Lamp load		Inductive load		Motor load	
		NC	NO	NC	NO	NC	NO	NC	NO
ZE-□ ZV-□ ZV2-□	125 VAC	15	3	1.5		15	5	2.5	
	250 VAC	15	3	1.5		15	3	1.5	
	480 VAC	10	1.5	0.75		6	1.5	0.75	
	125 VDC	0.5	0.5			0.05		0.05	
	250 VDC	0.25	0.25			0.03		0.03	
XE-□ XV-□ XV2-□	8 VDC	10	3	1.5	10	10	5	2.5	
	14 VDC	10	3	1.5	10	10	5	2.5	
	30 VDC	10	3	1.5	10	10	5	2.5	
	125 VDC	10	3	1.5	7.5	6	2	2.5	
	250 VDC	3	1.5	0.75	2	1.5	2	1.5	

Inrush current	NC	30 A max.
	NO	15 A max.

Note: 1. The above figures are for standard currents.
 2. Inductive loads have a power factor of 0.4 min. (AC) and a time constant of 7 ms max. (DC).
 3. Lamp load has an inrush current of 10 times the steady-state current.
 4. Motor load has an inrush current of 6 times the steady-state current.

Approved Standard Ratings
UL/CSA

Model	Rated voltage	Current	Horsepower
ZE	125 VAC	15 A	1/8HP
	250 VAC	15 A	1/4HP
	480 VAC	15 A	
	125 VDC	0.5 A	---
	250 VDC	0.25 A	

CCC (GB14048.5)

Applicable category and ratings
AC-12 10 A/250 VAC

Characteristics

Degree of protection		IP65*1
Durability *2	Mechanical	Z□: 10,000,000 operations min. X□: 1,000,000 operations min.
	Electrical	Z□: 500,000 operations min., for 15 A, 250 VAC resistive load X□: 100,000 operations min., for 10 A, 125 VDC resistive load
Operating speed		Plunger type: 0.01 mm/s to 0.5 m/s Lever type: 0.02 mm/s to 0.5 m/s
Operating frequency	Mechanical	120 operations/min
	Electrical	20 operations/min
Rated frequency		50/60 Hz
Insulation resistance		100 MΩ min. (at 500 VDC)
Contact resistance		15 mΩ max. (initial value)
Terminal temperature rise		50°C max.
Dielectric strength	Between terminals of the same polarity	1,000 VAC, 50/60 Hz for 1 min
	Between current-carrying metal part and ground	Z□: 2,000 VAC, 50/60 Hz for 1 min X□: 1,500 VAC, 50/60 Hz for 1 min
	Between each terminal and non-current-carrying metal part	Z□: 2,000 VAC, 50/60 Hz for 1 min X□: 1,500 VAC, 50/60 Hz for 1 min
Vibration resistance	Malfunction	10 to 55 Hz, 1.5-mm double amplitude*3
Shock resistance *3	Destruction	1,000m/s ² min.
	Malfunction	100 m/s ² min.*4 50 m/s ² min.*5
Ambient operating temperature		-10°C to +80°C (with no icing)
Ambient operating humidity		General-purpose type: 35% to 85%RH Sealed type: 35% to 95%RH
Weight		Approx. 260 to 280 g

Note: The above figures are initial values.

*1. IP65 for □-N models and IP60 for □-Q models.

*2. The values are calculated at an operating temperature of +5°C to +35°C, and an operating humidity of 40% to 70%RH. Contact your OMRON sales representative for more detailed information on other operating environments.

*3. At the operation limit positions.

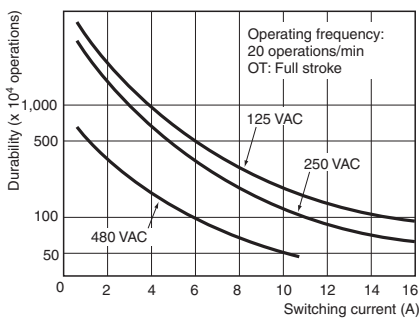
*4. Only for plunger, sealed plunger, roller arm lever, and sealed roller arm lever.

*5. Only for crossroller plunger, sealed crossroller plunger, roller plunger, and sealed roller plunger.

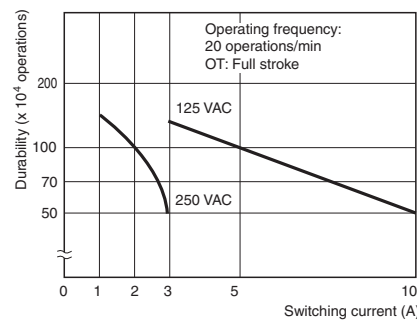
Engineering Data

Electrical Durability

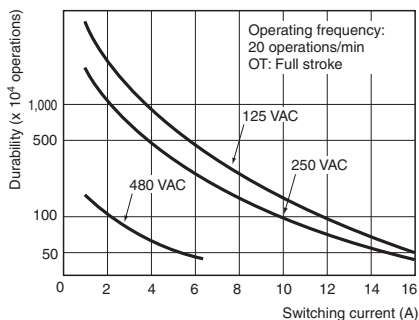
ZE (cosφ = 1)



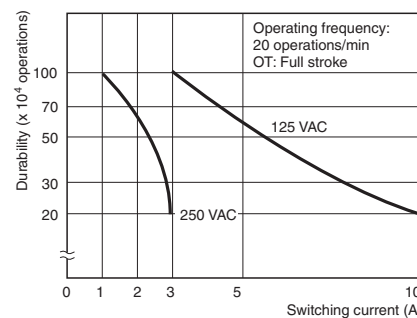
XE (L/R = 0)



ZE (cosφ = 0.4)

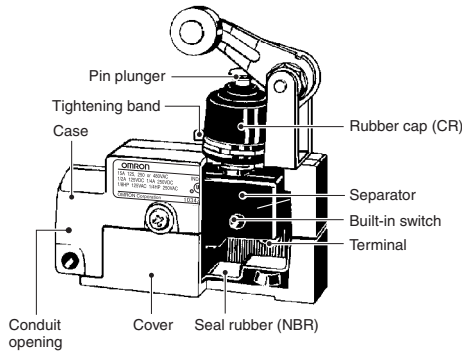


XE (L/R = 7 ms)



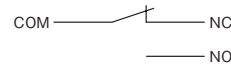
Structure and Nomenclature

Structure
ZE-NA2-2



Note: The conduit thread indication has been changed from "PF1/2" to "G1/2" accompanying the JIS B 0202 revision. This changes applies only to the indication; thread sizes and pitches have not been affected.

Contact Form



Note: With the XE-□, XV-□, and XV2-□□, be sure to connect COM to the + terminal.

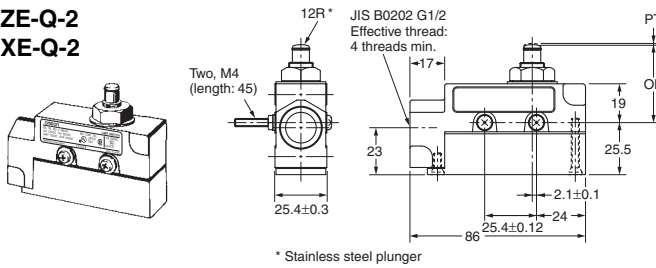
Dimensions and Operating Characteristics

(Unit: mm)

Side Mounting Models

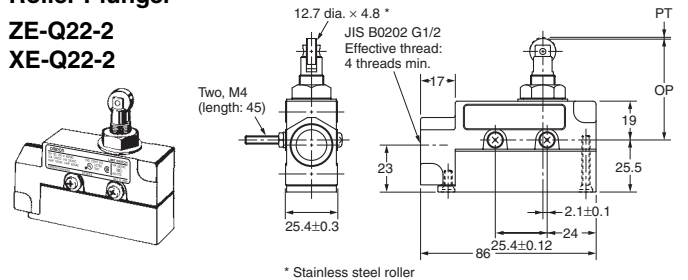
Plunger

ZE-Q-2
XE-Q-2



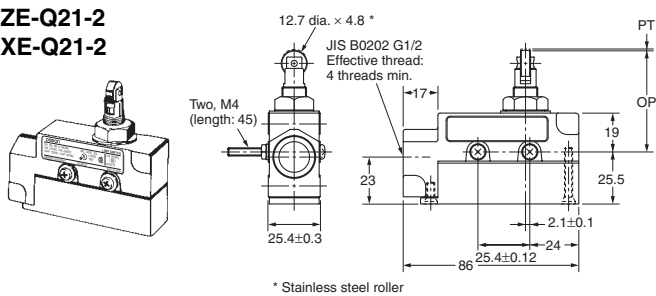
Roller Plunger

ZE-Q22-2
XE-Q22-2



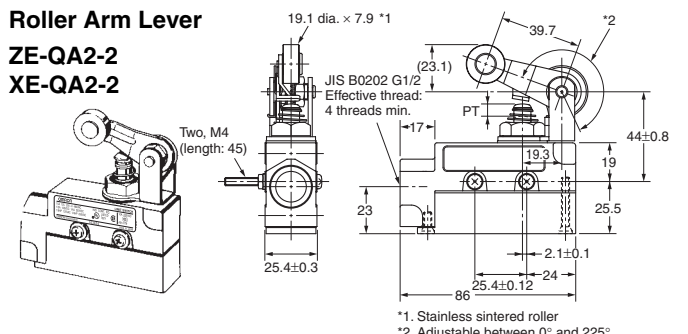
Crossroller Plunger

ZE-Q21-2
XE-Q21-2



Roller Arm Lever

ZE-QA2-2
XE-QA2-2

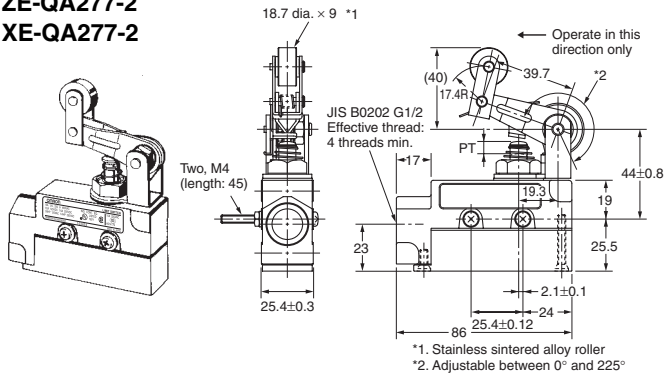


Note: 1. Unless otherwise specified, a tolerance of ±0.4 mm applies to all dimensions.
2. The diagrams shown the Switches with two, M4 screws (length: 45) attached. (The screws are provided.)

Operating characteristics	Model	ZE-Q-2	XE-Q-2	ZE-Q22-2	XE-Q22-2	ZE-Q21-2	XE-Q21-2	ZE-QA2-2	XE-QA2-2
Operating force	OF	2.45 to 3.43 N	5.00 N max.	2.45 to 3.43 N	5.00 N max.	2.45 to 3.43 N	5.00 N max.	5.59 N max.	6.47 N max.
Release force	RF min.	1.12 N	1.12 N	1.12 N	1.12 N	1.12 N	1.12 N	1.67 N	1.67 N
Pretravel	PT max.	0.4 mm	0.9 mm	0.5 mm	0.9 mm	0.5 mm	0.9 mm	4 mm	6 mm
Over Travel	OT min.	5.5 mm	5.5 mm	3.6 mm	3.6 mm	3.6 mm	3.6 mm	6 mm	5.5 mm
Movement Differential	MD max.	0.05 mm	0.47 mm	0.05 mm	0.47 mm	0.05 mm	0.47 mm	0.4 mm	0.72 mm
Operating Position	OP	38.2±0.8 mm		49.7±1 mm		49.7±1 mm		---	

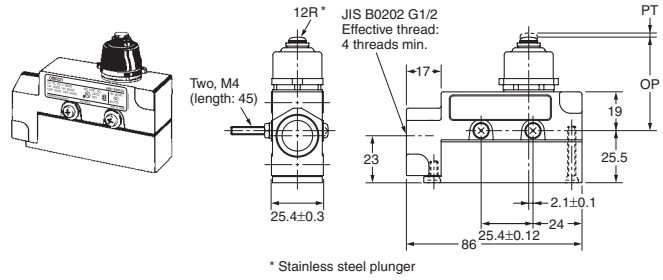
One-way Action Roller Arm Lever

ZE-QA277-2
XE-QA277-2



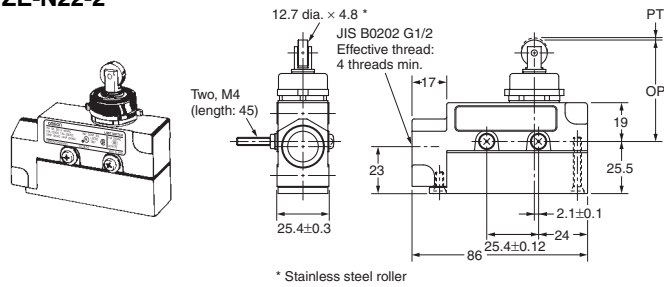
Sealed Plunger

ZE-N-2
XE-N-2



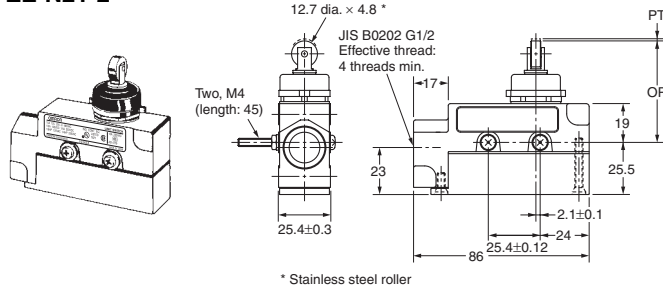
Sealed Roller Plunger

ZE-N22-2



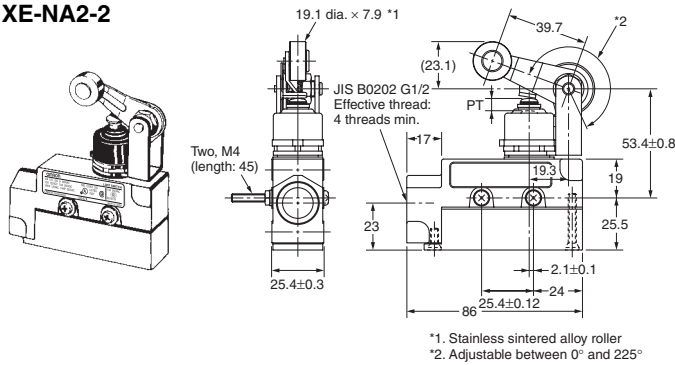
Sealed Crossroller Plunger

ZE-N21-2



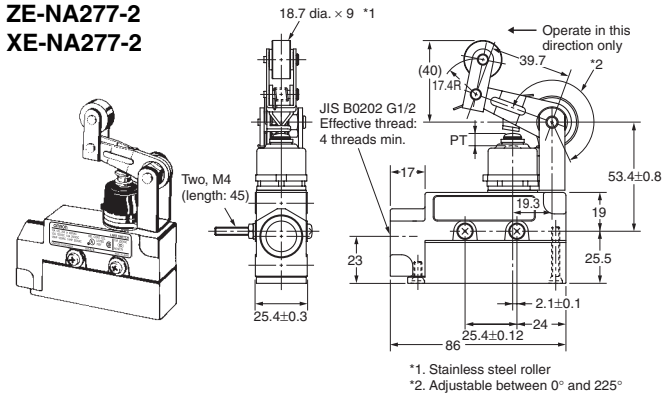
Sealed Roller Arm Lever

ZE-NA2-2
XE-NA2-2



One-way Action Sealed Roller Arm Lever

ZE-NA277-2
XE-NA277-2



Note: 1. Unless otherwise specified, a tolerance of ±0.4 mm applies to all dimensions.

2. The diagrams shown the Switches with two, M4 screws (length: 45) attached. (The screws are provided.)

	ZE-QA277-2	XE-QA277-2	ZE-N-2	XE-N-2	ZE-N22-2
OF max.	5.59 N	6.47 N	7.85 N	10.20 N	4.90 N
RF min.	1.67 N	1.67 N	2.35 N	2.35 N	0.98 N
PT max.	4 mm	6 mm	2 mm	3 mm	1 mm
OT min.	6 mm	5.5 mm	5 mm	4 mm	3.5 mm
MD max.	0.4 mm	0.72 mm	0.1 mm	0.47 mm	0.12 mm
OP	---		45.8±0.8 mm		49.7±0.8 mm

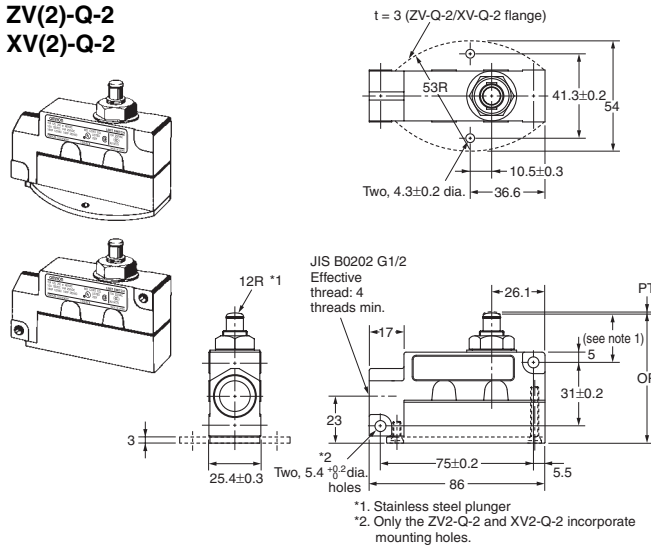
	ZE-N21-2	ZE-NA2-2	XE-NA2-2	ZE-NA277-2	XE-NA277-2
OF max.	4.90 N	6.28 N	7.26 N	6.28 N	7.26 N
RF min.	0.98 N	2.26 N	2.26 N	2.26 N	2.26 N
PT max.	1 mm	5 mm	6 mm	5 mm	6 mm
OT min.	3.5 mm	6 mm	5.5 mm	6 mm	5.5 mm
MD max.	0.12 mm	0.4 mm	0.72 mm	0.4 mm	0.72 mm
OP	49.7±0.8 mm	---		---	

Base Mounting/Diagonal Side Mounting Models

The diagrams show the base-mounted model (ZV-□ or XV-□) on top and the diagonal side-mounted model (ZV2-□ or XV2-□) on bottom. The flange on base-mounted models is shown with dotted lines.

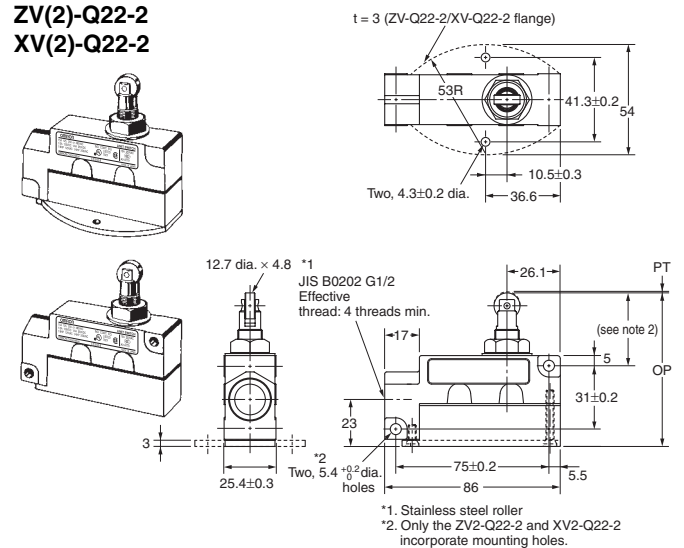
Plunger

ZV(2)-Q-2
XV(2)-Q-2



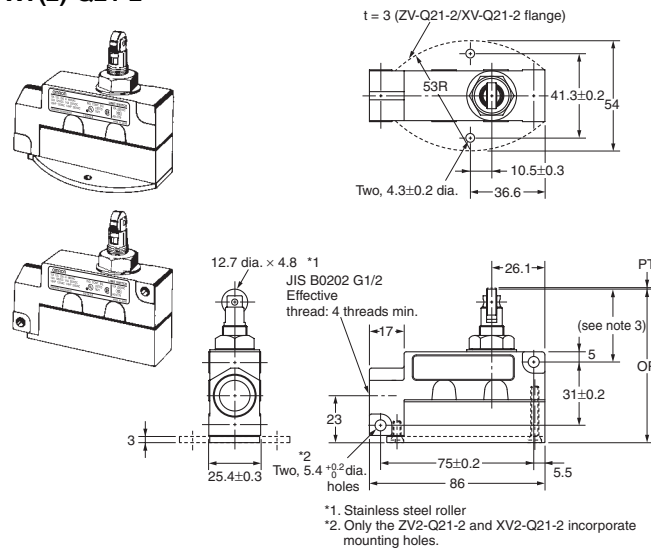
Roller Plunger

ZV(2)-Q22-2
XV(2)-Q22-2



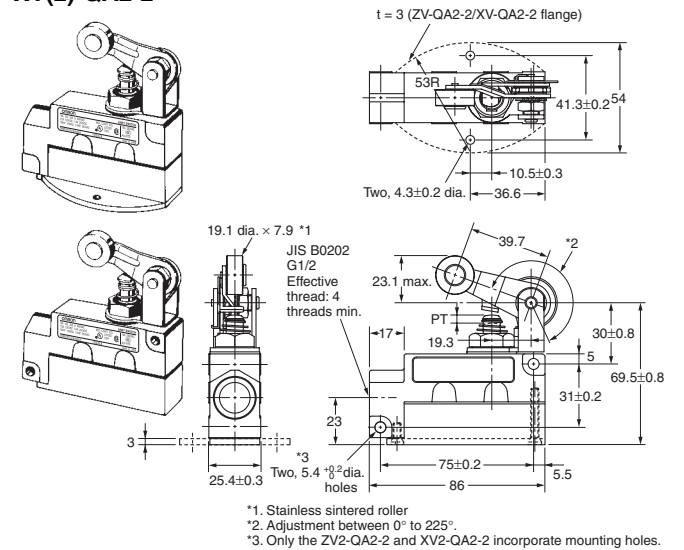
Crossroller Plunger

ZV(2)-Q21-2
XV(2)-Q21-2



Roller Arm Lever

ZV(2)-QA2-2
XV(2)-QA2-2



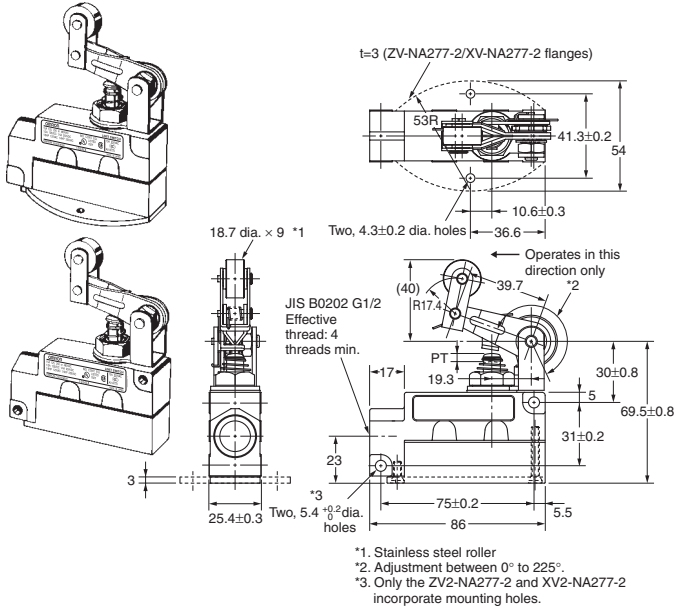
Note: Unless otherwise specified, a tolerance of ±0.4 mm applies to all dimensions.

	ZV-Q-2 ZV2-Q-2	XV-Q-2 XV2-Q-2	ZV-Q22-2 ZV2-Q22-2	XV-Q22-2 XV2-Q22-2	ZV-Q21-2 ZV2-Q21-2	XV-Q21-2 XV2-Q21-2	ZV-QA2-2 ZV2-QA2-2	XV-QA2-2 XV2-QA2-2
OF	2.45 to 3.43 N	5.00 N max.	2.45 to 3.43 N	5.00 N max.	2.45 to 3.43 N	5.00 N max.	5.59 N max.	6.47 N max.
RF min.	1.12 N	1.12 N	1.12 N	1.12 N	1.12 N	1.12 N	1.67 N	1.67 N
PT max.	0.4 mm	0.9 mm	0.5 mm	0.9 mm	0.5 mm	0.9 mm	4 mm	6 mm
OT min.	5.5 mm	5.5 mm	3.6 mm	3.6 mm	3.6 mm	3.6 mm	6 mm	5.5 mm
MD max.	0.05 mm	0.47 mm	0.05 mm	0.47 mm	0.05 mm	0.47 mm	0.4 mm	0.72 mm
OP	63.7±0.8 mm (see note 1) (ZV-Q-2, XV-Q-2)		75.2±0.8 mm (see note 2) (ZV-Q22-2, XV-Q21-2)		75.2±0.8 mm (see note 3) (ZV-Q22-2, XV-Q21-2)		---	

Note: 1. OP for ZV2-Q-2 and XV2-Q-2 is 24.2 ±0.8 mm.
2. OP for ZV2-Q22-2 and XV2-Q22-2 is 35.7 ±1 mm.
3. OP for ZV2-Q21-2 and XV2-Q21-2 is 35.7 ±0.8 mm.

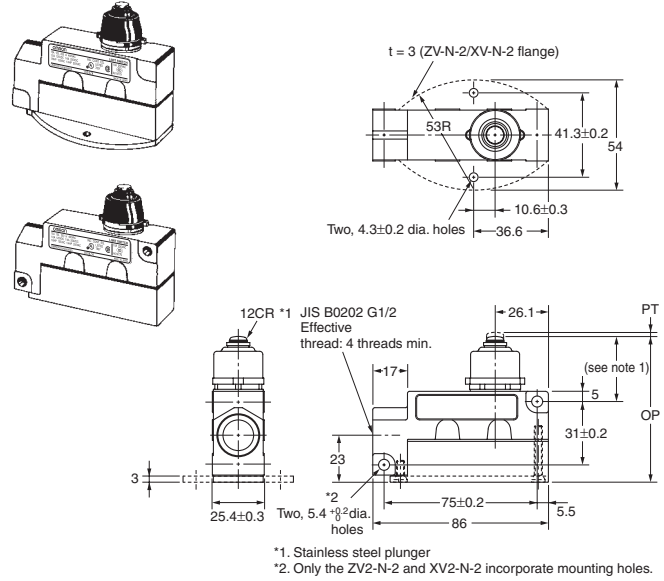
One-way Action Roller Arm Lever

ZV2-QA277-2
XV(2)-QA277-2



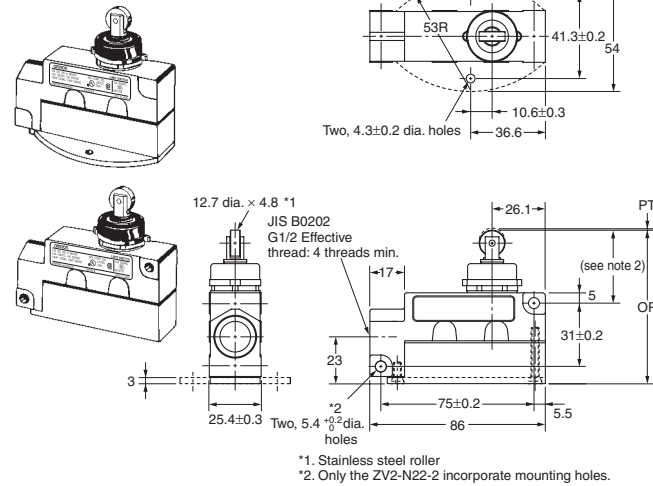
Sealed Plunger

ZV(2)-N-2
XV(2)-N-2



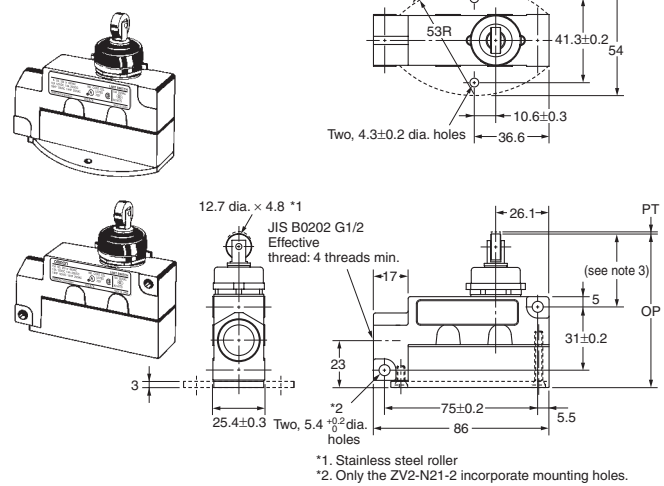
Sealed Roller Plunger

ZV(2)-N22-2



Sealed Crossroller Plunger

ZV(2)-N21-2



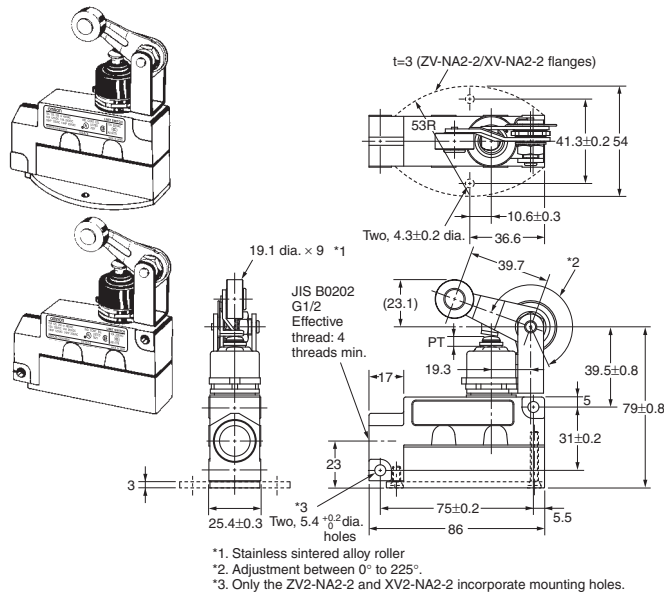
Note: Unless otherwise specified, a tolerance of ±0.4 mm applies to all dimensions.

	ZV2-QA277-2	XV-QA277-2 XV2-QA277-2	ZV-N-2 ZV2-N-2	XV-N-2 XV2-N-2	ZV-N22-2 ZV2-N22-2	ZV-N21-2 ZV2-N21-2
OF max.	5.59 N	6.47 N	7.85 N	10.20 N	4.90 N	4.90 N
RF min.	1.67 N	1.67 N	2.35 N	2.35 N	0.98 N	0.98 N
PT max.	4 mm	6 mm	2 mm	3 mm	1 mm	1 mm
OT min.	6 mm	5.5 mm	5 mm	4 mm	3.5 mm	3.5 mm
MD max.	0.4 mm	0.72 mm	0.1 mm	0.47 mm	0.12 mm	0.12 mm
OP	---		71.4±0.8 mm (see note 1) (ZV-N-2, XV-N-2)		75.2±0.8 mm (see note 2) (ZV-N22-2)	75.2±0.8 mm (see note 3) (ZV-N21-2)

Note: 1. OP for ZV2-N-2 and XV2-N-2 is 31.9 ±0.8 mm.
2. OP for ZV2-N22-2 is 35.7 ±0.8 mm.
3. OP for ZV2-N21-2 is 35.7 ±0.8 mm.

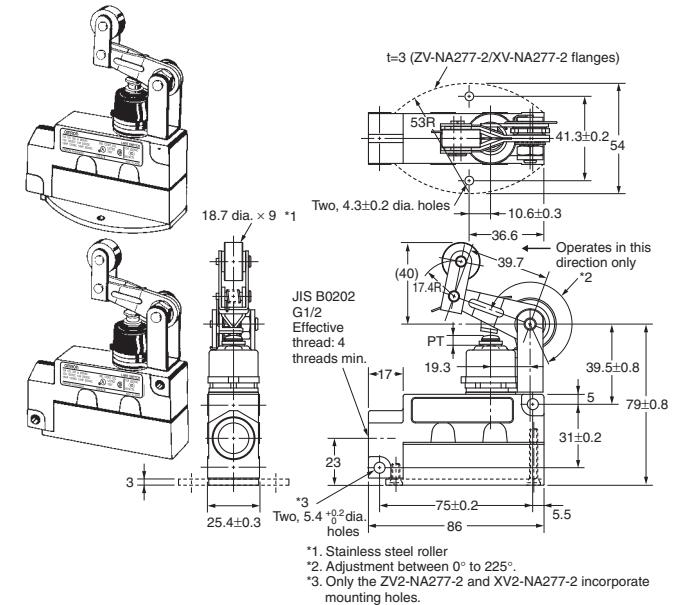
Sealed Roller Arm Lever

ZV(2)-NA2-2
XV(2)-NA2-2



One-way Action Sealed Roller Arm Lever

ZV(2)-NA277-2
XV(2)-NA277-2



Note: Unless otherwise specified, a tolerance of ±0.4 mm applies to all dimensions.

	ZV-NA2-2 ZV2-NA2-2	XV-NA2-2 XV2-NA2-2	ZV-NA277-2 ZV2-NA277-2	XV-NA277-2 XV2-NA277-2
OF max.	6.28 N	7.26 N	6.28 N	7.26 N
RF min.	2.26 N	2.26 N	2.26 N	2.26 N
PT max.	5 mm	6 mm	5 mm	6 mm
OT min.	6 mm	5.5 mm	6 mm	5.5 mm
MD max.	0.4 mm	0.72 mm	0.4 mm	0.72 mm

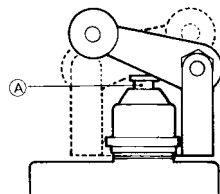
Safety Precautions

Refer to *Safety Precautions for All Limit Switches.*

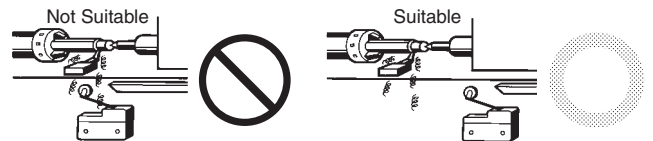
Precautions for Correct Use

Operating Environment

- Seal material may deteriorate if a Switch is used outdoor or where subject to special cutting oils, solvents, or chemicals. Always appraise performance under actual application conditions and set suitable maintenance and replacement periods.
- Be sure to protect part A with grease in order to maintain the mechanical durability and performance of the Limit Switch. The use of molybdenum disulfide grease is recommended.



- Install Switches where they will not be directly subject to cutting chips, dust, or dirt. The Actuator and Switch must also be protected from the accumulation of cutting chips or sludge.



- Constantly subjecting a Switch to vibration or shock can result in wear, which can lead to contact interference with contacts, operation failure, reduced durability, and other problems. Excessive vibration or shock can lead to false contact operation or damage. Install Switches in locations not subject to shock and vibration and in orientations that will not produce resonance.
- The Switches have physical contacts. Using them in environments containing silicon gas will result in the formation of silicon oxide (SiO₂) due to arc energy. If silicon oxide accumulates on the contacts, contact interference can occur. If silicon oil, silicon filling agents, silicon cables, or other silicon products are present near the Switch, suppress arcing with contact protective circuits (surge killers) or remove the source of silicon gas.

Mounting

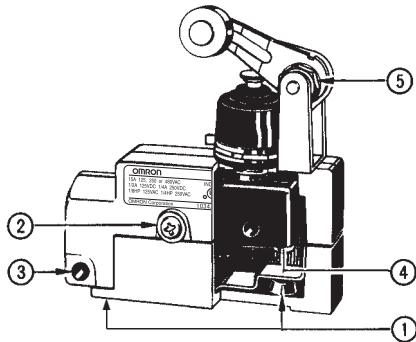
- With the Roller Lever-type Enclosed Switches, the roller arm has been temporarily tightened prior to shipment, so that its position may be adjusted later. When mounting the Switch, be sure to re-tighten the roller arm so as to prevent it from becoming loose during operation.
- To adequately maintain the seals at the mounting screw section on the side of the Enclosed Switch, insert each O-ring correctly and secure it with the lock nut.
- To provide the Switch with improved sealing property, use of the SC Connector is recommended. Refer to *Limit Switch Connectors* for details on SC Connectors.
- When routing wires into the conduit opening, be sure that cuttings and other foreign matter do not enter the Switch.

Appropriate Tightening Torque

A loose screw may result in a malfunction. Be sure to tighten each screw to the proper tightening torque as shown below.

No.	Type	Appropriate tightening torque
1	Cover mounting screw	1.18 to 1.37 N·m
2	Switch mounting screw*1	1.18 to 1.37 N·m
3	Switch mounting screw*2	4.90 to 5.88 N·m
4	Switch terminal screw (M4 screws)	0.78 to 1.18 N·m
5	Roller arm mounting nut	4.90 to 5.88 N·m

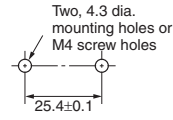
*1. This torque range applies to side mounting or bottom mounting. (M4 screws)
 *2. This torque range applies to diagonal side mounting. (M5 Allen-head bolt)



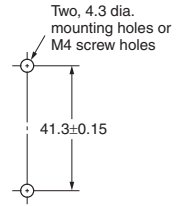
Mounting

Mounting Holes

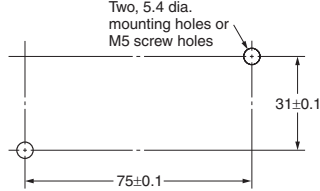
Side Mounting



Bottom Mounting



Side Diagonal Mounting

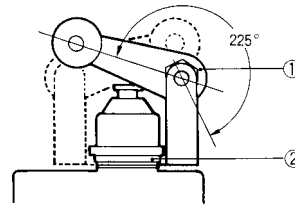


Operation

- Operating method, shape of cam or dog, operating frequency, and the overtravel (OT) have significant effect on the service life and precision of the Limit Switch. Make sure that the shape of the cam is smooth enough.
- Check that OT has a sufficient margin. The actual OT should be rated OT x 0.7 to 1.

Dedicated Wrench

1. The roller arm can be set freely within a range of 225° after loosening the nut.
2. The roller arm mounting bracket can be set in any direction after loosening the nut.



- Make sure that the nut is free of foreign substances when the nut is loosened.
- A dedicated wrench is provided separately.

Model
SUPANA FOR ZE

Read and Understand This Catalog

Please read and understand this catalog before purchasing the products. Please consult your OMRON representative if you have any questions or comments.

Warranty and Limitations of Liability

WARRANTY

OMRON's exclusive warranty is that the products are free from defects in materials and workmanship for a period of one year (or other period if specified) from date of sale by OMRON.

OMRON MAKES NO WARRANTY OR REPRESENTATION, EXPRESS OR IMPLIED, REGARDING NON-INFRINGEMENT, MERCHANTABILITY, OR FITNESS FOR PARTICULAR PURPOSE OF THE PRODUCTS. ANY BUYER OR USER ACKNOWLEDGES THAT THE BUYER OR USER ALONE HAS DETERMINED THAT THE PRODUCTS WILL SUITABLY MEET THE REQUIREMENTS OF THEIR INTENDED USE. OMRON DISCLAIMS ALL OTHER WARRANTIES, EXPRESS OR IMPLIED.

LIMITATIONS OF LIABILITY

OMRON SHALL NOT BE RESPONSIBLE FOR SPECIAL, INDIRECT, OR CONSEQUENTIAL DAMAGES, LOSS OF PROFITS OR COMMERCIAL LOSS IN ANY WAY CONNECTED WITH THE PRODUCTS, WHETHER SUCH CLAIM IS BASED ON CONTRACT, WARRANTY, NEGLIGENCE, OR STRICT LIABILITY.

In no event shall the responsibility of OMRON for any act exceed the individual price of the product on which liability is asserted.

IN NO EVENT SHALL OMRON BE RESPONSIBLE FOR WARRANTY, REPAIR, OR OTHER CLAIMS REGARDING THE PRODUCTS UNLESS OMRON'S ANALYSIS CONFIRMS THAT THE PRODUCTS WERE PROPERLY HANDLED, STORED, INSTALLED, AND MAINTAINED AND NOT SUBJECT TO CONTAMINATION, ABUSE, MISUSE, OR INAPPROPRIATE MODIFICATION OR REPAIR.

Application Considerations

SUITABILITY FOR USE

OMRON shall not be responsible for conformity with any standards, codes, or regulations that apply to the combination of products in the customer's application or use of the products.

At the customer's request, OMRON will provide applicable third party certification documents identifying ratings and limitations of use that apply to the products. This information by itself is not sufficient for a complete determination of the suitability of the products in combination with the end product, machine, system, or other application or use.

The following are some examples of applications for which particular attention must be given. This is not intended to be an exhaustive list of all possible uses of the products, nor is it intended to imply that the uses listed may be suitable for the products:

- Outdoor use, uses involving potential chemical contamination or electrical interference, or conditions or uses not described in this catalog.
- Nuclear energy control systems, combustion systems, railroad systems, aviation systems, medical equipment, amusement machines, vehicles, safety equipment, and installations subject to separate industry or government regulations.
- Systems, machines, and equipment that could present a risk to life or property.

Please know and observe all prohibitions of use applicable to the products.

NEVER USE THE PRODUCTS FOR AN APPLICATION INVOLVING SERIOUS RISK TO LIFE OR PROPERTY WITHOUT ENSURING THAT THE SYSTEM AS A WHOLE HAS BEEN DESIGNED TO ADDRESS THE RISKS, AND THAT THE OMRON PRODUCTS ARE PROPERLY RATED AND INSTALLED FOR THE INTENDED USE WITHIN THE OVERALL EQUIPMENT OR SYSTEM.

PROGRAMMABLE PRODUCTS

OMRON shall not be responsible for the user's programming of a programmable product, or any consequence thereof.

Disclaimers

CHANGE IN SPECIFICATIONS

Product specifications and accessories may be changed at any time based on improvements and other reasons.

It is our practice to change model numbers when published ratings or features are changed, or when significant construction changes are made. However, some specifications of the products may be changed without any notice. When in doubt, special model numbers may be assigned to fix or establish key specifications for your application on your request. Please consult with your OMRON representative at any time to confirm actual specifications of purchased products.

DIMENSIONS AND WEIGHTS

Dimensions and weights are nominal and are not to be used for manufacturing purposes, even when tolerances are shown.

PERFORMANCE DATA

Performance data given in this catalog is provided as a guide for the user in determining suitability and does not constitute a warranty. It may represent the result of OMRON's test conditions, and the users must correlate it to actual application requirements. Actual performance is subject to the OMRON Warranty and Limitations of Liability.

ERRORS AND OMISSIONS

The information in this document has been carefully checked and is believed to be accurate; however, no responsibility is assumed for clerical, typographical, or proofreading errors, or omissions.

2008.11

In the interest of product improvement, specifications are subject to change without notice.

OMRON Corporation
Industrial Automation Company

<http://www.ia.omron.com/>

(c)Copyright OMRON Corporation 2008 All Right Reserved.