

■ Accessories (Order Separately)

One-touch Mounting Plates

| Model |
|-----------------|
| R99-12 FOR G3NA |

Heat Sinks

DIN-track Mounting

| Model | Applicable SSR |
|-------------|--|
| Y92B-N50 | G3NA-205B-UTU, G3NA-210B-UTU, G3NA-D210B-UTU, G3NA-410B-UTU, G3NE-210T(L)-US |
| Y92B-N100 | G3NA-220B-UTU, G3NA-420B-UTU, G3NE-220T(L)-US |
| Y92B-N150 | G3NA-225B-UTU, G3NA-240B-UTU, G3NA-425B-UTU-2, G3NA-440B-UTU-2 |
| Y92B-P250 | G3NA-250B-UTU, G3NA-450B-UTU-2 |
| Y92B-P250NF | G3NA-275B-UTU-2, G3NA-290B-UTU-2, G3NA-475B-UTU-2, G3NA-490B-UTU-2 |

Mounting Bracket

(Be scheduled to close the order at the end of March 2020.)

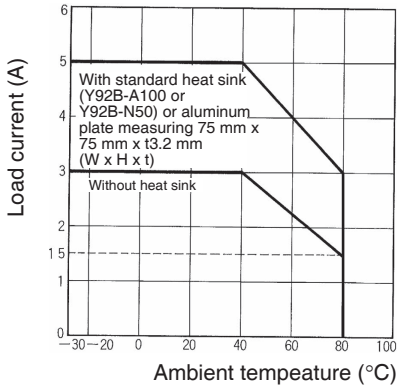
| Model | Applicable SSR |
|--------|--|
| R99-11 | G3NA-240B-UTU, G3NA-250B-UTU, G3NA-440B-UTU-2, G3NA-450B-UTU-2 |

Screw Mounting

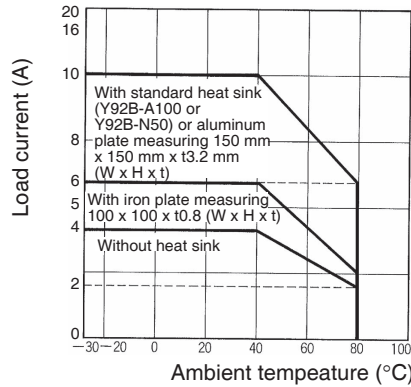
| Model | Applicable SSR |
|------------|---|
| Y92B-A100 | G3NA-205B-UTU, G3NA-210B-UTU, G3NA-D210B-UTU, G3NA-220B-UTU, G3NA-410B-UTU, G3NA-420B-UTU |
| Y92B-A150N | G3NA-225B-UTU, G3NA-240B-UTU, G3NA-425B-UTU-2, G3NA-440B-UTU-2 |
| Y92B-A250 | G3NA-440B-UTU-2 |

Load Current vs. Ambient Temperature

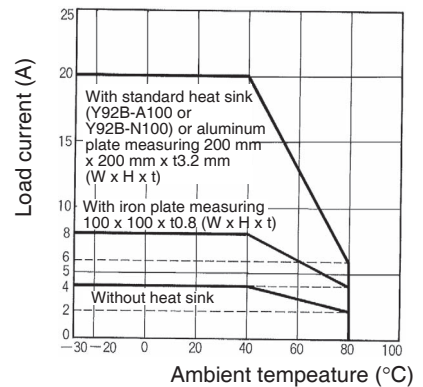
G3NA-205B-UTU



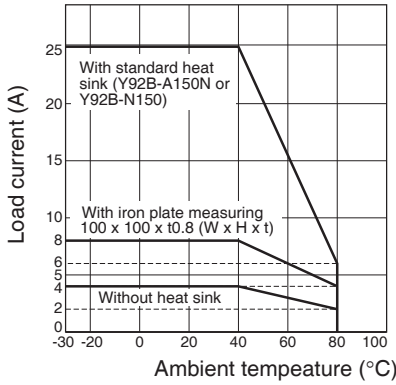
G3NA-210B-UTU
G3NA-410B-UTU



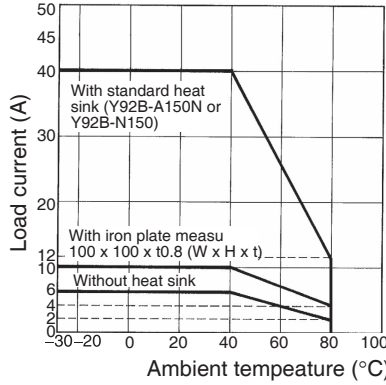
G3NA-220B-UTU
G3NA-420B-UTU



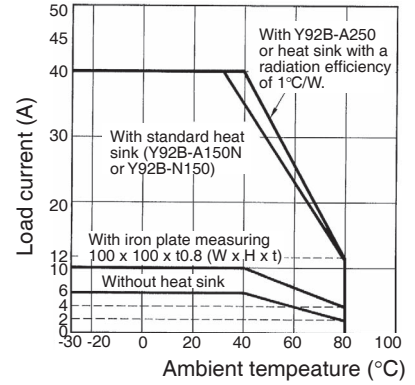
G3NA-225B-UTU
G3NA-425B-UTU-2



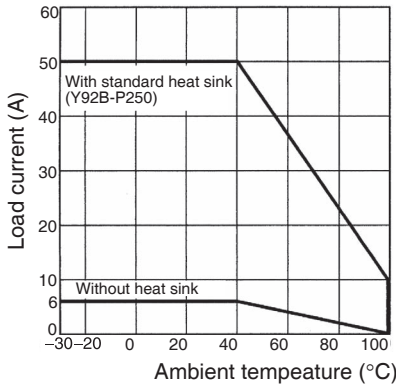
G3NA-240B-UTU



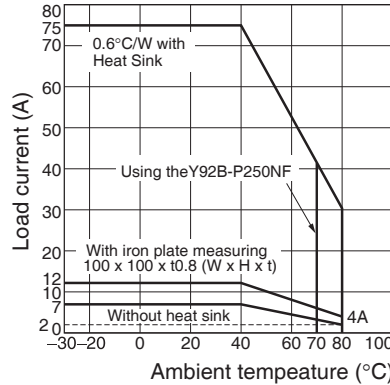
G3NA-440B-UTU-2



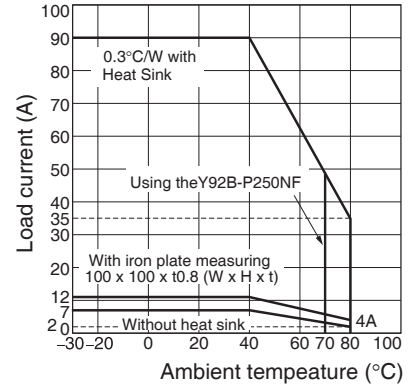
G3NA-250B-UTU
G3NA-450B-UTU-2



G3NA-275B-UTU-2
G3NA-475B-UTU-2

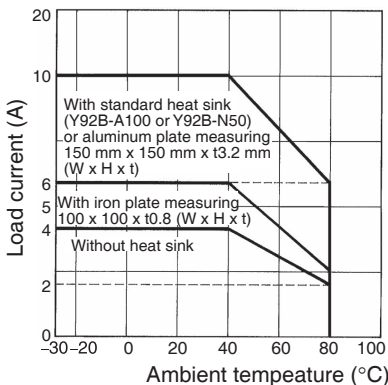


G3NA-290B-UTU-2
G3NA-490B-UTU-2



Note: The ambient operating temperature of the Y92B-P250NF is -30 to 70°C. Be sure the operating temperature is within this range.

G3NA-D210B-UTU



G3NA

Thermal Resistance Rth (Back of Junction SSR) (Examples)

| Model | Rth (°C/W) |
|-----------------|------------|
| G3NA-205B-UTU | 3.22 |
| G3NA-210B-UTU | 2.62 |
| G3NA-220B-UTU | 1.99 |
| G3NA-225B-UTU | |
| G3NA-240B-UTU | 0.45 |
| G3NA-250B-UTU | |
| G3NA-275B-UTU | |
| G3NA-290B-UTU | |
| G3NA-410B-UTU | |
| G3NA-420B-UTU | |
| G3NA-425B-UTU-2 | |
| G3NA-440B-UTU-2 | |
| G3NA-450B-UTU-2 | |
| G3NA-475B-UTU | |
| G3NA-490B-UTU | |
| G3NA-D210B-UTU | 2.62 |

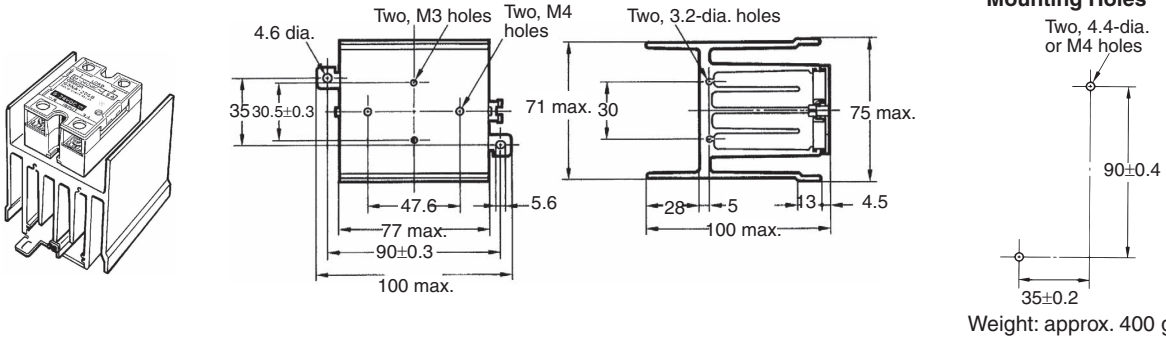
Thermal Resistance Rth of Heat Sinks (Examples)

| Model | Rth (°C/W) |
|-------------|------------|
| Y92B-N50 | 2.8 |
| Y92B-N100 | 1.63 |
| Y92B-N150 | 1.38 |
| Y92B-A100 | 1.63 |
| Y92B-A150N | 1.37 |
| Y92B-A250 | 1.00 |
| Y92B-P250 | 0.70 |
| Y92B-P250NF | 0.46 |

Note: When using a commercially available heat sink, use one with a thermal resistance equal to or less than the OMRON Heat Sink.

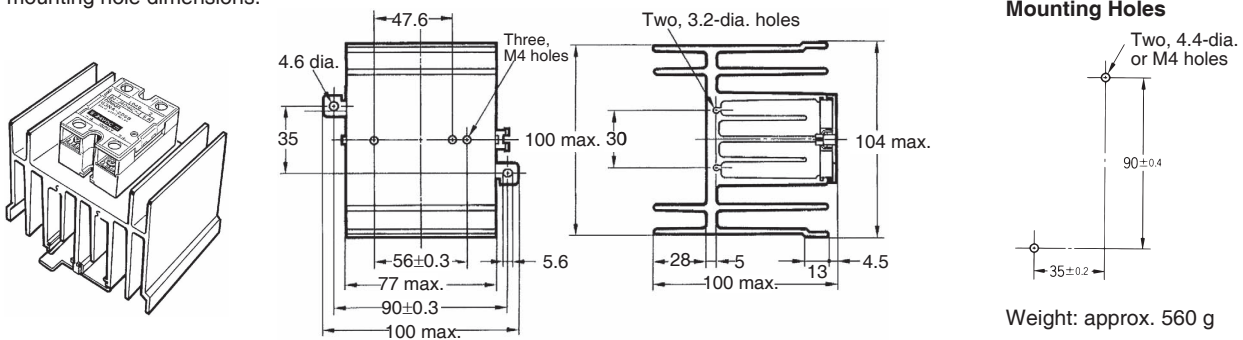
Y92B-N100 Heat Sink (for the G3NA-220B-UTU, G3NA-420B-UTU, G3NE-220T(L)-US)

For surface mounting, a 30% derating of the load current is required (from the *Load Current vs. Ambient Temperature* graphs). The orientation indicated by the external dimensions is not the correct mounting orientation. When opening mounting holes, refer to the mounting hole dimensions.



Y92B-N150 Heat Sink (for the G3NA-225B-UTU, G3NA-240B-UTU, G3NA-425B-UTU-2, G3NA-440B-UTU-2)

For surface mounting, a 30% derating of the load current is required (from the *Load Current vs. Ambient Temperature* graphs). The orientation indicated by the external dimensions is not the correct mounting orientation. When opening mounting holes, refer to the mounting hole dimensions.



Y92B-P250NF Heat Sink (for the G3NA-275B-UTU-2, G3NA-475B-UTU-2, G3NA-290B-UTU-2, G3NA-490B-UTU-2)

For mounting method, refer to "Precautions for Correct Use".

