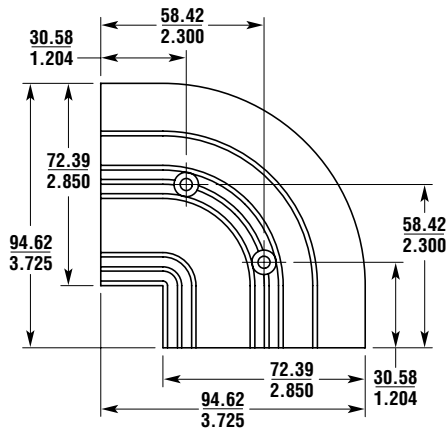


Trim Dimensions

(mm/in.)

Outside Molded Corner Trim

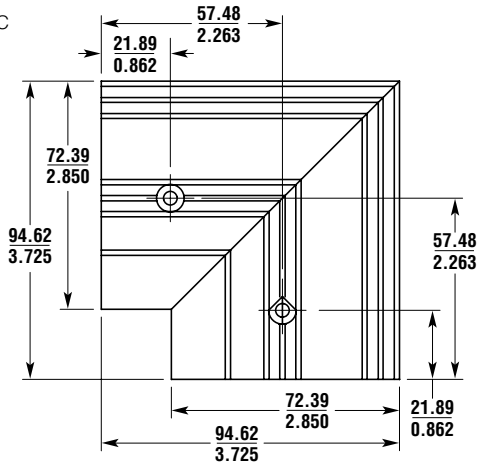
Model UMOC



Molded Outside Corner: PN 25836

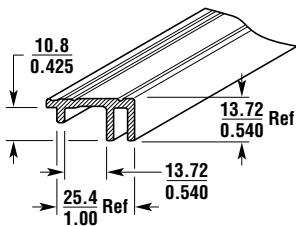
Inside Molded Corner Trim

Model UMIC



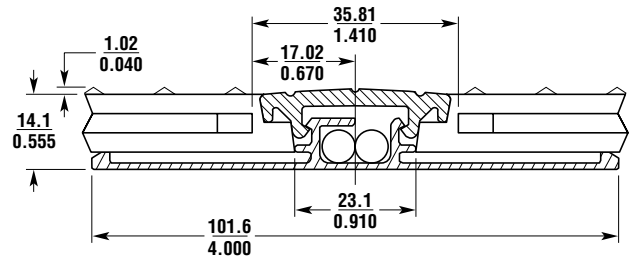
Molded Inside Corner: PN 25837

Blunt Trim



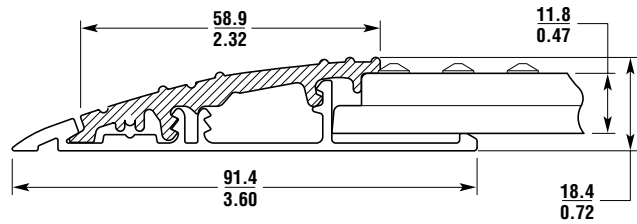
Blunt Trim: PN 43223-0096

2-Part Joining Trim (Base and Cover)



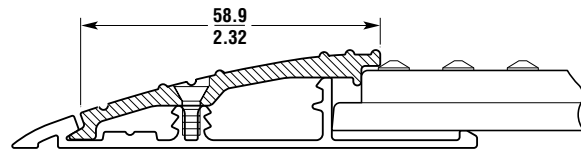
2-Part Joining Trim: PN 43222-0096
 Joining Trim Aluminum Base: PN 32592
 Joining Trim Cover Black: PN 32591
 Joining Trim Cover Yellow: PN 32591-0010

2-Part Ramp Trim with PVC Cover (TKM)



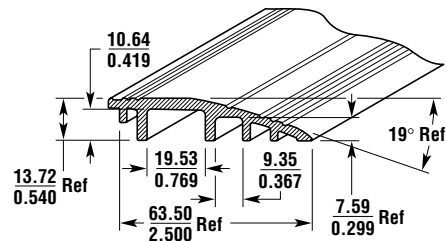
Aluminum Base & PVC Cover: PN 43123-0096
 Aluminum Base: PN 32667
 PVC Cover: PN 32668

2-Part Ramp Trim with Aluminum Cover (TKAT)



Aluminum Base & Aluminum Cover: PN 43123-1096
 Aluminum Base: PN 32667
 Aluminum Cover: PN 26441

Aluminum Single Part Ramp Trim (TKA)



Aluminum Ramp Trim: PN 43224-0096

Select models are available for Rapid Delivery.

Visit this product on www.sti.com for details.



www.sti.com/info



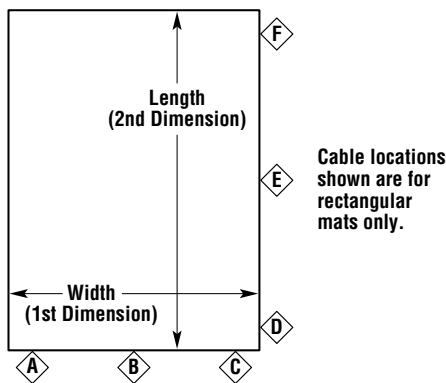
Buy: www.ValinOnline.com | Phone 844-385-3099 | Email: CustomerService@valin.com

Ordering (continued)

⑥ Information required. Represents cable location. See diagram below.

Cable Location	Description
A	Bottom left corner of first mat dimension, 2 in. from top surface of the left edge to center of cable exit
B	Bottom center of first mat dimension
C	Bottom right corner of first mat dimension, 2 in. from top surface of the right edge to center of cable exit
D	Bottom right corner of second mat dimension, 2 in. from top surface of the bottom edge to center of cable exit
E	Center of second mat dimension
F	Top right corner of second mat dimension, 2 in. from top surface of the top edge to center of cable exit

Notes: Mats with both dimensions equal will only have "A", "B", and "C" cable locations available.



Ordering Perimeter Trim for a Single Mat**

To order Perimeter Trim for a single mat, simply fill in the fields in the model number sequence given below.

Standard Perimeter Trim Ordering Code:

___ - ___ - ___ - ___
7 2 3 6

Example: TKM-1266-E

This example is a trim kit with mitered corners to fit a 12 x 66 in. standard mat with cable coming out at location E.

Metric Perimeter Trim Ordering Code:

___ - ___ - ___ - ___
7 4 5 6

Example: MTKM-0500-0500-E

This example is a trim kit with mitered corners to fit a 500 x 500 mm metric quick disconnect mat with cable coming out at location E.

⑦ Information required. Represents the corner style used on the trim kits.

Designator	Description
TKM	Standard trim kit, 2-part mitered corners with PVC top cover
TKAT	Standard trim kit, 2-part mitered corners with aluminum top cover
TKC	Standard trim kit, 2-part with molded corners with PVC top cover
TKA	Standard trim kit, single part aluminum ramp trim (mitered only)
MTKM	Metric trim kit with mitered corners
MTKC	Metric trim kit with molded corners

MTKAT is available upon request.

F

Accessories for Standard and Metric Sized Mats

Model Number	Description	Weight
UMRT4	Bulk two-part ramp trim with yellow PVC cover 1.22 m (48 in.) length	1.5 kg (3.3 lb.)
UMRT8	Bulk two-part ramp trim with yellow PVC cover 2.44 m (96 in.) length	3.0 kg (6.6 lb.)
UMRT8A	Bulk two-part ramp trim with aluminum top 2.44 m (96 in.) length	3.2 kg (7.0 lb.)
UMJS4	Bulk two-part active joining trim 1.22 m (48 in.) length	1.4 kg (3.0 lb.)
UMJS8	Bulk two-part active joining trim 2.44 m (96 in.) length	2.7 kg (6.0 lb.)
UMJTC8Y	Bulk joining trim cover yellow 2.44 m (96 in.)	0.5 kg (1.0 lb.)
UMBT4	Bulk blunt trim 1.22 m (48 in.) length	1.1 kg (2.5 lb.)
UMBT8	Bulk blunt trim 2.44 m (96 in.) length	2.3 kg (5.0 lb.)
UMAL	Bulk aluminum ramp trim 2.44 m (96 in.)	2.9 kg (6.5 lb.)
UMOC	Molded outside corner	
UMIC	Molded inside corner	
UMDB-6	Universal Safety Mat distribution box with 6 mat input connectors and one output connection to the controller	
UMEC-03	3 m (9 ft.) extension cable for mat or UMDB-6	
UMEC-05	5 m (16 ft.) extension cable for mat or UMDB-6	
UMEC-10	10 m (32 ft.) extension cable for mat or UMDB-6	
UMEC-15	15 m (49 ft.) extension cable for mat or UMDB-6	
UMPMC	Panel-mount connector. Allows the controller to accept quick disconnect cable from UM series mats.	
UM4PRC	4-pin male QD field replacement connector for mat cables	
UM-Y-2-1	"Y" connector, internally connected to allow 2 mats to 1 input to controller or connector	
UMQ5	5 m quick-disconnect cable	
UMQ10	10 m quick-disconnect cable	

For specifications and dimensions on the MC Controllers, see page F-12

For details on ordering a custom safety mat, see page F-9

For details on ordering a trim kit for a multiple configuration mat, please consult Omron.

Select models are available for Rapid Delivery.

Visit this product on www.sti.com for details.



www.sti.com/info



Buy: www.ValinOnline.com | Phone 844-385-3099 | Email: CustomerService@valin.com