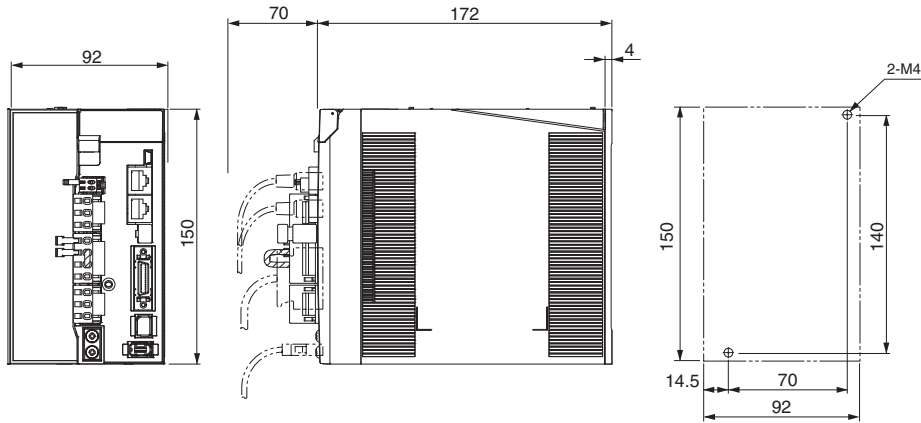
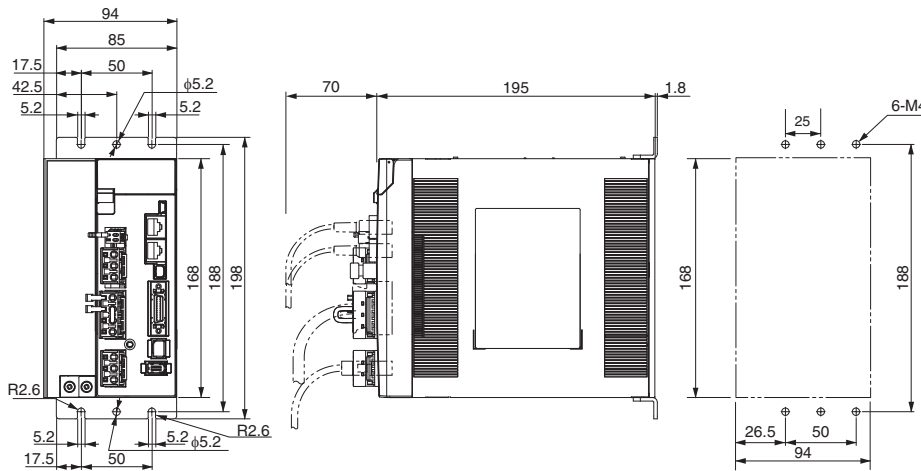


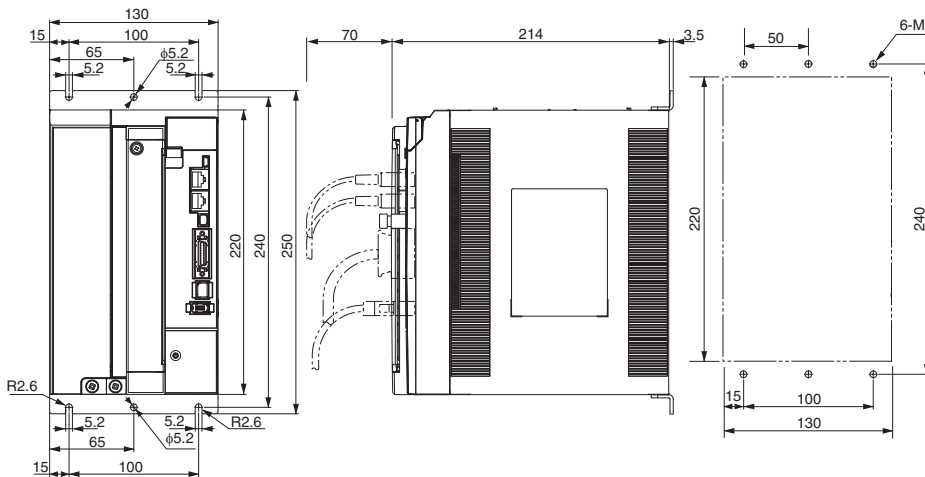
## R88D-KN06F/10F/15F-ECT-L (400 V, 600 W to 1.5 kW)



## R88D-KN20F-ECT-L (400 V, 2 kW)

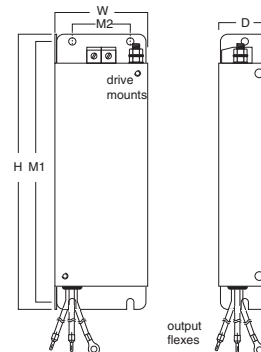


## R88D-KN30F-ECT-L (400V, 3 kW)



### Filters

Filter model	External dimensions			Mount dimensions	
	H	W	D	M1	M2
R88A-FIK102-RE	190	42	44	180	20
R88A-FIK104-RE	190	57	30	180	30
R88A-FIK107-RE	190	64	35	180	40
R88A-FIK114-RE	190	86	35	180	60
R88A-FIK304-RE	196	92	40	186	70
R88A-FIK306-RE	238	94	40	228	70
R88A-FIK312-RE	291	130	40	278	100



## External encoder cable (CN4)

Symbol	Name		Model
⑧	External encoder cable	5 m	R88A-CRKM005SR-E
		10 m	R88A-CRKM010SR-E
		20 m	R88A-CRKM020SR-E

## Analog monitor (CN5)

Symbol	Name		Model
⑨	Analog monitor cable	1 m	R88A-CMK001S

## USB personal computer cable (CN7)

Symbol	Name		Model
⑩	USB mini-connector cable	2 m	AX-CUSBM002-E

## Cable for safety (CN8)

Symbol	Name		Model
⑪	Safety cable	3 m	R88A-CSK003S-E

## Machine controller

Symbol	Name		Model
⑫	IPC machine controller	Industrial box PC type	NY512-□
		Industrial panel PC type	NY532-□
	NX7 series	CPU unit	NX701-□
		Power supply unit	NX-PA9001 (220 VAC) NX-PD7001 (24 VDC)
	NJ series	CPU unit	NJ501-□
			NJ301-□ NJ101-□
		Power supply unit	NJ-PA3001 (220 VAC) NJ-PD3001 (24 VDC)
	NX1 series	CPU unit	NX1P2-□

## External regenerative resistor

Symbol	Regenerative resistor unit model	Specifications
⑬	R88A-RR08050S	50 Ω, 80 W
	R88A-RR080100S	100 Ω, 80 W
	R88A-RR22047S	47 Ω, 220 W
	R88A-RR50020S	20 Ω, 500 W

## Filters

Symbol	Applicable servodrive	Filter model	Manufacturer	Rated current	Leakage current	Rated voltage
⑭	R88D-KN02H-ECT-L	R88A-FIK102-RE	Rasmi Electronics Ltd.	2.4 A	3.5 mA	250 VAC single-phase
	R88D-KN04H-ECT-L	R88A-FIK104-RE		4.1 A	3.5 mA	
	R88D-KN08H-ECT-L	R88A-FIK107-RE		6.6 A	3.5 mA	
	R88D-KN10H-ECT-L, R88D-KN15H-ECT-L	R88A-FIK114-RE		14.2 A	3.5 mA	
	R88D-KN06F-ECT-L, R88D-KN10F-ECT-L, R88D-KN15F-ECT-L	R88A-FIK304-RE	4 A	0.3 mA/32 mA <sup>*1</sup>	400 VAC three-phase	
	R88D-KN20F-ECT-L	R88A-FIK306-RE	6 A	0.3 mA/32 mA <sup>*1</sup>		
	R88D-KN30F-ECT-L	R88A-FIK312-RE	12.1 A	0.3 mA/32 mA <sup>*1</sup>		

\*1 Momentary peak leakage current for the filter at switch-on/off.

## Connectors

Specifications	Model
External encoder connector (for CN4)	R88A-CNK41L
Safety I/O signal connector (for CN8)	R88A-CNK81S

## Computer software

Specifications	Model
Sysmac Studio version 1.0 or higher	SYSMAC-SE2□□□□
CX-Drive version 2.60 or higher	CX-DRIVE 2.60

**Note:** If CX-One is installed on the same computer as Sysmac Studio, it must be CX-One v4.2 or higher

ALL DIMENSIONS SHOWN ARE IN MILLIMETERS.  
To convert millimeters into inches, multiply by 0.03937. To convert grams into ounces, multiply by 0.03527.