

60/90/120/180/240/480-W Models

Improved Versions of Standard-type Power Supplies without Indication Monitor (60 to 240 W). EMI Class B Compliant.



- New 90-W models that conform to UL Class 2 standards.
- New models with screwless terminal blocks and without indication monitor (except that 480-W models have an indication monitor).
- Status displayed on 3-digit, 7-segment display.
- Safety standards:
UL508/60950-1,
CSA C22.2 No. 14/60950-1
(15-W, 30-W, 60-W to 240-W models with Indication monitor),
CSA C22.2 No. 107.1/60950-1
(60-W to 240-W standard, 480-W models),
EN 50178 (= VDE0160),
EN 60950-1 (= VDE0805 Teil 1)
- Compact: 150 × 115 × 127.2 mm (W × H × D) (480-W models).

15/30-W Models

Compact, Thin Power Supplies That Mount Just About Anywhere to Contribute to Control Panel Downsizing



- Compact and thin: 22.5 × 85 × 96.5 mm (W × H × D).
- Three mounting directions (standard, horizontal, facing horizontal).
- Mounting directly to the panel is possible.
- Safety standards:
UL508/60950-1/1604, cUL: CSA C22.2 No. 14/60950-1/213,
EN50178 (= VDE0160), EN60950-1 (= VDE0805 Teil 1).

Features Common to All Models

- Mount to DIN Rail.
- Complies with SEMI F47-0200 (200-VAC input).
- RoHS-compliant.

* Refer to *Safety Precautions* on page 29.

Model Number Structure

Model Number Legend

Note: Not all combinations are possible. Refer to *List of Models in Ordering Information*, below.

S8VS- **-**

1 2 3 4 5 6

1. Power Ratings

015: 15 W
 030: 30 W
 060: 60 W
 090: 90 W
 120: 120 W
 180: 180 W
 240: 240 W
 480: 480 W

2. Output voltage

05: 5 V
 12: 12 V
 24: 24 V

3. Indication monitor

None: Without indication monitor (standard model)
 A: With indication monitor (maintenance forecast monitor)
 B: With indication monitor (total run time monitor)

4. Alarm output

None: Sinking *
 P: Sourcing

Note: No alarm output possible with 60-W models.

* Both sinking and sourcing outputs are available for 480-W models.

5. UL Class 2 Standards

None: Does not conform. *
 S: Conforms.

* 15-W, 30-W, and 60-W models conform to Class 2 standards.

6. Terminal Block Form

None: Screw terminal block
 F: Screwless terminal block

Ordering Information

List of Models

Note: For details on normal stock models, contact your nearest OMRON representative.

Models without Indication Monitor (Standard Models)

Power ratings	Input voltage	Output voltage	Output current	Model number (screw terminal block)	Model number (screwless terminal block)
15 W	100 to 240 VAC	5 V	2.0 A	S8VS-01505 *1	---
		12 V	1.2 A	S8VS-01512	
		24 V	0.65 A	S8VS-01524	
30 W		5 V	4.0 A	S8VS-03005 *2	
		12 V	2.5 A	S8VS-03012	
		24 V	1.3 A	S8VS-03024	
60 W		24 V	2.5 A	S8VS-06024	S8VS-06024-F
90 W				3.75 A	S8VS-09024
			S8VS-09024S		S8VS-09024S-F
120 W			5 A	S8VS-12024	S8VS-12024-F
180 W			7.5 A	S8VS-18024	S8VS-18024-F
240 W			10 A	S8VS-24024	S8VS-24024-F
480 W	20 A Peak current 30 A (200 VAC)		S8VS-48024	S8VS-48024-F	

*1. The output capacity of the S8VS-01505 is 10 W.

*2. The output capacity of the S8VS-03005 is 20 W.

Models with Indication Monitor (Maintenance Forecast Monitor)

Power ratings	Input voltage	Output voltage	Output current	Alarm output	Model number (screw terminal block)	Model number (screwless terminal block)
60 W	100 to 240 VAC	24 V	2.5 A	---	S8VS-06024A	---
90 W				Sinking	S8VS-09024A	
			Sourcing	S8VS-09024AP		
120 W			5 A	Sinking	S8VS-12024A	
				Sourcing	S8VS-12024AP	
180 W			7.5 A	Sinking	S8VS-18024A	
				Sourcing	S8VS-18024AP	
240 W			10 A	Sinking	S8VS-24024A	
				Sourcing	S8VS-24024AP	
480 W			20 A Peak current 30 A (200 VAC)	Sinking/ sourcing	S8VS-48024A	

Models with Indication Monitor (Total Run Time Monitor)

Power ratings	Input voltage	Output voltage	Output current	Alarm output	Model number (screw terminal block)	Model number (screwless terminal block)
60 W	100 to 240 VAC	24 V	2.5 A	---	S8VS-06024B	---
90 W				Sinking	S8VS-09024B	
			Sourcing	S8VS-09024BP		
120 W			5 A	Sinking	S8VS-12024B	
				Sourcing	S8VS-12024BP	
180 W			7.5 A	Sinking	S8VS-18024B	
				Sourcing	S8VS-18024BP	
240 W			10 A	Sinking	S8VS-24024B	
				Sourcing	S8VS-24024BP	
480 W			20 A Peak current 30 A (200 VAC)	Sinking/ sourcing	S8VS-48024B	

Note: Refer to pages 27 to 28 for the options that available.

Specifications

Ratings/Characteristics

Item	Power ratings		15 W	30 W	
	Type		Standard	Standard	
Efficiency (typical)	5-V models		72% min.	70% min.	
	12-V models		74% min.	76% min.	
	24-V models		77% min.	80% min.	
Input	Voltage *1		100 to 240 VAC (85 to 264 VAC)		
	Frequency *1		50/60 Hz (47 to 450 Hz)		
	Current	100-V input		0.45 A max.	0.9 A max.
		200-V input		0.25 A max.	0.6 A max.
	Power factor		---		
	Harmonic current emissions		Conforms to EN61000-3-2		
	Leakage current	100-V input		0.5 mA max.	
		200-V input		1.0 mA max.	
Inrush current *2	100-V input		25 A max. (for a cold start at 25°C)		
	200-V input		50 A max. (for a cold start at 25°C)		
Output	Voltage adjustment range *3		-10% to 15% (with V.ADJ)		
	Ripple		2.0% (p-p) max. (at rated input/output voltage)		
	Input variation influence		0.5% max. (at 85- to 264-VAC input, 100% load)		
	Load variation influence (rated input voltage)		2.0% max. (5 V), 1.5% max. (12 V, 24 V), (with rated input, 0 to 100% load)		
	Temperature variation influence		0.05%/°C max.		
	Startup time *2		100 ms max. (at rated input/output voltage)	1,000 ms max. (at rated input/output voltage)	
	Hold time *2		20 ms min. (at rated input/output voltage)		
Additional functions	Overload protection *2		105% to 160% of rated load current, voltage drop, automatic reset	105% to 160% of rated load current, voltage drop, intermittent operation, automatic reset	
	Overvoltage protection *2		Yes (a zener diode clamp) *4	Yes *5	
	Output voltage indication		No		
	Output current indication		No		
	Peak-hold current indication		No		
	Maintenance forecast monitor indication		No		
	Maintenance forecast monitor output		No		
	Total run time monitor indication		No		
	Total run time monitor output		No		
	Undervoltage alarm indication		Yes (color: red)		
	Undervoltage alarm output		No		
	Parallel operation		No		
	Series operation		Models with 24-V output: Possible for up to 2 Power Supplies (with external diode) Models with 5- or 12-V output: Not possible		
Other	Operating ambient temperature		Refer to the derating curve in <i>Engineering Data (15-W, 30-W Models)</i> . (with no icing or condensation)		
	Storage temperature		-25 to 65°C		
	Operating ambient humidity		25% to 85% (Storage humidity: 25% to 90%)		
	Dielectric strength			3.0 kVAC for 1 min. (between all inputs and outputs; detection current: 20 mA)	
				2.0 kVAC for 1 min. (between all inputs and PE terminals; detection current: 20 mA)	
				1.0 kVAC for 1 min. (between all outputs and PE terminals; detection current: 20 mA)	
	Insulation resistance		100 MΩ min. (between all outputs and all inputs/ PE terminals) at 500 VDC		
	Vibration resistance		10 to 55 Hz, 0.375-mm single amplitude for 2 h each in X, Y, and Z directions		
	Shock resistance		150 m/s ² , 3 times each in ±X, ±Y, and ±Z directions		
	Output indicator		Yes (color: green)		
	EMI	Conducted Emissions		Conforms to EN61204-3 EN55011 Class B and based on FCC Class A	
		Radiated Emissions		Conforms to EN61204-3 EN55011 Class B	
	EMS		Conforms to EN61204-3 high severity levels		
Approved standards		UL: UL508 (Listing; Class 2: Per UL1310), UL60950-1, UL1604 (Class I/Division2) cUL: CSA C22.2 No.14 (Class 2), No.60950-1, No.213 (Class I/Division2) EN/VDE: EN50178 (=VDE0160), EN60950-1 (SELV) (=VDE0805 Teil 1) According to VDE0106/P100, IP20 (except terminal block)			
SEMI		F47-0200 (200-VAC input)			
Weight		160 g max.	180 g max.		

*1. Do not use an inverter output for the Power Supply. Inverters with an output frequency of 50/60 Hz are available, but the rise in the internal temperature of the Power Supply may result in ignition or burning.

*2. Refer to *Engineering Data (15-W, 30-W Models)* on page 12 for details.

*3. If the output voltage adjuster (V. ADJ) is turned, the voltage will increase by more than +15% of the voltage adjustment range. When adjusting the output voltage, confirm the actual output voltage from the Power Supply and be sure that the load is not damaged.

*4. The overvoltage protection of the S8VS-015□□ uses a zener diode clamp. If the internal feedback circuit is destroyed by any chance, the load may be destroyed by the clamped output voltage (approx. 140% to 190% of the rated output voltage).

*5. To reset the protection, turn OFF the input power for three minutes or longer and then turn it back ON.

Item	Power ratings		60 W			90 W			
	Type		Standard	Maintenance forecast monitor	Total run time monitor	Standard	Maintenance forecast monitor	Total run time monitor	
Efficiency (typical)			78% min.			80% min.			
Input	Voltage *1		100 to 240 VAC (85 to 264 VAC)						
	Frequency *1		50/60 Hz (47 to 450 Hz)						
	Current	100-V input	1.7 A max.			2.3 A max.			
		200-V input	1.0 A max.			1.4 A max.			
	Power factor		---						
	Harmonic current emissions		Conforms to EN61000-3-2						
	Leakage current	100-V input	0.5 mA max.						
200-V input		1.0 mA max.							
Inrush current *2	100-V input	25 A max. (for a cold start at 25°C)							
	200-V input	50 A max. (for a cold start at 25°C)							
Output	Voltage adjustment range *3		-10% to 15% (with V. ADJ)			The voltage cannot be adjusted for the S8VS-09024S-□.			
	Ripple		2.0% (p-p) max. (at rated input/output voltage)						
	Input variation influence		0.5% max. (at 85- to 264-VAC input, 100% load)						
	Load variation influence (rated input voltage)		1.5% max. (with rated input, 0 to 100% load)						
	Temperature variation influence		0.05%/°C max.						
	Startup time *2		1,000 ms max. (at rated input/output voltage)						
	Hold time *2		20 ms min. (at rated input/output voltage)						
Additional functions	Overload protection *2		105% to 160% of rated load current, voltage drop, intermittent, automatic reset						
	Overvoltage protection *2, *4		Yes						
	Output voltage indication *5		No	Yes (selectable) *6		No	Yes (selectable) *6		
	Output current indication *5		No	Yes (selectable) *7		No	Yes (selectable) *7		
	Peak-hold current indication *5		No	Yes (selectable) *8		No	Yes (selectable) *8		
	Maintenance forecast monitor indication *5		No	Yes (selectable)		No	Yes (selectable)		
	Maintenance forecast monitor output		No				Yes (transistor output), 30 VDC max., 50 mA max. *9		No
	Total run time monitor indication *5		No		Yes (selectable)		No		Yes (selectable)
	Total run time monitor output *5		No				Yes (transistor output), 30 VDC max., 50 mA max. *9		Yes (selectable)
	Undervoltage alarm indication *5		No	Yes (selectable)		No	Yes (selectable)		
	Undervoltage alarm output terminals		No				Yes (transistor output), 30 VDC max., 50 mA max. *9		
Parallel operation		No							
Series operation		Yes for up to 2 Power Supplies (with external diode)							
Other	Operating ambient temperature		Refer to the derating curve in <i>Engineering Data (60-W, 90-W, 120-W, 180-W, 240-W, and 480-W Models)</i> . (with no icing or condensation)						
	Storage temperature		-25 to 65°C						
	Operating ambient humidity		25% to 85% (Storage humidity: 25% to 90%)						
	Dielectric strength		3.0 kVAC for 1 min. (between all inputs and outputs/ alarm outputs; detection current: 20 mA) 2.0 kVAC for 1 min. (between all inputs and PE terminals; detection current: 20 mA) 1.0 kVAC for 1 min. (between all outputs/ alarm outputs and PE terminals; detection current for standard models: 30 mA, detection current for models with indication monitor: 20 mA) 500 VAC for 1 min. (between all outputs and alarm outputs; detection current: 20 mA)						
	Insulation resistance		100 MΩ min. (between all outputs/ alarm outputs and all inputs/ PE terminals) at 500 VDC						
	Vibration resistance		10 to 55 Hz, 0.375-mm single amplitude for 2 h each in X, Y, and Z directions 10 to 150 Hz, 0.35-mm single amplitude (5 G max.) for 80 min each in X, Y, and Z directions						
	Shock resistance		150 m/s ² , 3 times for 2 h each in ±X, ±Y, and ±Z directions						
	Output indicator		Yes (color: green)						
	EMI	Conducted Emissions	Models with indication monitor: Conforms to EN61204-3 EN55011 Class A and based on FCC Class A, Conforms to EN61204-3 EN55011 Class B *10 Standard models: Conforms to EN61204-3 EN55011 Group 1 Class B and based on FCC Class A						
		Radiated Emissions	Models with indication monitor: Conforms to EN61204-3 EN55011 Class A, Conforms to EN61204-3 EN55011 Class B *10 Standard models: Conforms to EN61204-3 EN55011 Group 1 Class B						
	EMS		Conforms to EN61204-3 high severity levels						
	Approved standards		UL for standard models: UL508 (Listing; Class 2; Per UL1310), UL60950-1 UL for models with indication monitor: UL508 (Listing; Class 2; Per UL1310), UL60950-1 cUL for standard models: CSA C22.2 No.107.1 (Class 2; Per CSA C22.2 No. 223) cUL for models with indication monitor: CSA C22.2 No. 14 (Class 2) cUR: CSA No.60950-1 EN/VDE: EN50178 (= VDE0160), EN60950-1 (SELV) (= VDE0805 Teil 1) According to VDE 0106/P100, IP20 (except terminal block)			UL for standard models: UL508 (Listing), UL60950-1 UL for standard models S8VS-09024S-□ only: UL508 (Listing, Class 2; Per UL1310), UL60950-1 UL for models with indication monitor: UL508 (Listing), UL60950-1 cUL for standard models: CSA C22.2 No.107.1 (Class 2; Per CSA C22.2 No. 223) cUL for models with indication monitor: CSA C22.2 No. 14 (Class 2; Per CSA C22.2 No. 223) cUR: CSA No.60950-1 EN/VDE: EN50178 (= VDE0160), EN60950-1 (SELV) (= VDE0805 Teil 1) According to VDE 0106/P100, IP20 (except terminal block)			
	SEMI		F47-0200 (200-VAC input)						
	Weight		330 g max.			490 g max.			

*1. Do not use an inverter output for the Power Supply. Inverters with an output frequency of 50/60 Hz are available, but the rise in the internal temperature of the Power Supply may result in ignition or burning.

*2. Refer to *Engineering Data (60-W, 90-W, 120-W, 180-W, 240-W, and 480-W Models)* on page 22 for details.

*3. If the output voltage adjuster (V. ADJ) is turned, the voltage will increase by more than +15% of the voltage adjustment range (by more than +10% for 240-W models with indication monitor). When adjusting the output voltage, confirm the actual output voltage from the Power Supply and be sure that the load is not damaged.

*4. To reset the protection, turn OFF the input power for three minutes or longer and then turn it back ON.

*5. Displayed on 7-segment LED. (character height: 8 mm)

*6. Resolution of output voltage indication: 0.1 V, Precision of output voltage indication: ±2% (percentage of output voltage value, ±1 digit)

*7. Resolution of output current indication: 0.1 A; Precision of output current indication: ±5% F.S. ±1 digit max. (specified by rated output voltage)

*8. Resolution of peak-hold current indication: 0.1 A; Precision of peak-hold current indication: ±5% F.S. ±1 digit max. (specified by rated output voltage); Signal width required for peak-hold current: 20 ms

*9. A Type and B Type: Sinking, AP Type and BP Type: Sourcing

*10. To ensure the emission rating, a ferrite ring core should be used in all cabling (TDK HF60T, HF70RH or equivalent model).

*11. To ensure the emission rating, a ferrite ring core should be used in all cabling (SEIWA E04SR301334 or equivalent model).

Item	Power ratings		120 W			180 W			
	Type		Standard	Maintenance forecast monitor	Total run time monitor	Standard	Maintenance forecast monitor	Total run time monitor	
Efficiency (typical)			80% min.						
Input	Voltage *1		100 to 240 VAC (85 to 264 VAC)						
	Frequency *1		50/60 Hz (47 to 63 Hz)						
	Current	100-V input	1.9 A max.			2.9 A max.			
		200-V input	1.1 A max.			1.6 A max.			
	Power factor		0.95 min.						
	Harmonic current emissions		Conforms to EN61000-3-2						
	Leakage current	100-V input	0.5 mA max.						
		200-V input	1.0 mA max.						
Inrush current *2	100-V input	25 A max. (for a cold start at 25°C)							
	200-V input	50 A max. (for a cold start at 25°C)							
Output	Voltage adjustment range *3		-10% to 15% (with V.ADJ)						
	Ripple		2.0% (p-p) max. (at rated input/output voltage)						
	Input variation influence		0.5% max. (at 85- to 264-VAC input, 100% load)						
	Load variation influence (rated input voltage)		1.5% max. (with rated input, 0 to 100% load)						
	Temperature variation influence		0.05%/°C max.						
	Startup time *2		1,000 ms max. (at rated input/output voltage)						
	Hold time *2		20 ms min. (at rated input/output voltage)						
	Additional functions	Overload protection *2		105% to 160% of rated load current, voltage drop, automatic reset					
Overvoltage protection *2, *4		Yes							
Output voltage indication *5		No	Yes (selectable) *6			No	Yes (selectable) *6		
Output current indication *5		No	Yes (selectable) *7			No	Yes (selectable) *7		
Peak-hold current indication *5		No	Yes (selectable) *8			No	Yes (selectable) *8		
Maintenance forecast monitor indication *5		No	Yes (selectable)			No	Yes (selectable)		
Maintenance forecast monitor output		No	Yes (transistor output), 30 VDC max., 50 mA max. *9			No	Yes (transistor output), 30 VDC max., 50 mA max. *9		
Total run time monitor indication *5		No	Yes (selectable)			No	Yes (selectable)		
Total run time monitor output *5		No	Yes (transistor output), 30 VDC max., 50 mA max. *9			No	Yes (transistor output), 30 VDC max., 50 mA max. *9		
Undervoltage alarm indication *5		No	Yes (selectable)			No	Yes (selectable)		
Undervoltage alarm output terminals		No	Yes (transistor output), 30 VDC max., 50 mA max. *9			No	Yes (transistor output), 30 VDC max., 50 mA max. *9		
Parallel operation		No							
Series operation		Yes for up to 2 Power Supplies (with external diode)							
Other	Operating ambient temperature		Refer to the derating curve in <i>Engineering Data (60-W, 90-W, 120-W, 180-W, 240-W, and 480-W Models)</i> . (with no icing or condensation)						
	Storage temperature		-25 to 65°C						
	Operating ambient humidity		25% to 85% (Storage humidity: 25% to 90%)						
	Dielectric strength		3.0 kVAC for 1 min. (between all inputs and outputs/ alarm outputs; detection current: 20 mA) 2.0 kVAC for 1 min. (between all inputs and PE terminals; detection current: 20 mA) 1.0 kVAC for 1 min. (between all outputs/ alarm outputs and PE terminals; detection current for standard models: 30 mA, detection current for models with indication monitor: 20 mA) 500 VAC for 1 min. (between all outputs and alarm outputs; detection current: 20 mA)						
	Insulation resistance		100 MΩ min. (between all outputs/ alarm outputs and all inputs/ PE terminals) at 500 VDC						
	Vibration resistance		10 to 55 Hz, 0.375-mm single amplitude for 2 h each in X, Y, and Z directions 10 to 150 Hz, 0.35-mm single amplitude (5 G max.) for 80 min each in X, Y, and Z directions						
	Shock resistance		150 m/s ² , 3 times for 2 h each in ±X, ±Y, and ±Z directions						
	Output indicator		Yes (color: green)						
	EMI	Conducted Emissions	Models with indication monitor: Conforms to EN61204-3 EN55011 Class A and based on FCC Class A, Conforms to EN61204-3 EN55011 Class B *10 Standard models: Conforms to EN61204-3 EN55011 Group 1 Class B and based on FCC Class A						
		Radiated Emissions	Models with indication monitor: Conforms to EN61204-3 EN55011 Class A, Conforms to EN61204-3 EN55011 Class B *10 Standard models: Conforms to EN61204-3 EN55011 Group 1 Class B						
	EMS		Conforms to EN61204-3 high severity levels						
	Approved standards		UL: UL508 (Listing), UL60950-1 cUL for standard models: CSA C22.2 No. 107.1 cUL for models with indication monitor: CSA C22.2 No.14 cUR: CSA No. 60950-1 EN/VDE: EN50178 (= VDE0160), EN60950-1 (SELV) (= VDE0805 Teil 1) According to VDE0106/P100, IP20 (except terminal block)						
	SEMI		F47-0200 (200-VAC input)						
Weight		550 g max.			850 g max.				

Note: Refer to page 5 for notes 1 to 11.

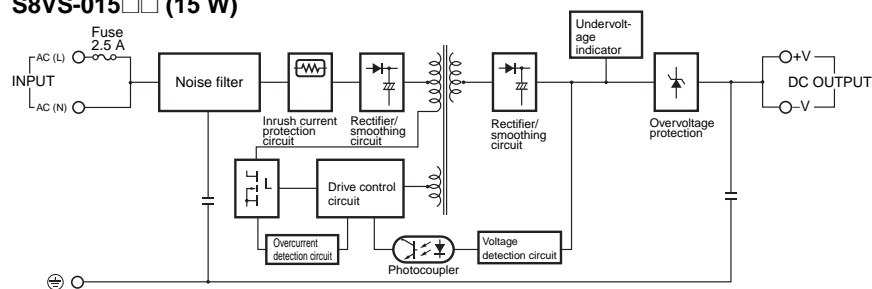
Item	Power ratings		240 W			480 W			
	Type		Standard	Maintenance forecast monitor	Total run time monitor	Standard	Maintenance forecast monitor	Total run time monitor	
Efficiency (typical)			80% min.			83% min.			
Input	Voltage *1		100 to 240 VAC (85 to 264 VAC)						
	Frequency *1		50/60 Hz (47 to 63 Hz)						
	Current	100-V input	3.8 A max.				7.4 A max.		
		200-V input	2.0 A max.				3.9 A max.		
	Power factor		0.95 min.						
	Harmonic current emissions		Conforms to EN61000-3-2						
	Leakage current	100-V input	0.5 mA max.						
		200-V input	1.0 mA max.						
Inrush current *2	100-V input	25 A max. (for a cold start at 25°C)							
	200-V input	50 A max. (for a cold start at 25°C)							
Output	Voltage adjustment range *3		Models with indication monitor: $\pm 10\%$ (with V.ADJ) Standard models: -10% to 15% (with V.ADJ)			-10% to 15% (with V.ADJ)			
	Ripple		2.0% (p-p) max. (at rated input/output voltage)						
	Input variation influence		0.5% max. (at 85- to 264-VAC input, 100% load)						
	Load variation influence (rated input voltage)		1.5% max. (with rated input, 0 to 100% load)						
	Temperature variation influence		0.05%/°C max.						
	Startup time *2		1,000 ms max. (at rated input/output voltage)						
	Hold time *2		20 ms min. (at rated input/output voltage)						
Additional functions	Overload protection *2		105% to 160% of rated load current, voltage drop, automatic reset						
	Overvoltage protection *2, *4		Yes						
	Output voltage indication *5		No	Yes (selectable) *6			No	Yes (selectable) *6	
	Output current indication *5		No	Yes (selectable) *7			No	Yes (selectable) *7	
	Peak-hold current indication *5		No	Yes (selectable) *8			No	Yes (selectable) *8	
	Maintenance forecast monitor indication *5		No	Yes (selectable)		No	Yes (selectable)		No
	Maintenance forecast monitor output		No	Yes (transistor output), 30 VDC max., 50 mA max. *9		No	Yes (transistor output), 30 VDC max., 50 mA max.		No
	Total run time monitor indication *5		No			Yes (selectable)	No	Yes (selectable)	
	Total run time monitor output *5		No			Yes (transistor output), 30 VDC max., 50 mA max. *9	No	Yes (transistor output), 30 VDC max., 50 mA max. *9	
	Undervoltage alarm indication *5		No	Yes (selectable)			No	Yes (selectable)	
	Undervoltage alarm output terminals		No	Yes (transistor output), 30 VDC max., 50 mA max. *9			No	Yes (transistor output), 30 VDC max., 50 mA max. *9	
	Parallel operation		No						
	Series operation		Yes for up to 2 Power Supplies (with external diode)						
	Other	Operating ambient temperature		Refer to the derating curve in <i>Engineering Data (60-W, 90-W, 120-W, 180-W, 240-W, and 480-W Models)</i> . (with no icing or condensation)					
Storage temperature		-25 to 65°C							
Operating ambient humidity		25% to 85% (Storage humidity: 25% to 90%)							
Dielectric strength		3.0 kVAC for 1 min. (between all inputs and outputs/ alarm outputs; detection current: 20 mA) 2.0 kVAC for 1 min. (between all inputs and PE terminals; detection current: 20 mA) 1.0 kVAC for 1 min. (between all outputs/ alarm outputs and PE terminals; detection current for standard 240-W and 480-W models: 30 mA, detection current for 240-W models with indication monitor: 20 mA) 500 VAC for 1 min. (between all outputs and alarm outputs; detection current: 20 mA)							
Insulation resistance		100 M Ω min. (between all outputs/ alarm outputs and all inputs/ PE terminals) at 500 VDC							
Vibration resistance		10 to 55 Hz, 0.375-mm single amplitude for 2 h each in X, Y, and Z directions 10 to 150 Hz, 0.35-mm single amplitude (5 G max.) for 80 min each in X, Y, and Z directions: 240 W 10 to 150 Hz, 0.35-mm single amplitude (3 G max.) for 80 min each in X, Y, and Z directions: 480 W							
Shock resistance		150 m/s ² , 3 times each in $\pm X$, $\pm Y$, and $\pm Z$ directions							
Output indicator		Yes (color: green)							
EMI		Conducted Emissions	Models with indication monitor: Conforms to EN61204-3 EN55011 Class A and based on FCC Class A, Conforms to EN61204-3 EN55011 Class B *10 Standard models: Conforms to EN61204-3 EN55011 Group 1 Class B and based on FCC Class A				Conforms to EN61204-3 EN55011 Class A and based on FCC Class A Conforms to EN61204-3 EN55011 Class B *11		
		Radiated Emissions	Models with indication monitor: Conforms to EN61204-3 EN55011 Class A, Conforms to EN61204-3 EN55011 Class B *10 Standard models: Conforms to EN61204-3 EN55011 Group 1 Class B and based on FCC Class A				Conforms to EN61204-3 EN55011 Class A Conforms to EN61204-3 EN55011 Class B *11		
EMS		Conforms to EN61204-3 high severity levels							
Approved standards		UL: UL508 (Listing), UL60950-1 cUL for 240-W models with indication monitor: CSA C22.2 No.14, cUL for 240-W standard models and 480-W models: CSA C22.2 No.107.1, cUR: CSA No. 60950-1, EN/VDE: EN50178 (=VDE0160), EN60950-1 (SELV) (=VDE0805 Teil 1) According to VDE0106/P100, IP20 (except terminal block)							
SEMI		F47-0200 (200-VAC input)							
Weight		1,150 g max.				1,700 g max.			

Note: Refer to page 5 for notes 1 to 11.

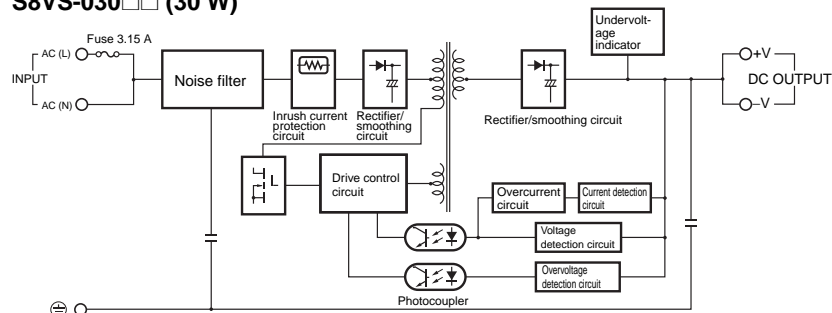
Connections

Block Diagrams

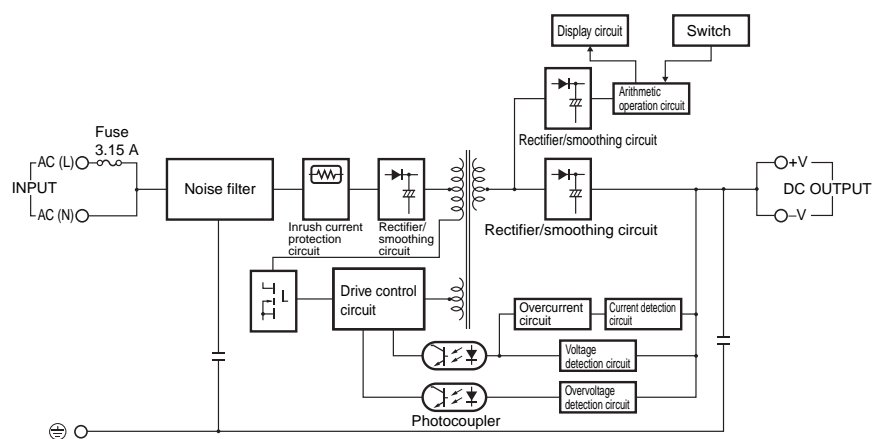
S8VS-015 (15 W)



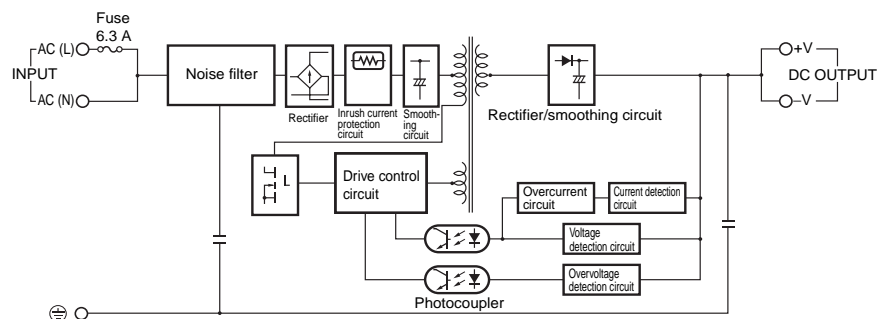
S8VS-030 (30 W)



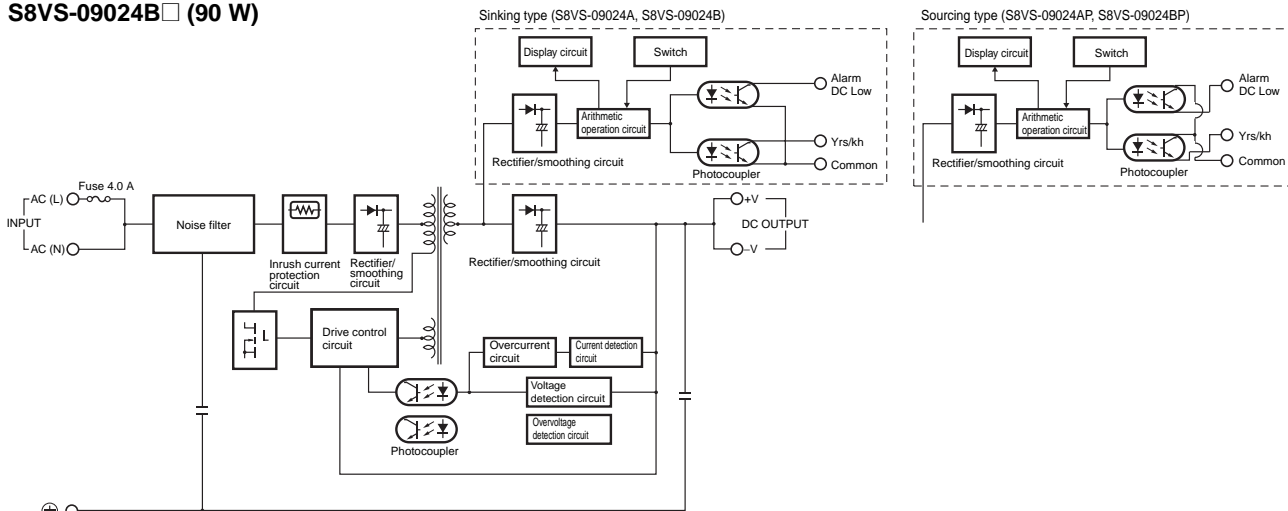
S8VS-06024A (60 W)
S8VS-06024B (60 W)



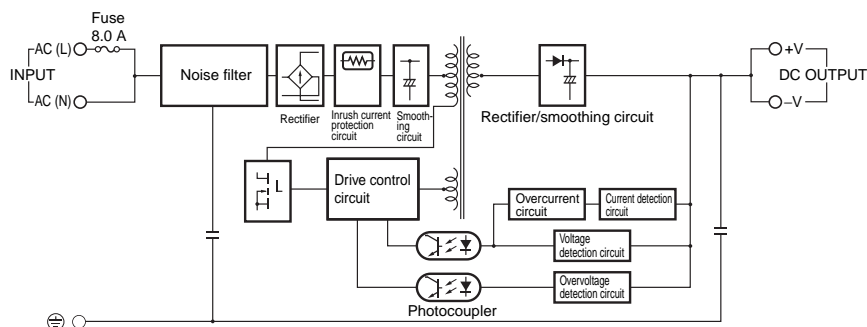
S8VS-06024 (60 W)



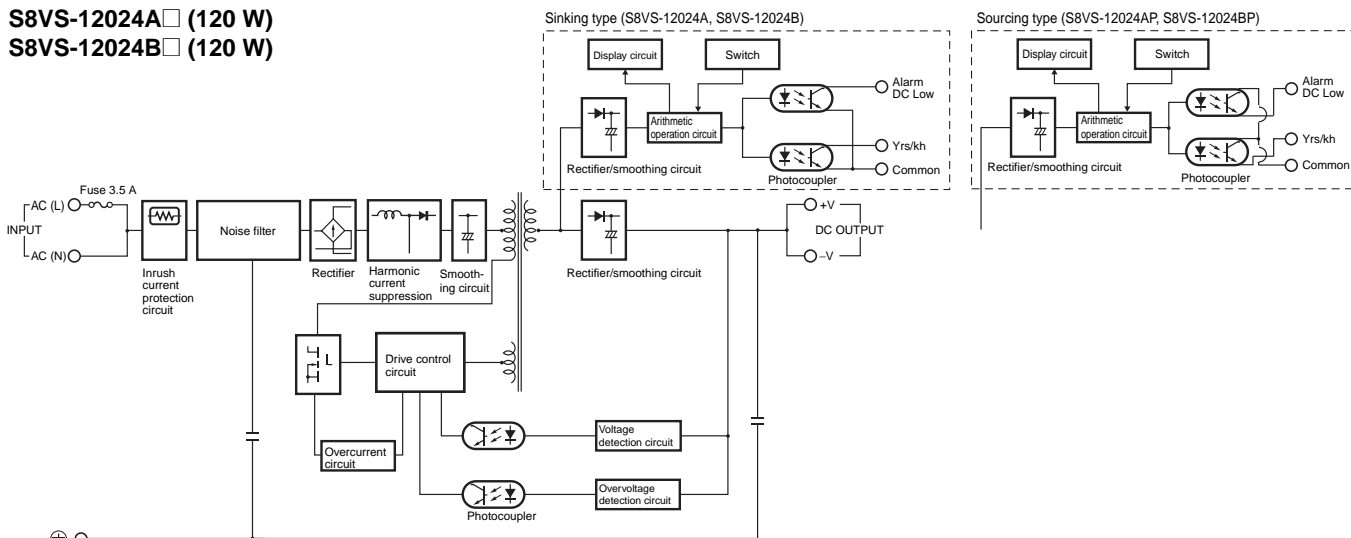
S8VS-09024A (90 W)
S8VS-09024B (90 W)



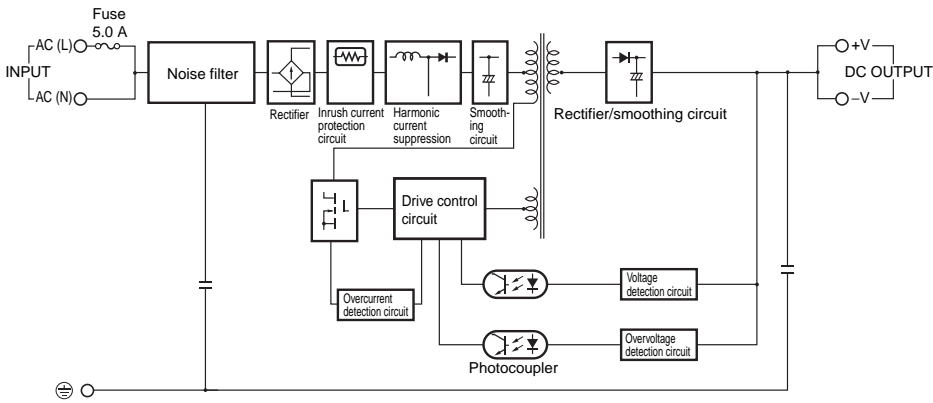
S8VS-09024 (90 W)
S8VS-09024S (90 W)



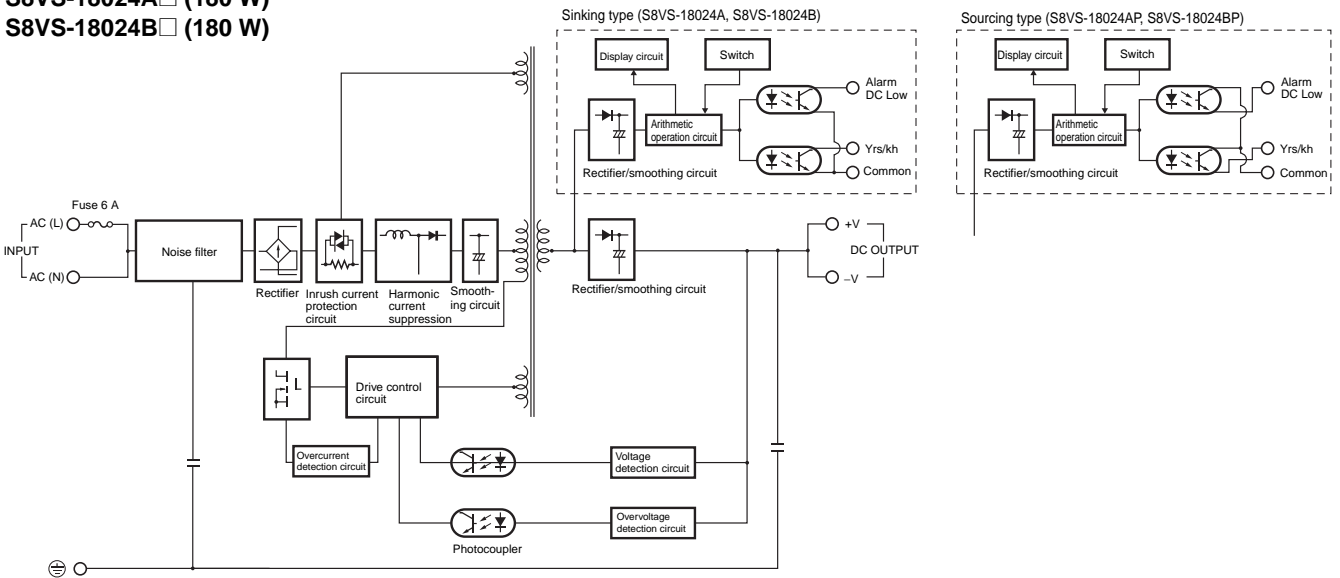
S8VS-12024A (120 W)
S8VS-12024B (120 W)



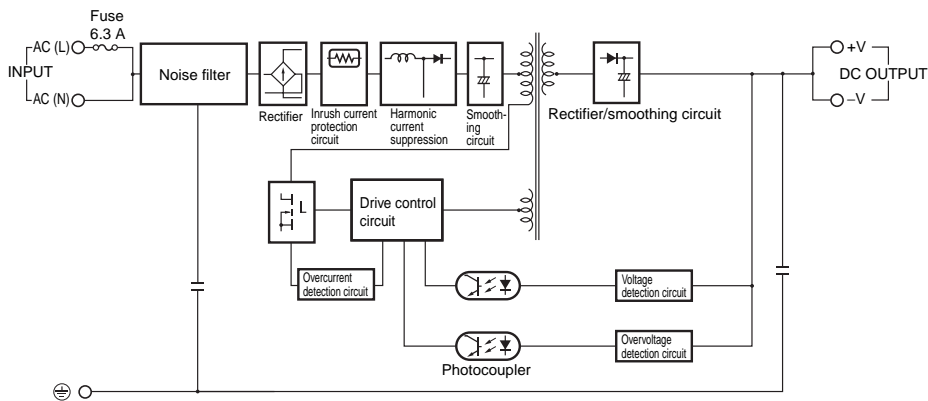
S8VS-12024-□ (120 W)



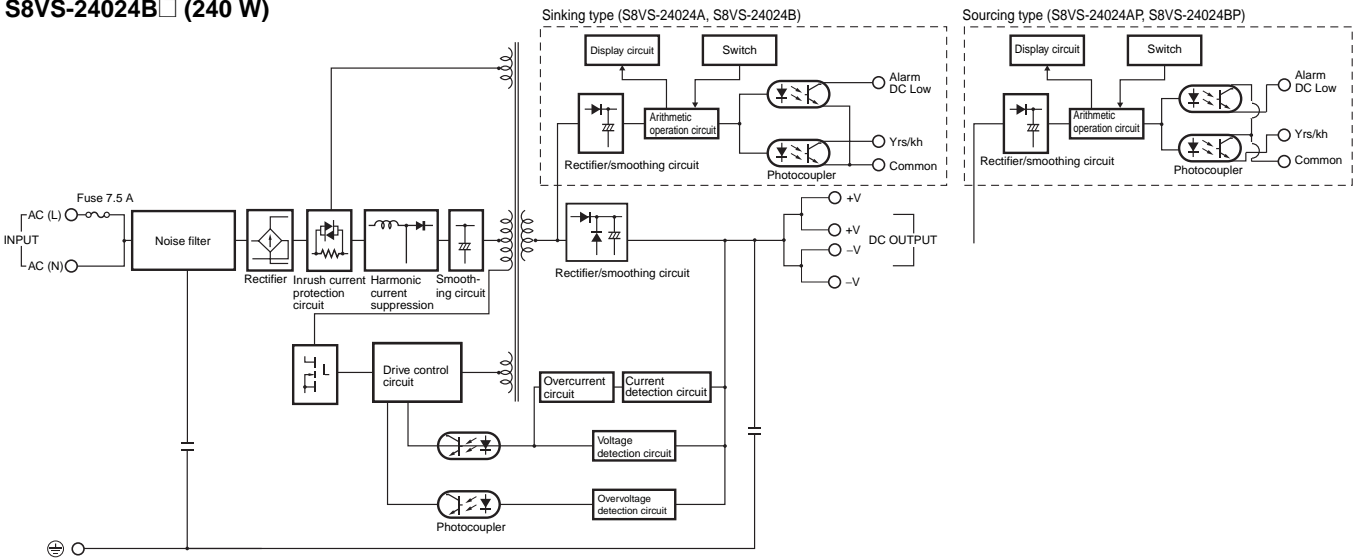
S8VS-18024A□ (180 W)
S8VS-18024B□ (180 W)



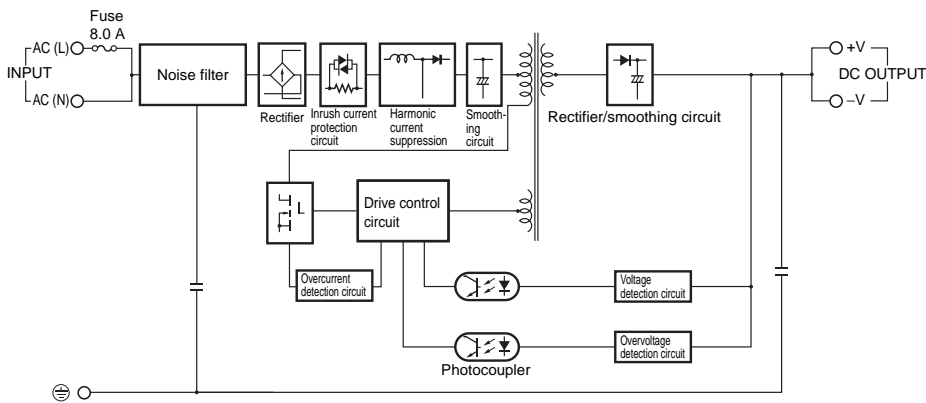
S8VS-18024-□ (180 W)



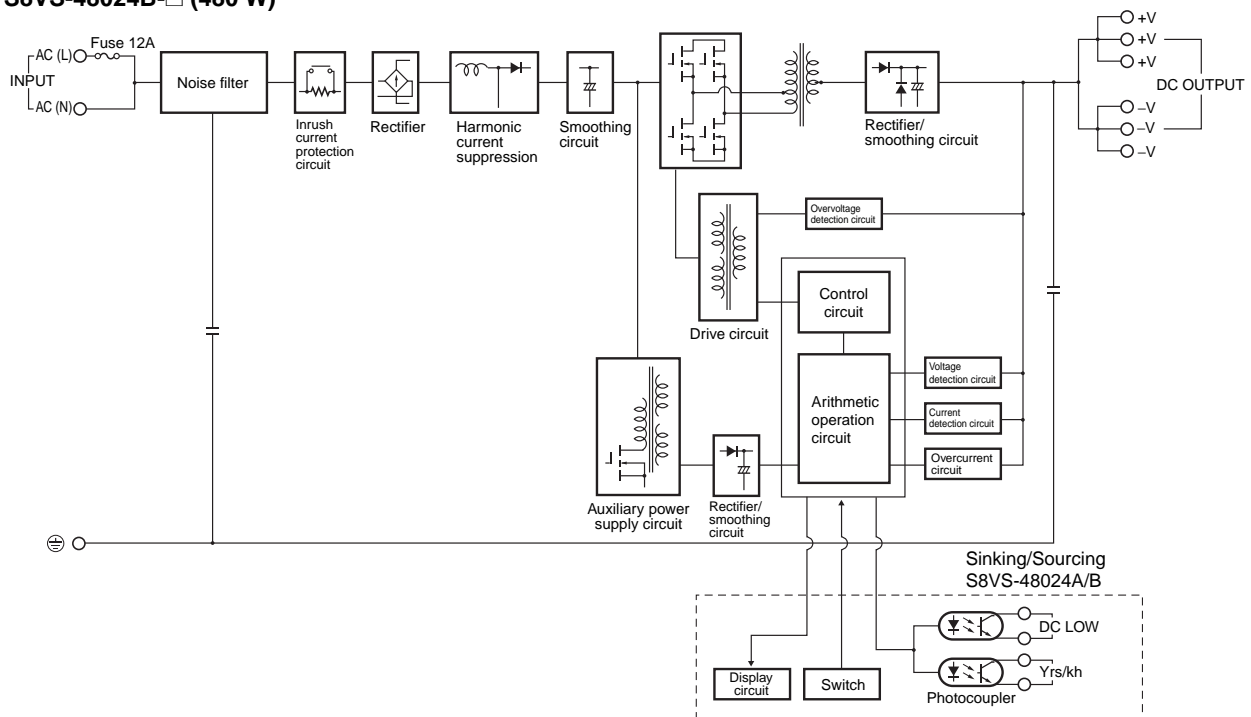
S8VS-24024A (240 W)
S8VS-24024B (240 W)



S8VS-24024 (240 W)



S8VS-48024 (480 W)
S8VS-48024A (480 W)
S8VS-48024B (480 W)

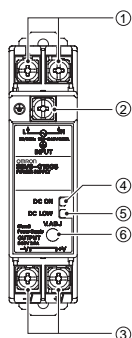


Construction and Nomenclature (15-W, 30-W Models)

Nomenclature

15-W, 30-W Models

S8VS-015□□/S8VS-030□□



No.	Name	Function
1	AC Input terminals (L), (N)	Connect the input lines to these terminals. *1
2	Protective Earth terminal (PE)	Connect the ground line to this terminal. *2
3	DC Output terminals (-V), (+V)	Connect the load lines to these terminals.
4	Output indicator (DC ON: Green)	Lights while a direct current (DC) output is ON.
5	Undervoltage indicator (DC LOW: Red)	Lights when a drop is detected in the output voltage.
6	Output voltage adjuster (V.ADJ)	Use to adjust the voltage.

*1. The fuse is located on the (L) side. It is NOT user-replaceable.

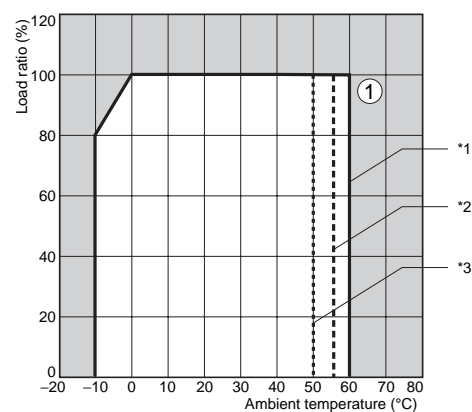
*2. This is the protective earth terminal specified in the safety standards. Always ground this terminal.

Note: The S8VS-01505 is shown above.

Engineering Data (15-W, 30-W Models)

Derating Curve

S8VS-015□□

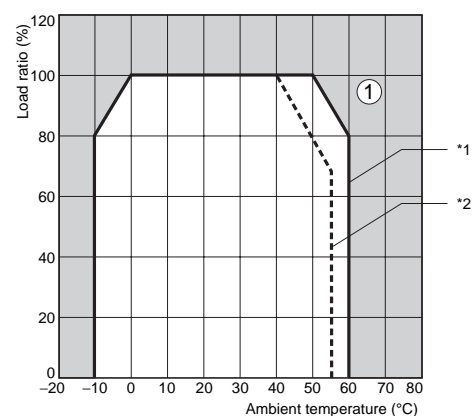


*1 Standard mounting

*2 Face-up mounting

*3 Horizontal mounting

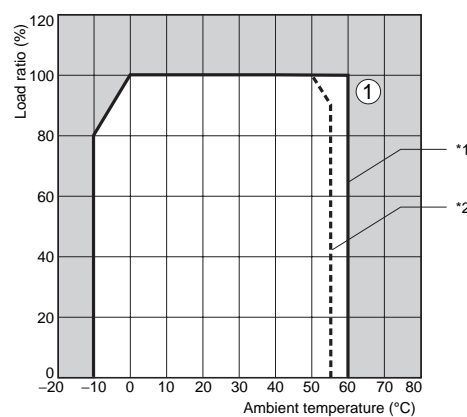
S8VS-03005/S8VS-03012



*1 Standard mounting

*2 Face-up mounting/Horizontal mounting

S8VS-03024



*1 Standard mounting

*2 Face-up mounting/Horizontal mounting

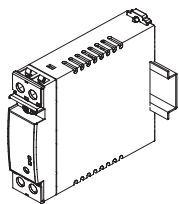
Note: 1. Internal parts may occasionally deteriorate or be damaged. Do not use the Power Supply in areas outside the derating curve (i.e., the area shown by shading ① in the above graph).

2. If there is a derating problem, use forced air-cooling.

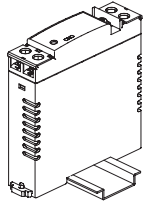
3. Provide a space of at least 20 mm when using standard mounting and horizontal mounting. If 20 mm is not available, make sure that the space is at least 10 mm. In this case, reduce the corresponding derating curve by 5°C.

Mounting

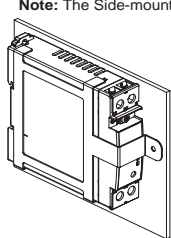
Standard mounting with DIN rail



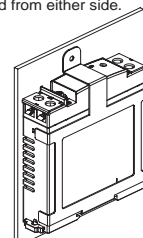
Face-up mounting with DIN rail



Standard mounting with S82Y-VS30P

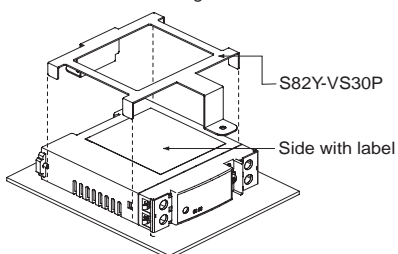


Face-up mounting with S82Y-VS30P



Note: The Side-mounting Bracket can be mounted from either side.

Horizontal mounting with S82Y-VS30P*



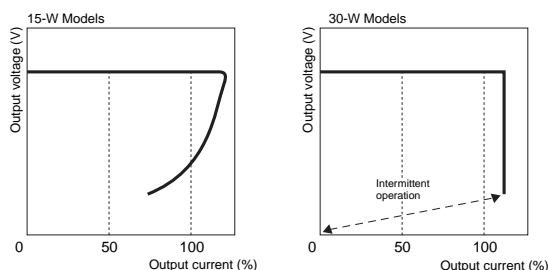
- Note: 1.** Improper mounting will interfere with heat dissipation and may occasionally result in deterioration or damage of internal parts. Use the Product within the derating curve for the mounting direction that is used. Do not use the Power Supply mounted in any way not shown above.
- 2.** Use a mounting bracket (S82Y-VS30P, sold separately) when the Product is mounted horizontally.
- 3.** Heat dissipation will be adversely affected. When the Product is mounted facing horizontally, always place the side with the label facing horizontally.
- 4.** Use PFP-M End Plates on the top and bottom of the Power Supply when mounting horizontally on a DIN rail.

Overload Protection

The load and the power supply are automatically protected from overcurrent damage by this function.

Overload protection is activated if the output current rises above 105% of the rated current.

When the output current returns within the rated range overload protection is automatically cleared.



The values shown in the above diagrams are for reference only.

- Note: 1.** Internal parts may occasionally deteriorate or be damaged if a short-circuited or overcurrent state continues during operation.
- 2.** Internal parts may possibly deteriorate or be damaged if the Power Supply is used for applications with frequent inrush current or overloading at the load end. Do not use the Power Supply for such applications.

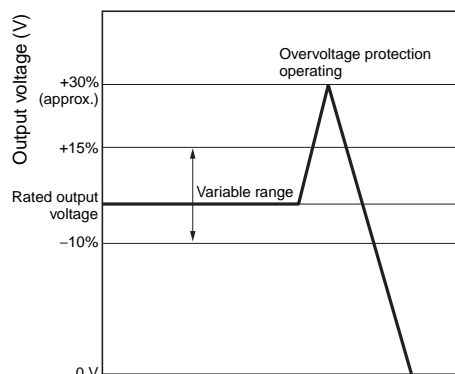
Overvoltage Protection

Consider the possibility of an overvoltage and design the system so that the load will not be subjected to an excessive voltage even if the feedback circuit in the Power Supply fails.

This power supply automatically protects itself and the load from overvoltage.

Overvoltage protection is activated if the output voltage rises above approx. 130% of the rated output voltage.

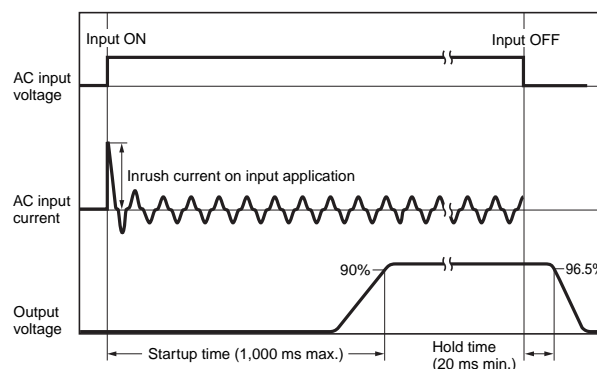
To reset the power supply, leave the power supply off for more than 3 minutes and then turn it on again.



The values shown in the above diagram is for reference only.

- Note: 1.** Do not turn ON the power again until the cause of the overvoltage has been removed.
- 2.** The overvoltage protection of the S8VS-015□□ uses a zener diode clamp. The output voltage will be clamped at approx. 140% or higher of the rated output voltage (approx. 140% to 190%). If the internal feedback circuit is destroyed by any chance, the load may be destroyed by the clamped output voltage (approx. 140% to 190% of the rated output voltage). The power Supply will not restart if the output is turned OFF by the overvoltage protection operation. If this occurs, replace the Power Supply.

Inrush Current, Startup Time, Output Hold Time



Undervoltage Alarm Indication

LED (DC LOW red) lights to warn of output voltage drop.

Detection voltage is set to approx. 80% (75 to 90%) of the rated output voltage.

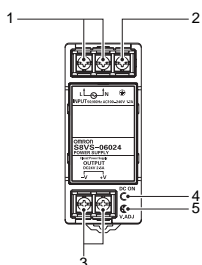
Note: This function monitors the voltage at the power supply output terminals. To check actual voltage, measure voltage on the load side.

Construction and Nomenclature (60-W, 90-W, 120-W, 180-W, 240-W, and 480-W Models)

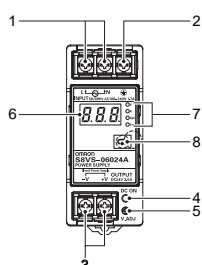
Nomenclature

60-W Models

Standard Model
S8VS-06024



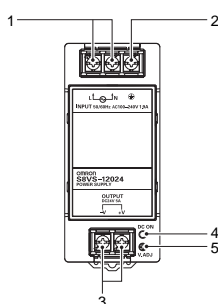
Models with Indication Monitor
S8VS-06024□



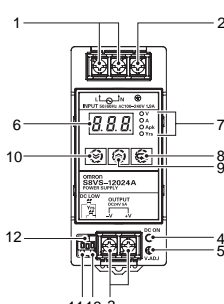
Note: The S8VS-06024A is shown above.

90-W/120-W Models

Standard Models
S8VS-09024/S8VS-0924S/
S8VS-12024



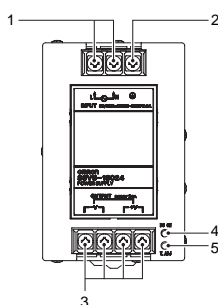
Models with Indication Monitor
S8VS-09024□/S8VS-12024□□



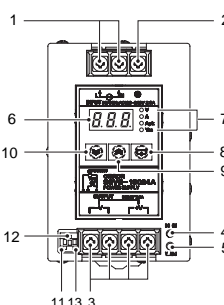
Note: The S8VS-12024A is shown above.

180-W Models

Standard Model
S8VS-18024



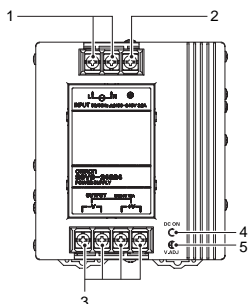
Models with Indication Monitor
S8VS-18024□□



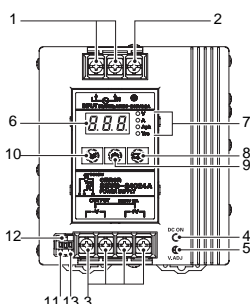
Note: The S8VS-18024A is shown above.

240-W Models

Standard Model
S8VS-24024



Models with Indication Monitor
S8VS-24024□□



Note: The S8VS-24024A is shown above.

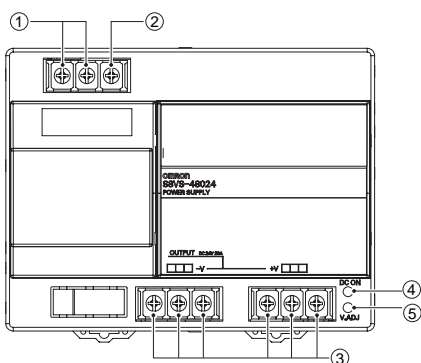
* The terminal arrangement is the same for models with screwless terminal blocks and standard models.

No.	Name	Function	
1	AC Input terminals (L), (N)	Connect the input lines to these terminals. *1	
2	Protective Earth terminal (PE)	Connect the ground line to this terminal. *2	
3	DC Output terminals (-V), (+V)	Connect the load lines to these terminals.	
4	Output indicator (DC ON: Green)	Lights while a direct current (DC) output is ON.	
5	Output voltage adjuster (V.ADJ)	Use to adjust the voltage. *3	
6	Main display (Red) *4	Indicates the measurement or set value.	
7	Operation indicator (Orange) *4	V	Lights up when the output voltage is indicated. Blinks during setup of undervoltage alarm value.
		A	Lights up during indication of output current.
		Apk	Lights up during indication of peak hold current.
		Yrs	Lights up during indication of maintenance forecast monitor. Blinks during setup of maintenance forecast monitor setting. (S8VS-□□□24A□)
		kh	Lights up during indication of total run time monitor. Blinks during setup of total run time monitor. (S8VS-□□□24B□)
8	Mode Key *4	Use the Mode Key to change the indicated parameter or reset the peak hold current value.	
9	Up Key *5	Use the Up Key to change to the setting mode or to increase the set value.	
10	Down Key *5	Use the Down Key to change to the setting mode or to decrease the set value.	
11	Alarm outputs *5, *6	Undervoltage output terminal (DC Low)	Output when a drop is detected in the output voltage (voltage drop = transistor OFF).
Maintenance Forecast output terminal (Yrs) *7		Output when the set value for maintenance is reached (transistor OFF).	
Total run time output terminal (kh) *8		Output when the set value for total run time is reached (transistor OFF).	
13	Common terminal	Common terminal (emitter) for terminals 11 and 12.	

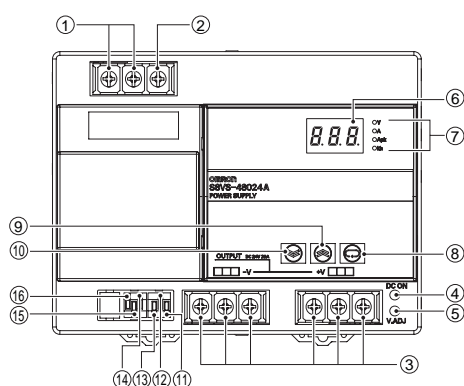
- *1. The fuse is located on the (L) side. It is NOT user replaceable.
- *2. This is the protective earth terminal specified in the safety standards. Always ground this terminal.
- *3. The voltage output from the S8VS-09024S cannot be adjusted.
- *4. S8VS-□□□24A□/B□ only.
- *5. S8VS-□□□24A□/B□ only (excluding S8VS-06024□).
- *6. Both sinking and sourcing outputs are available.
- *7. S8VS-□□□24A□ only (excluding S8VS-06024A).
- *8. S8VS-□□□24B□ only (excluding S8VS-06024B).

480-W Models

Standard Model
S8VS-48024



Models with Indication Monitor
S8VS-48024□



Note: The illustration shows the S8VS-48024A model.

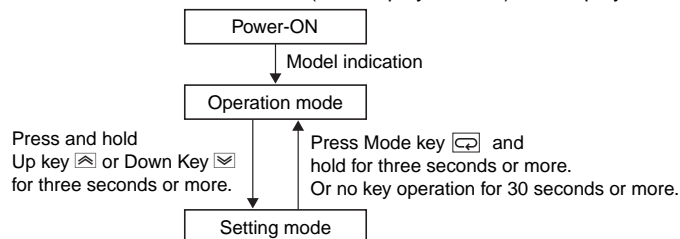
* The terminal arrangement is the same for models with screwless terminal blocks and standard models.

No.	Name	Function	
1	AC Input terminals (L), (N)	Connect the input lines to these terminals. *1	
2	Protective Earth terminal (PE)	Connect the ground line to this terminal. *2	
3	DC Output terminals (-V), (+V)	Connect the load lines to these terminals.	
4	Output indicator (DC ON: Green)	Lights while a direct current (DC) output is ON.	
5	Output voltage adjuster (V.ADJ)	Use to adjust the voltage.	
6	Main display (Red) *3	Indicates the measurement or set value.	
7	Operation indicator (Orange) *3	V	Lights up when the output voltage is indicated. Blinks during setup of undervoltage alarm value.
		A	Lights up during indication of output current.
		Apk	Lights up during indication of peak hold current.
		Yrs	Lights up during indication of maintenance forecast monitor. Blinks during setup of maintenance forecast monitor setting. (S8VS-48024A)
7	Operation indicator (Orange) *3	kh	Lights up during indication of total run time monitor. Blinks during setup of total run time monitor. (S8VS-48024B)
8	Mode Key *3	Use the Mode Key to change the indicated parameter or reset the peak hold current value.	
9	Up Key *3	Use the Up Key to change to the setting mode or to increase the set value.	
10	Down Key *3	Use the Down Key to change to the setting mode or to decrease the set value.	
11	Alarm outputs *3	Undervoltage output terminal (DC Low) (Emitter side)	Output when a drop is detected in the output voltage (voltage drop = transistor OFF).
12		Undervoltage output terminal (DC Low) (Collector side)	
13	Alarm outputs *3	Maintenance Forecast output terminal (Yrs) *4 (Emitter side)	Output when the set value for maintenance is reached (transistor OFF).
		Total run time output terminal (kh) *5 (Emitter side)	Output when the set value for total run time is reached (transistor OFF).
14	Alarm outputs *3	Maintenance Forecast output terminal (Yrs) *4 (Collector side)	Output when the set value for maintenance is reached (transistor OFF).
		Total run time output terminal (kh) *5 (Collector side)	Output when the set value for total run time is reached (transistor OFF).
15, 16	NC (Not connected)		

*1. The fuse is located on the (L) side. It is NOT user replaceable.
 *2. This is the protective earth terminal specified in the safety standards. Always ground this terminal.
 *3. S8VS-48024A/B only.
 *4. S8VS-48024A only.
 *5. S8VS-48024B only.

Mode Change (S8VS-□□□24A□/S8VS-□□□24B□ Only)

S8VS-□□□24A□ models (with display monitor) can display the output voltage, output current, peak hold current, or maintenance forecast monitor time. S8VS-□□□24B□ models (with display monitor) can display the output voltage, output current, peak hold current, or total run time.

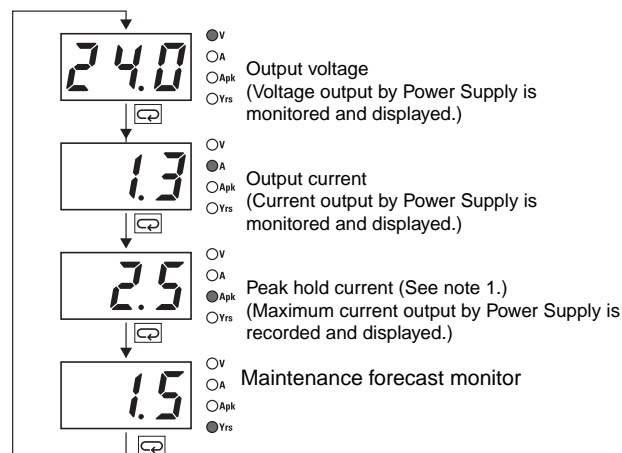


Note: No setting mode is provided for the S8VS-06024□.

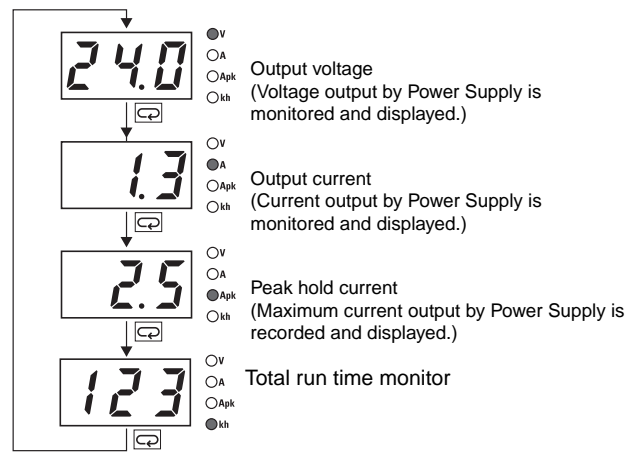
Operation Mode

Various states of the Power Supply are indicated.

Models with Maintenance Forecast Monitor (S8VS-□□□24A□)



Models with Total Run Time Monitor (S8VS-□□□24B□)

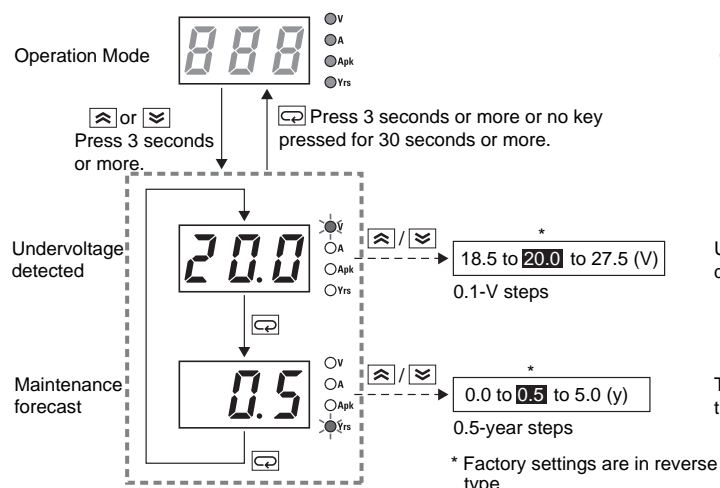


Note: 1. The peak hold current starts measuring the current 3 seconds after the Power Supply is started. Inrush current is thus not measured.
2. For the factory setting, the output voltage will be displayed when the power supply is first turned ON. Thereafter, the output voltage will be indicated in the same display when shutting down.

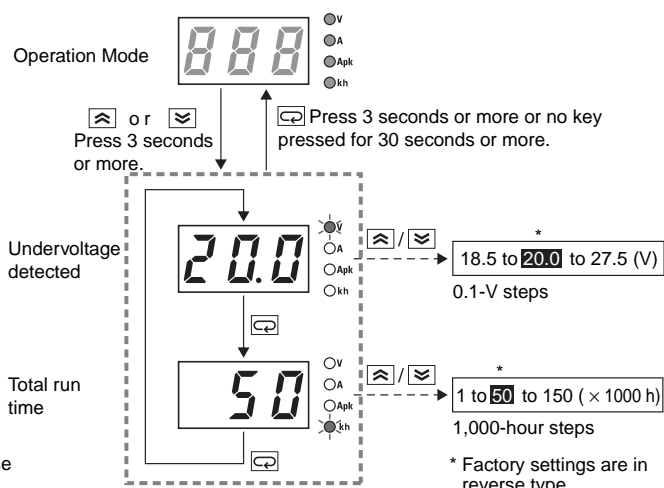
Setting Mode (Except for S8VS-06024□)

Set various parameters of the Power Supply.

Models with Maintenance Forecast Monitor (S8VS-□□□24A□)



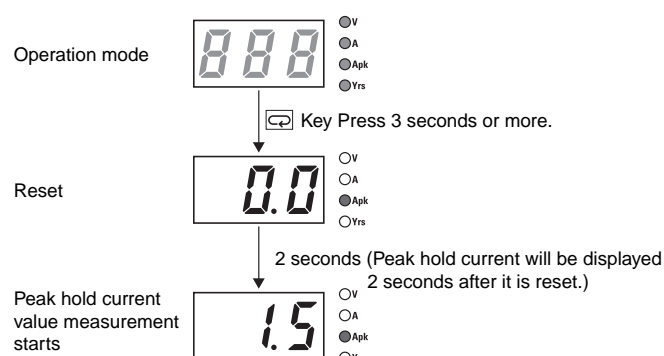
Models with Total Run Time Monitor (S8VS-□□□24B□)



Note: 1. Press and hold the (9) Up Key (▲) or (10) Down Key (▼) for two seconds or more to increase or decrease the value rapidly.
2. The S8VS-06024□ is not provided with the setting mode and its parameters are fixed at the shipment setting.

Peak Hold Current Reset

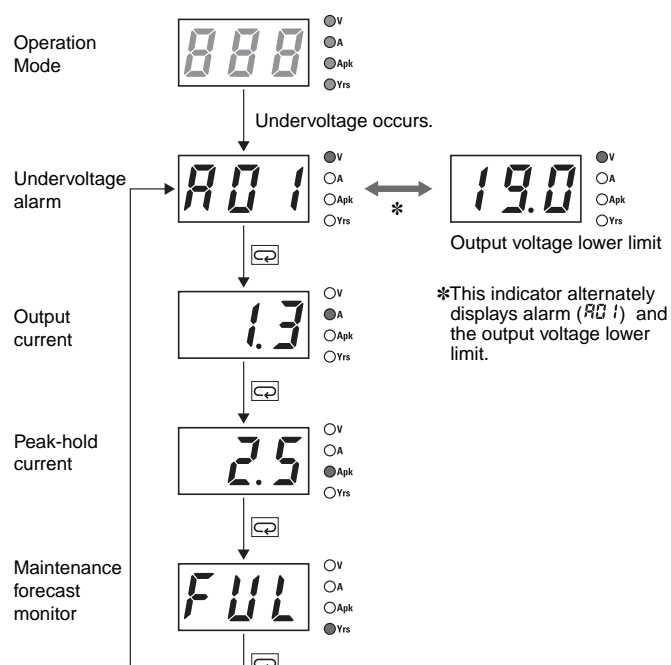
The peak value of the output current (i.e., the peak hold current) can be reset on the display.



Note: The peak hold current value is not reset in the setting mode.

Undervoltage Alarm Indication

This indicator lights when the output voltage lowers.

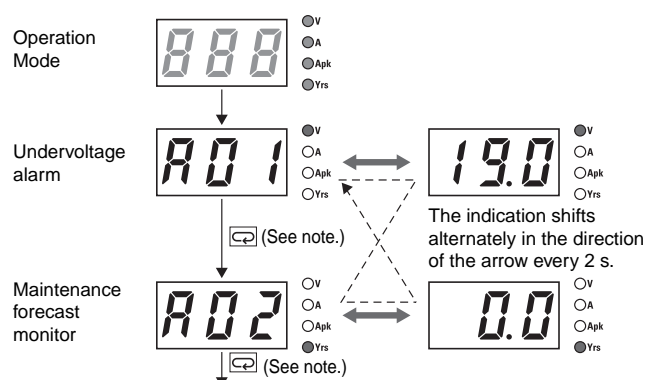


Note: 1. When the voltage is restored to the set value or higher and the Key is pressed at the R01 display to return to the output current display, the R01 alarm will be cleared and the normal output display will return.

2. The above displays are for models with a maintenance forecast monitor (S8VS-□□□24A□).

Multiple Alarms

When two or more different alarms occur at the same time




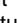
* When undervoltage alarm is indicated: Press Key → output load indication

When the maintenance forecast monitor or overheat alarm is indicated: Press Key → undervoltage alarm indication

Note: 1. The above displays are for models with a maintenance forecast monitor (S8VS-□□□24A□).

Self-Diagnostics Function

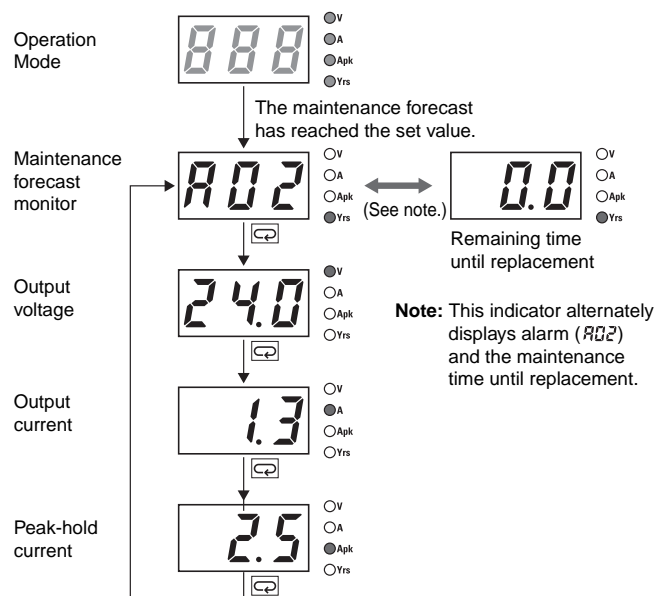
Numbers in the following table indicate the number used in *Nomenclature* on pages 12 and 15.

(6) Main display	Description	Output status	Restoration method	Setting after restoration
---	Noise detected in voltage or current	No change	Automatic reset.	No change
Hot	Overheated	Maintenance forecast output terminal (Yrs) turns OFF.	Automatic reset.	No change
E01	Undervoltage alarm set value memory error	Undervoltage output terminal (DC LOW) turns OFF.	Press and hold the Up Key  (9) or Down Key  (10) for three seconds and check the set value of the corresponding point. The set value must return to the shipment setting	Shipment setting or value set in the setting mode again
E02	Memory error of alarm set value of maintenance forecast monitor or total run time monitor	Maintenance forecast output terminal (Yrs) turns OFF or total run time output terminal (kh) turns OFF.		
E03	Other memory error	Undervoltage output terminal (DC LOW) turns OFF. Maintenance forecast output terminal (Yrs) turns OFF or total run time output terminal (kh) turns OFF.	Turn the AC input OFF then ON again. If the Product is not reset, contact the dealer.	No change
E04, E05	Hardware error (S8VS-48024A/B only)	Undervoltage output terminal (DC LOW) turns OFF. Maintenance forecast output terminal (Yrs) turns OFF or total run time output terminal (kh) turns OFF.	Turns the AC input OFF then ON again. If the Product is not reset, contact the dealer.	No change

- Note:**
- External noise is probable as a cause of “---”, “E01”, “E02”, “E03”, “E04”, and “E05” errors.
 - Operation out of the derating curve area, ventilation error, and incorrect mounting direction are probable as a cause of “Hot” error.
 - If the “Hot” error state continues for more than three hours, the maintenance forecast monitor function becomes invalid. The Yrs output (Maintenance forecast output terminal (Yrs)) will remain OFF (no continuity).
Replace the power supply if this condition occurs even if the output is correct, as internal parts may be deteriorated.
 - The “Hot” error detection function is only for the S8VS-□□□24A□.

Maintenance Forecast (S8VS-□□□24A□)

Displays when the maintenance forecast has reached the set value.



Indication and Output

When the Product is purchased, "FUL" will be indicated. As electrolytic capacitors deteriorate, indication changes to "HLF" (Refer to page 20). "FUL" will be indicated for the maintenance forecast display for approximately one month after the Power Supply is first turned ON. The accumulated value will then be displayed depending on the ambient conditions thereafter. (However, the "HLF" indication may not appear, depending on the usage environment and the set value for maintenance forecast.)

S8VS-06024A:

After the remaining time to maintenance is reduced to less than two years, indication automatically changes to a value, which decreases from "1.5" to "1.0" to "0.5" to "0.0" (year) as the running hours increase. If the remaining time becomes less than 0.5 year, an alarm (A02) and "0.0" are indicated alternately.

S8VS-09024A□/S8VS-12024A□, S8VS-18024A□/S8VS-24024A□/S8VS-48024A:

If the maintenance forecast setting L (which can be set arbitrarily from 0.0 to 5.0 years in 0.5-year steps) is set to a value larger than two years, the indication automatically changes to a value (L - 0.5) after the remaining time to maintenance is reduced to the set years, and an alarm (A02) and the remaining time are indicated alternately.

If the setting is less than 2.0 years, the indication changes to a value (1.5) after the remaining time becomes less than two years, and after the remaining time becomes less than the set time, an alarm (A02) and the remaining time (L - 0.5) are indicated alternately.

If the alarm (A02) and a numeric value are indicated alternately, a transistor (maintenance forecast output terminal (Yrs)) will turn OFF to indicate the need for maintenance. (The transistor turns OFF when the maintenance forecast time is reached, i.e., there will be no continuity at the maintenance forecast output terminal.)



- Note:**
- The remaining time to maintenance is based on continuous operation, not including the time when the power supply is turned OFF.
 - "FUL" will be indicated until approximately one month of time is accumulated to estimate the speed of deterioration and the output will remain ON (continuity at the maintenance forecast output terminal (Yrs)).
 - For details on the display, refer to *Relationship between Indicated Values and Output of Set Values* under *Maintenance Forecast Monitor Function* on page 20.

Maintenance Forecast Monitor Function

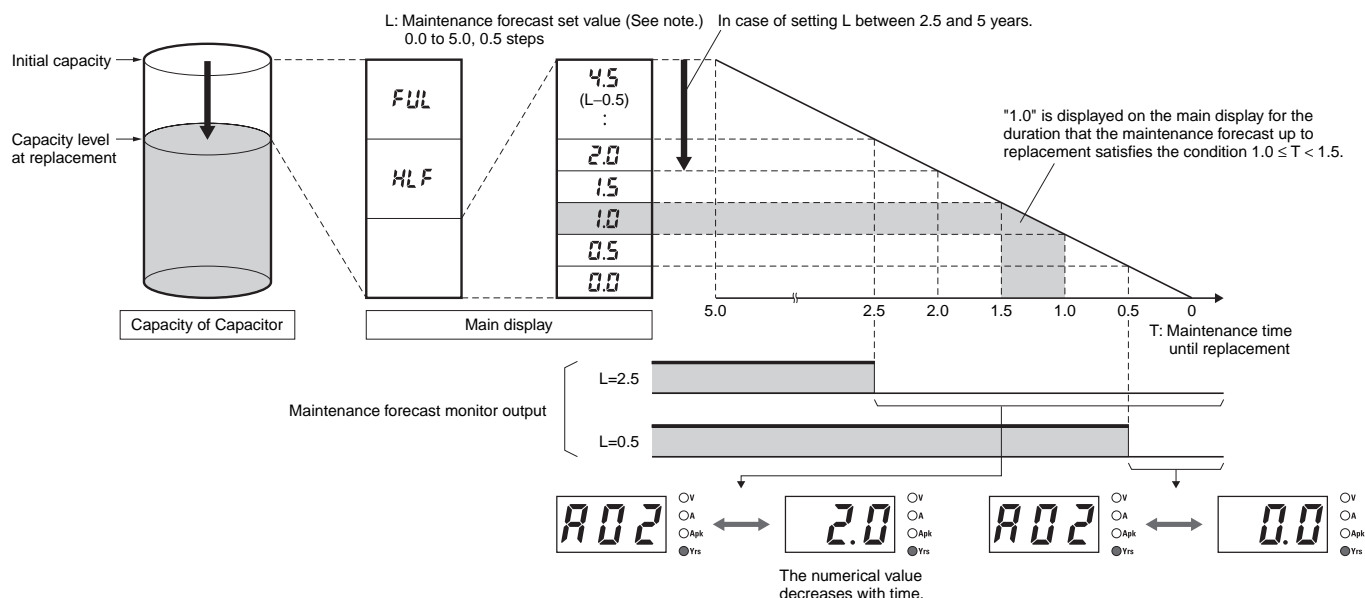
The Power Supply is equipped with electrolytic capacitors. The electrolyte inside the electrolytic capacitor penetrates the sealing rubber and evaporates as time passes since it is manufactured, which causes deterioration of characteristics such as decreasing the capacitance, etc. Due to this deterioration of the characteristics of the electrolytic capacitor, the Power Supply decreases its performance as time passes.

The maintenance forecast monitor function shows an approximate period left for maintenance of the Power Supply due to deterioration of electrolytic capacitors. When the period left for maintenance reaches the set value, an alarm is indicated and an output signal is triggered.

Use this function to know the approximate replacement timing of the Power Supply.

Note: The maintenance forecast monitor function indicates an approximate period left for maintenance based on deterioration of the electrolytic capacitor. It does not predict failures caused by other reasons.

Relationship between Indicated Values and Output of Set Values



Note: This function can be set only on the S8VS-09024A□, S8VS-12024A□, S8VS-18024A□, S8VS-24024A□, and S8VS-48024A.

Principle of Operation

The deterioration speed of the electrolytic capacitor varies considerably according to the ambient temperature. (Generally the speed follows "Rule of Two for every 10°C"; for every 10°C increase in temperature the rate of degradation doubles according to Arrhenius's equation.) The S8VS-□□□24A□ monitors the temperature inside the power supply, and calculates the amount of deterioration according to the running hours and inside temperature. Judging by this amount of deterioration, the power supply will give the alarm indication and output when the period left for maintenance reaches the set value.

- Note:**
1. Due to degradation of internal electronic parts, replace the power supply approximately 15 years after purchase even if indication and output of maintenance forecast monitor are not issued.
 2. The maintenance forecast is accelerated or decelerated according to operating conditions. Periodically check indication.
 3. Acceleration or deceleration of the maintenance forecast may cause the output to repeatedly go ON/OFF. Only the S8VS-09024A□, S8VS-12024A□, S8VS-18024A□, S8VS-24024A□, and S8VS-48024A are equipped with output.
 4. The accuracy of the maintenance forecast function may be adversely affected by applications in which the AC input is frequently turned ON/OFF.

Reference Values (15-W to 480-W Models)

Item	Value	Definition
Reliability (MTBF)	15 W to 240 W: 135,000 hr min. 480 W: 60,000 hr min.	MTBF stands for Mean Time Between Failures, which is calculated according to the probability of accidental device failures, and indicates reliability of devices. Therefore, it does not necessarily represent the life of the Product.
Life expectancy	10 yr min.	The life expectancy indicates average operating hours under the ambient temperature of 40°C and a load rate of 50%. Normally this is determined by the life expectancy of the built-in aluminum electrolytic capacitor.

Note: The maintenance forecast is the service life (the power supply's internal temperature is monitored at all times) of the internal electrolytic capacitor in actual operating conditions, and varies according to the customer's operating conditions. 15 years is taken as the maximum period of the maintenance forecast.

Models with Total Run Time Monitor (S8VS-□□□24B□)

S8VS-06024B

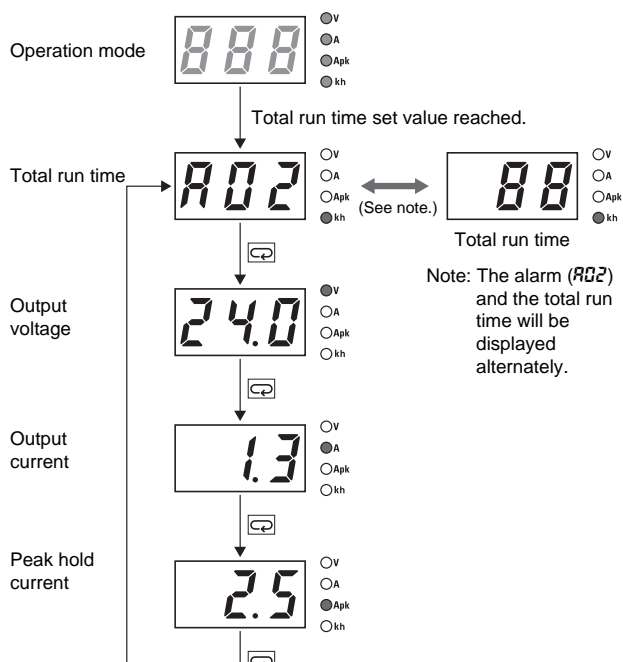
The accumulated value of the operating time of the Power Supply is displayed as the total run time. 0 (kh) will be displayed initially after purchase and then the display will advance in 1-kh steps as the operating time accumulates. The S8VS-06024B, however, does not have an alarm function (setting, display, or output).

S8VS-09024B□/S8VS-12024B□/

S8VS-18024B□/S8VS-24024B□/

S8VS-48024B

The display will appear when the set value for the total run time has been reached.



The accumulated value of the operating time of the Power Supply is displayed as the total run time. 0 (kh) will be displayed initially after purchase and then the display will advance in 1-kh steps as the operating time accumulates. When the total run time reaches the alarm set value, the alarm (A02) and the total run time will be displayed alternately and a transistor (total run time output terminal (kh)) will output the status externally.

(Alarm set value reached = OFF, i.e., no continuity at the total run time output terminal (kh))

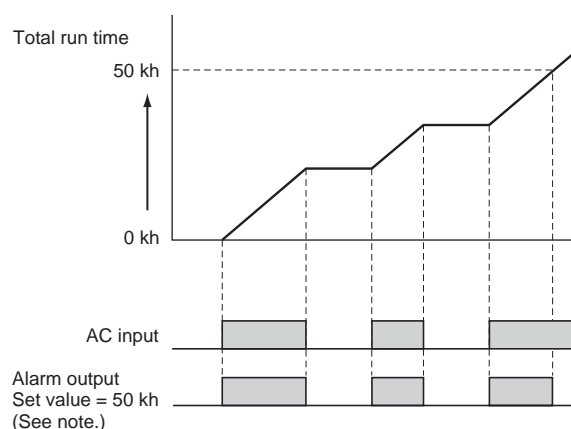
The alarm set value can be changed in the setting mode.

Example: Alarm Displays When a Total Run Time Set Value of 88 kh Is Reached



Note: The total run time cannot be reset. To clear the alarm, change the alarm set value to a value higher than the value displayed for the total run time.

Time Chart

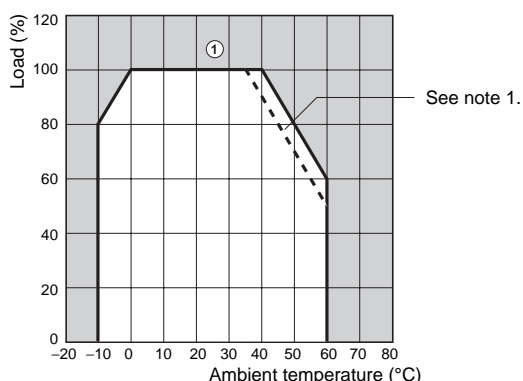


* Setting is possible for the following models only:
S8VS-09024B□, S8VS-12024B□, S8VS-18024B□,
S8VS-24024B□, S8VS-48024B

- Note:**
1. The total run time does not include the time that the Power Supply is OFF.
 2. The total run time measures the total time that power is being supplied and is not related in any way to deterioration in the electrolytic capacitor built into the Power Supply or to the effects of the ambient temperature.

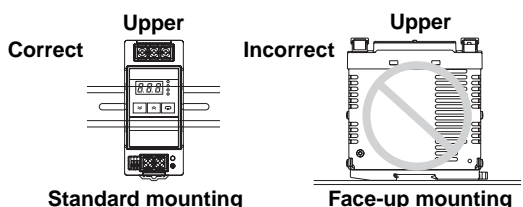
Engineering Data (60-W, 90-W, 120-W, 180-W, 240-W, and 480-W Models)

Derating Curve



- Note: 1.** Using side mounting bracket for right-side mounting (excluding 240-W models).
- Internal parts may occasionally deteriorate or be damaged. Do not use the Power Supply in areas outside the derating curve (i.e., the area shown by shading ① in the above graph).
 - If there is a derating problem, use forced air-cooling.
 - When using a 480-W model at an input voltage of 95 VAC or less, derate the load by at least 80%.

Mounting

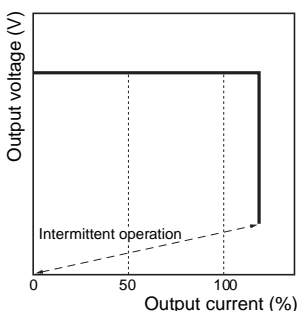


Note: Improper mounting will interfere with heat dissipation and may occasionally result in deterioration or damage of internal parts. It may also result in failure of the maintenance forecast monitor function. Use the standard mounting method only.

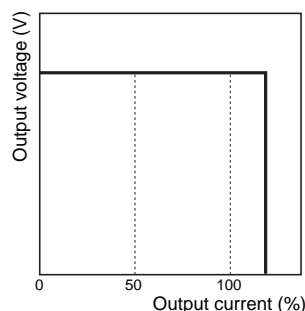
Overload Protection

The Power Supply is provided with an overload protection function that protects the power supply from possible damage by overcurrent. When the output current rises above 105% min. of the rated current, the protection function is triggered, decreasing the output voltage. When the output current falls within the rated range, the overload protection function is automatically cleared.

60-W/90-W Models



120-W/180-W/240-W/480-W Models



The values shown in the above diagrams are for reference only.

- Note: 1.** Internal parts may occasionally deteriorate or be damaged if a short-circuited or overcurrent state continues during operation.
- Internal parts may possibly deteriorate or be damaged if the Power Supply is used for applications with frequent inrush current or overloading at the load end. Do not use the Power Supply for such applications.

Peak Output Current (S8VS-48024□ only)

The peak current must satisfy the following conditions.

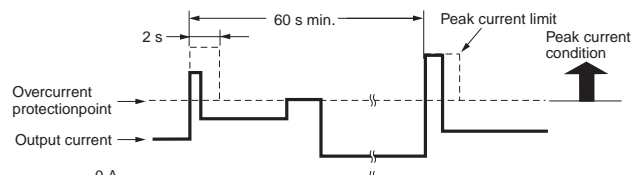
Input voltage range: 200 to 240 VAC

Peak current value: 30 A max.

Peak current pulse width: 2 s max.

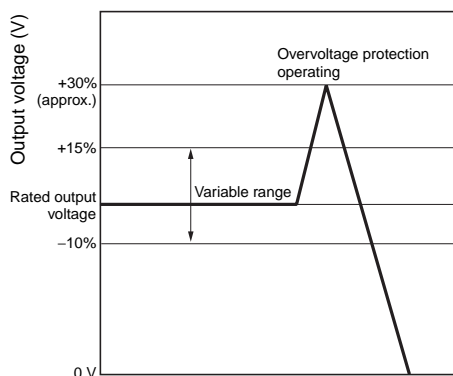
Cycle: 60 s min.

- Note: 1.** Two seconds after the peak current is reached, the peak current limiting function operates to stop the peak current flow.
- It takes 60 seconds for the peak current to be able to flow again.
 - The peak current limiting function prevents the peak current from flowing at 100 to 120 VAC.



Overvoltage Protection

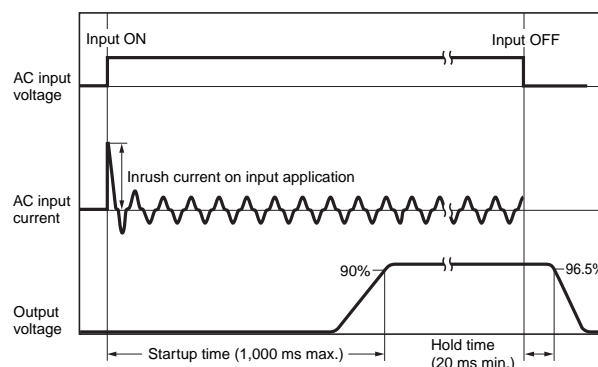
Consider the possibility of an overvoltage and design the system so that the load will not be subjected to an excessive voltage even if the feedback circuit in the Power Supply fails. If an excessive voltage that is approximately 130% of the rated voltage (but approximately 110% of the rated voltage for the S8VS-09024S) or more is output, the output voltage is shut OFF. Reset the input power by turning it OFF for at least three minutes and then turning it back ON again.



The values shown in the above diagram is for reference only.

Note: Do not turn ON the power again until the cause of the overvoltage has been removed.

Inrush Current, Startup Time, Output Hold Time



Undervoltage Alarm Function (Indication and Output) (S8VS-□□□24A□/S8VS-□□□24B□ Only)

When output voltage drop is detected, an alarm (RD !) and lowest output voltage value are indicated alternately. The preset value of detection voltage can be changed in the setting mode.

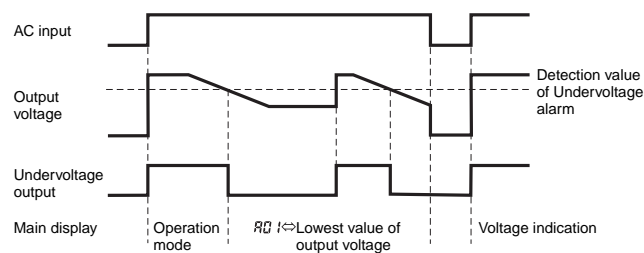
(From 18.5 to 27.5 V (18.5 to 26.3 V for the S8VS-24024A□/S8VS-24024B□), in 0.1-V steps. The value is fixed at 20.0 V for the S8VS-06024A/S8VS-06024B.)

Further, an output (undervoltage output terminal (DC LOW)) to an external device is given from the transistor to notify of the error (excluding S8VS-06024A/S8VS-06024B). (Output voltage drop = OFF, i.e., no continuity at the undervoltage output terminal (DC LOW).)

Example: Outputting an Alarm When the Voltage Output by the S8VS-09024A□ Drops to the Set Value (19.0 V) or Lower



- Note:**
1. Operation begins after about three seconds since the AC power is supplied.
 2. The alarm is not indicated in the setting mode.
 3. Press the (Mode Key (8)) after the output voltage is restored, to reset alarm indication.
 4. The undervoltage alarm function may also operate when an interruption in AC input is not restored within 20 ms.
 5. The undervoltage alarm function monitors the output terminal voltage of the Power Supply. To check the voltage accurately, measure the voltage at the load end.



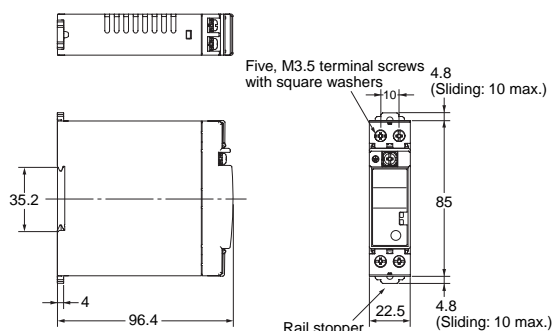
Note: Operation begins after about three seconds since the AC power is supplied.

Dimensions

Power Supplies with Screw Terminal Blocks

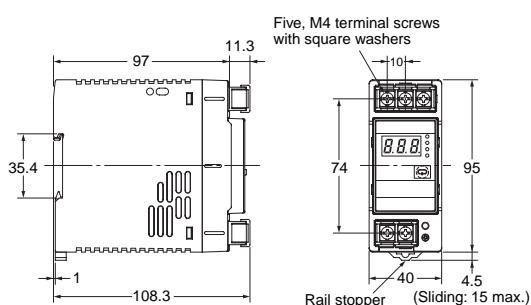
Note: All units are in millimeters unless otherwise indicated.

S8VS-015□□ (15 W)
S8VS-030□□ (30 W)



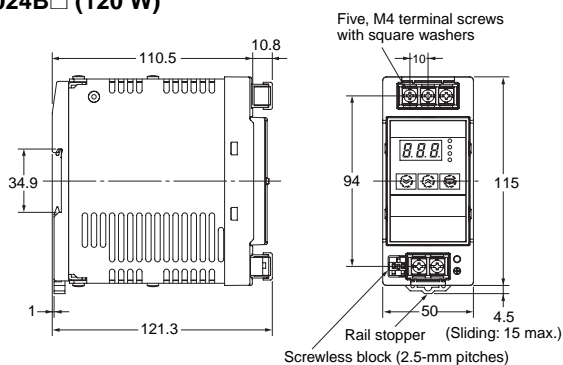
Note: The illustration is the S8VS-03024 model.

S8VS-06024 (60 W)
S8VS-06024A (60 W)
S8VS-06024B (60 W)



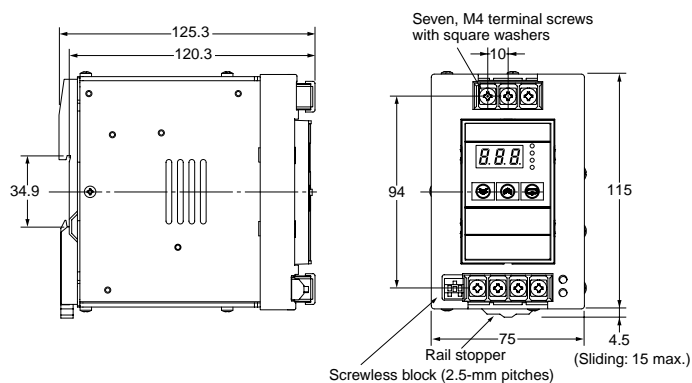
Note: The illustration is the S8VS-06024A model.

S8VS-09024 (90 W)/S8VS-12024 (120 W)
S8VS-09024A□ (90 W)/S8VS-12024A□ (120 W)
S8VS-09024B□ (90 W)/S8VS-12024B□ (120 W)
S8VS-09024S (90 W)



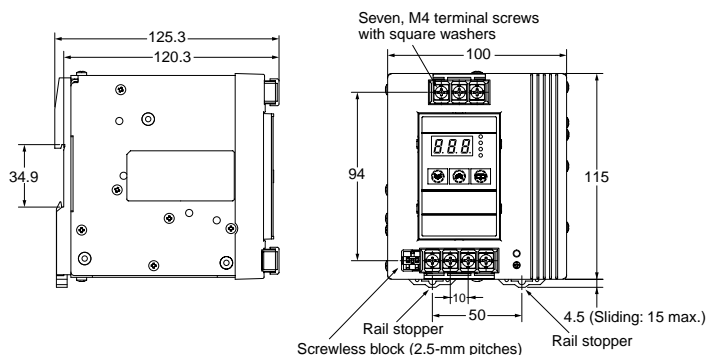
Note: The illustration is the S8VS-12024A model.

S8VS-18024 (180 W)
S8VS-18024A□ (180 W)
S8VS-18024B□ (180 W)



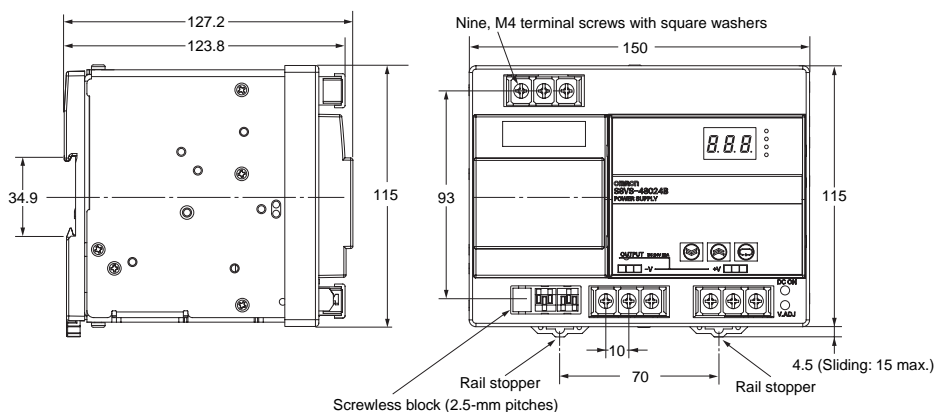
Note: The illustration is the S8VS-18024A model.

S8VS-24024 (240 W)
 S8VS-24024A (240 W)
 S8VS-24024B (240 W)



Note: The illustration shows the S8VS-24024A model.

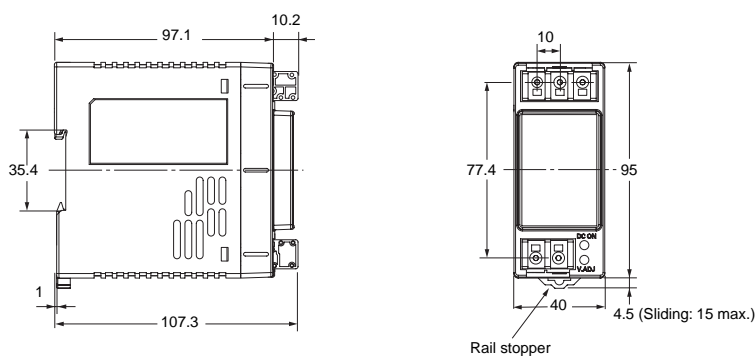
S8VS-48024 (480 W)
 S8VS-48024A (480 W)
 S8VS-48024B (480 W)



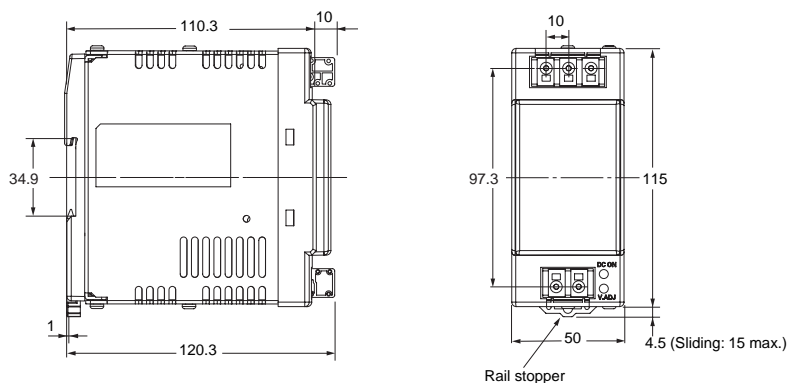
Note: The illustration shows the S8VS-48024A model.

Power Supplies with Screwless Terminal Blocks

S8VS-06024-F (60 W)

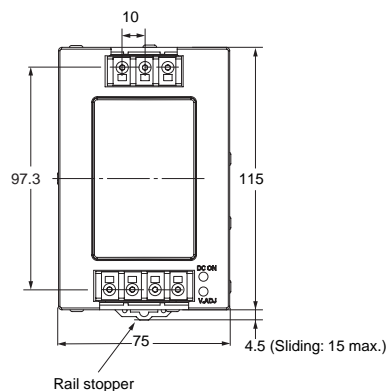
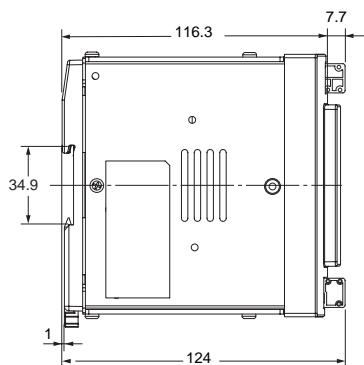


S8VS-09024-F (90 W)
 S8VS-09024S-F (90 W)
 S8VS-12024-F (120 W)

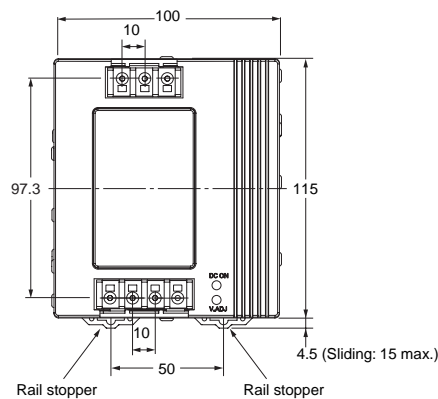
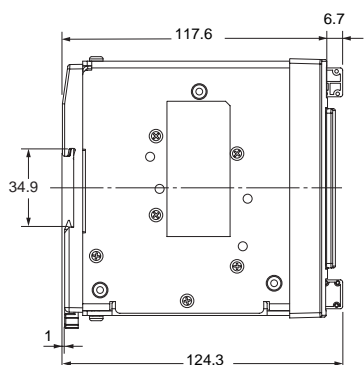


Note: The illustration shows the S8VS-12024-F model.

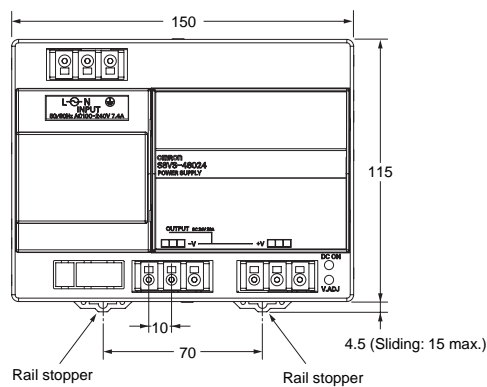
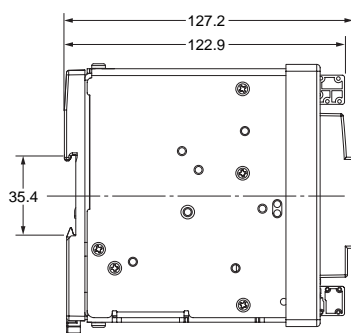
S8VS-18024-F (180 W)



S8VS-24024-F (240 W)



**S8VS-48024-F (480 W)
S8VS-48024A-F (480 W)
S8VS-48024B-F (480 W)**



Note: The illustration shows the S8VS-48024-F model.

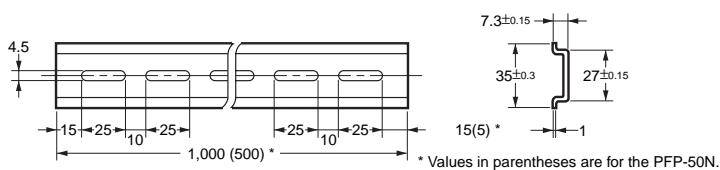
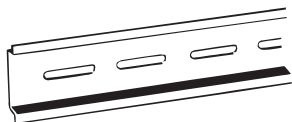
DIN Rail (Order Separately)

Note: All units are in millimeters unless otherwise indicated.

Mounting Rail (Material: Aluminum)

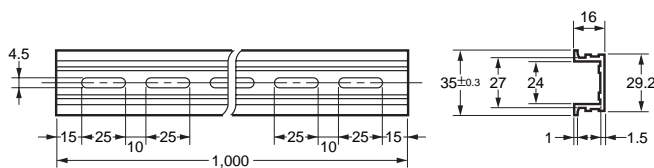
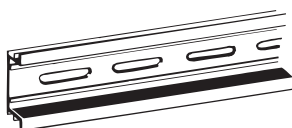
PFP-100N

PFP-50N



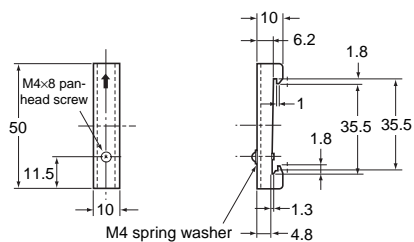
Mounting Rail (Material: Aluminum)

PFP-100N2



End Plate

PFP-M



Note: If there is a possibility that the Unit will be subject to vibration or shock, use a steel DIN Rail. Otherwise, metallic filings may result from aluminum abrasion.

Mounting Brackets

Name	Model
Side-mounting Bracket (for 15- and 30-W models)	S82Y-VS30P
Side-mounting Bracket (for 60-, 90-, and 120-W models)	S82Y-VS10S
Side-mounting Bracket (for 180-W models)	S82Y-VS15S
Side-mounting Bracket (for 240-W models)	S82Y-VS20S
Front-mounting Bracket (for 60-, 90-, 120-, 180-, and 240-W models) *	S82Y-VS10F

Note: Two required to mount a 240-W model.
 * Brackets cannot be used for 480-W models.

Type	Model	Dimensions	Appearance
Side-mounting Bracket (For 15-, 30-W models)	S82Y-VS30P		
Side-mounting Bracket (For 60-, 90-, 120-W models)	S82Y-VS10S		Left-side mounting Right-side mounting
Side-mounting Bracket (For 180-W models)	S82Y-VS15S		Left-side mounting *Right-side mounting also possible.
Side-mounting Bracket (For 240-W models)	S82Y-VS20S		Left-side mounting *Right-side mounting also possible.
Front-mounting Bracket (For 60-, 90-, 120-, 180-, and 240-W models)	S82Y-VS10F		(For 60-, 90-, 120-, 180-W types) (For 240-W type) *Use two S82Y-VS10F brackets for the 240-W type.

Safety Precautions

Refer to Safety Precautions for All Power Supplies.

CAUTION

Minor electric shock, fire, or Product failure may occasionally occur. Do not disassemble, modify, or repair the Product or touch the interior of the Product.



Minor burns may occasionally occur. Do not touch the Product while power is being supplied or immediately after power is turned OFF.



Fire may occasionally occur. Tighten terminal screws to the specified torque (15- and 30-W models: 0.8 to 1.0 N·m/60-, 90-, 120-, 180-, 240-, and 480-W models: 1.08 N·m).



Minor injury due to electric shock may occasionally occur. Do not touch the terminals while power is being supplied. Always close the terminal cover after wiring.



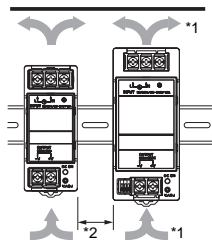
Minor electric shock, fire, or Product failure may occasionally occur. Do not allow any pieces of metal or conductors or any clippings or cuttings resulting from installation work to enter the Product.



Precautions for Safe Use

Mounting

- Take adequate measures to ensure proper heat dissipation to increase the long-term reliability of the Product. Be sure to allow convection in the atmosphere around devices when mounting. Do not use in locations where the ambient temperature exceeds the range of the derating curve.
- When cutting out holes for mounting, make sure that cuttings do not enter the interior of the Products.



- *1. Convection of air
*2. 20 mm min.

15-W and 30-W Models

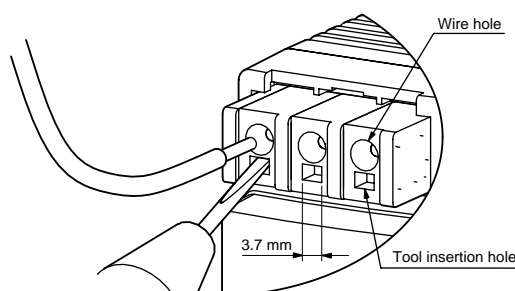
- Improper mounting will interfere with heat dissipation and may occasionally result in deterioration or damage of internal parts. Use the Product within the derating curve for the mounting direction that is used.
- Use a mounting bracket when the Product is mounted facing horizontally.
- Heat dissipation will be adversely affected. When the Product is mounted facing horizontally, always place the side with the label facing upward.
- Always provide a space of 20 mm even when mounting horizontal or facing horizontal. If a space of 20 mm is not available, reduce the temperatures given in the derating curve on page 12 by 5°C and provide a space of at least 10 mm.

60-W, 90-W, 120-W, 180-W, 240-W, and 480-W Models

- Improper mounting will interfere with heat dissipation and may occasionally result in deterioration or damage of internal parts. Use the standard mounting method only.
- The internal parts may occasionally deteriorate and be broken due to adverse heat radiation. Do not loosen the screw on the side face of the main body.

Wiring

- Connect the ground completely. A protective earthing terminal stipulated in safety standards is used. Electric shock or malfunction may occur if the ground is not connected completely.
- Minor fire may possibly occur. Ensure that input and output terminals are wired correctly.
- Do not apply more than 100-N force to the terminal block when tightening it.
- Be sure to remove the sheet covering the Product for machining before power-ON so that it does not interfere with heat dissipation.
- When wiring a screwless terminal block, do not insert more than one wire into a single terminal.
- When using a screwless terminal block, connect or disconnect the I/O wire to each terminal while inserting an appropriate tool, such as a flat-blade screwdriver, into the tool insertion hole. Make sure that the wire is securely connected to the terminal after wiring. Do not insert wires into the tool insertion holes.



- Use the following material for the wires to be connected to the S8VS to prevent smoking or ignition caused by abnormal loads.

Recommended Wire Type

15-W and 30-W Models

Model	Stranded wire	Solid wire
S8VS-03005	AWG18 to 14 (0.9 to 2.0 mm ²)	AWG18 to 16 (0.9 to 1.1 mm ²)
Other models	AWG20 to 14 (0.5 to 2.0 mm ²)	AWG20 to 16 (0.5 to 1.1 mm ²)

60-W, 90-W, 120-W, 180-W, 240-W, and 480-W Models

Model	Recommended wire size		
	Input terminals	Output terminals	Alarm output terminals
S8VS-06024□□	AWG14 to 20 (Cross section: 0.517 to 2.081 mm ²)	AWG14 to 20 (Cross section: 0.517 to 2.081 mm ²)	---
S8VS-09024□□		AWG14 to 18 (Cross section: 0.823 to 2.081 mm ²)	AWG18 to 28 (Cross section: 0.081 to 0.823 mm ²) (Wires to be stripped: 9 to 10 mm)
S8VS-12024□□		AWG14 to 16 (Cross section: 1.309 to 2.081 mm ²)	
S8VS-18024□□		AWG14 to 16 (Cross section: 1.309 to 2.081 mm ²)	
S8VS-24024□□		AWG14 to 16 (Cross section: 1,309 to 2,081 mm ²)	
S8VS-48024□□		AWG14 (Cross section: 2.081 mm ²)	

- Strip I/O wires for 11 mm when using a screwless terminal block.
- * The rated current for output terminals is 10 A per terminal. Be sure to use multiple terminals simultaneously for current that exceeds the terminal rating. When applying a current of 10 A or more, use at least two terminals each for the positive and negative wires.

Installation Environment

- Do not use the Power Supply in locations subject to shocks or vibrations. In particular, install the Power Supply as far away as possible from contactors or other devices that are a vibration source.
- Install the Power Supply well away from any sources of strong, high-frequency noise and surge.

Operating Life

- The life of a Power Supply is determined by the life of the electrolytic capacitors used inside. Here, Arrhenius Law applies, i.e., the life will be cut in half for each rise of 10°C or the life will be doubled for each drop of 10°C. The life of the Power Supply can thus be increased by reducing its internal temperature.

Ambient Operating and Storage Environments



- Store the Power Supply at a temperature of -25 to 65°C and a humidity of 25% to 90%.
- Do not use the Power Supply in areas outside the derating curve otherwise, internal parts may occasionally deteriorate or be damaged.
- Use the Power Supply at a humidity of 25% to 85%.
- Do not use the Power Supply in locations subject to direct sunlight.
- Do not use locations where liquids, foreign matter, or corrosive gases may enter the interior of Products.

S8VS-□□□24A□ Models only

Satisfy the following conditions when storing the Power Supply for long periods of time to maintain its remaining service life function. When storing for more than three months, store within an ambient temperature range of -25 to +30°C and the humidity range of 25% to 70%.

Periodic Check for Models with Indication Monitor Except 60-W Models

It may take from several years to more than 10 years under general operating conditions for the power supply to output the maintenance forecast monitor alarm (S8VS-□□□24A□). The total run time monitor (S8VS-□□□24B□) may be a similar number of years as the maintenance forecast monitor according to some settings. During operation over an extended period of time, periodically check if the maintenance forecast monitor output (Yrs) or total run time monitor output (kh) is correctly functioning by the following procedure.

- Select the operation mode.
- Check that the output (Yrs/kh) is turned ON (with continuity).
- In the operation mode, press and hold the Down Key  (10) and the Mode Key  (8) simultaneously for at least three seconds.

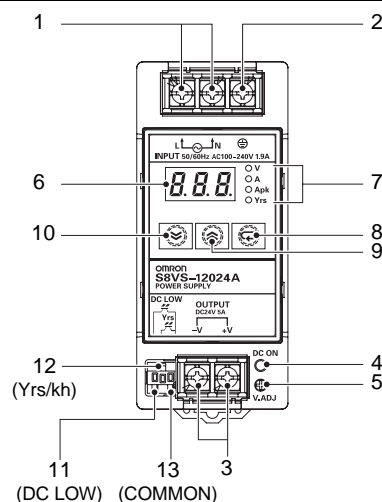
The main display (6) changes to "R02."

An inactive output (Yrs/kh) (no continuity) in the "R02" indication indicates the correct function.

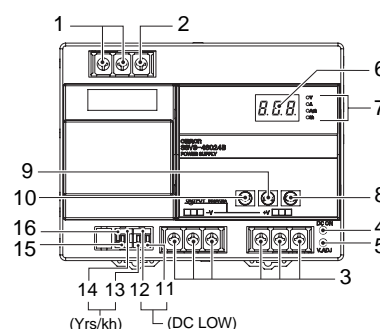
- Release keys to return to the regular state.

Note: DC output stays ON during the periodical check.

60-, 90-, 120-, 180-, 240-W Models



480-W Models



Overcurrent Protection

- Internal parts may possibly deteriorate or be damaged if a short-circuited or overcurrent state continues during operation.
- Internal parts may possibly deteriorate or be damaged if the Power Supply is used for applications with frequent inrush current or overloading at the load end. Do not use the Power Supply for such applications.

Alarm Output for Models with Indication Monitor Except 60-W Models

When using the alarm output, sufficiently consider the maximum ratings, residual voltage, and leakage current.

Transistor output: Sinking for S8VS-24A/□□□24B models
Sourcing for S8VS-□□□24AP/□□□24BP models
Sinking/Sourcing for S8VS-48024A/B models

30 VDC max., 50 mA max.

ON residually voltage: 2 V max.

OFF leakage current: 0.1 mA max.

Dielectric Strength Test

If a high voltage is applied between an input and the case (FG), it will pass through the LC of the built-in noise filter and energy will be stored. If the high voltages used for dielectric strength testing are turned ON and OFF with a switch, timer, or similar device, impulse voltage will be generated when the voltage is turned OFF and internal parts may possibly be damaged. To prevent the generation of impulse voltages, reduce the applied voltage slowly with a variable resistor on the test device or turn the voltage ON and OFF at the zero-cross point.

Inrush Current

When two or more Power Supplies are connected to the same input, the total current is the sum of the currents for each Supply. Select fuses and circuit breakers giving sufficient consideration to the fusing or operating characteristics so that fuses will not burn and breakers will not break due to inrush current.

Output Voltage Adjuster (V.ADJ)

- The output voltage adjuster (V.ADJ) may possibly be damaged if it is turned with unnecessary force. Do not turn the adjuster with excessive force.
- After completing output voltage adjustment, be sure that the output capacity or output current does not exceed the rated output capacity or rated output current.

15-W, 30-W Models

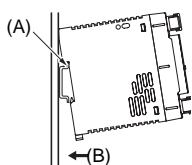
- If the output voltage is set to a value less than -10%, the undervoltage alarm function may operate.

60-W, 90-W, 120-W, 180-W, 240-W, and 480-W Models

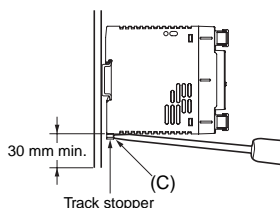
- If the output voltage is set to a value less than 20 V (the factory setting), the undervoltage alarm function may operate.

DIN Rail Mounting

To mount the Block on a DIN Rail, hook portion (A) of the Block onto the rail and press the Block in direction (B).



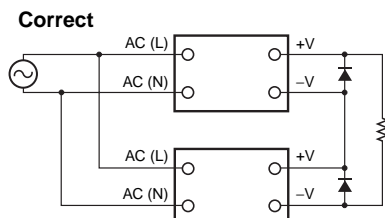
To dismount the Block, pull down portion (C) with a flat-blade screwdriver and pull out the Block.



Series Operation

(24-V Model)

Two power supplies can be connected in series.



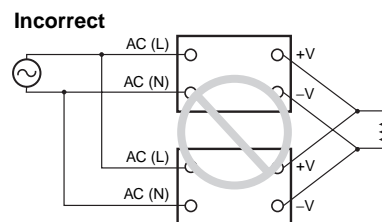
Note: 1. The diode is connected as shown in the figure. If the load is short-circuited, a reverse voltage will be generated inside the Power Supply. If this occurs the Power Supply may possibly deteriorate or be damaged. Always connect a diode as shown in the figure. Select a diode having the following ratings.

Type	Schottky Barrier diode
Dielectric strength (VRRM)	Twice the rated output voltage or above
Forward current (IF)	Twice the rated output current or above

2. Although Products having different specifications can be connected in series, the current flowing through the load must not exceed the smaller rated output current.
3. Serial operation is not possible with 5-V and 12-V models.

Parallel Operation

The Product is not designed for parallel operation.



In Case There Is No Output Voltage

The possible cause for no output voltage may be that the overcurrent or overvoltage protection has operated. The internal protection may operate if a large amount of surge voltage such as a lightning surge occurs while turning ON the power supply.

In case there is no output voltage, please check the following points before contacting us:

- Checking overload protected status:
Check whether the load is in overload status or is short-circuited. Remove wires to load when checking.
- Checking overvoltage or internal protection (except for 15-W models):
Turn the power supply OFF once, and leave it OFF for at least 3 minutes. Then turn it ON again to see if this clears the condition.

Buzzing Noise When the Input Is Turned ON (120-W, 180-W, 240-W, and 480-W Models)

A harmonic current suppression circuit is built into the Power Supply. This circuit can create noise when the input is turned ON, but it will last only until the internal circuits stabilize and does not indicate any problem in the Product.

ALL DIMENSIONS SHOWN ARE IN MILLIMETERS.

To convert millimeters into inches, multiply by 0.03937. To convert grams into ounces, multiply by 0.03527.

In the interest of product improvement, specifications are subject to change without notice.

Terms and Conditions of Sale

1. **Offer; Acceptance.** These terms and conditions (these "Terms") are deemed part of all quotes, agreements, purchase orders, acknowledgments, price lists, catalogs, manuals, brochures and other documents, whether electronic or in writing, relating to the sale of products or services (collectively, the "Products") by Omron Electronics LLC and its subsidiary companies ("Omron"). Omron objects to any terms or conditions proposed in Buyer's purchase order or other documents which are inconsistent with, or in addition to, these Terms.
2. **Prices; Payment Terms.** All prices stated are current, subject to change without notice by Omron. Omron reserves the right to increase or decrease prices on any unshipped portions of outstanding orders. Payments for Products are due net 30 days unless otherwise stated in the invoice.
3. **Discounts.** Cash discounts, if any, will apply only on the net amount of invoices sent to Buyer after deducting transportation charges, taxes and duties, and will be allowed only if (i) the invoice is paid according to Omron's payment terms and (ii) Buyer has no past due amounts.
4. **Interest.** Omron, at its option, may charge Buyer 1-1/2% interest per month or the maximum legal rate, whichever is less, on any balance not paid within the stated terms.
5. **Orders.** Omron will accept no order less than \$200 net billing.
6. **Governmental Approvals.** Buyer shall be responsible for, and shall bear all costs involved in, obtaining any government approvals required for the importation or sale of the Products.
7. **Taxes.** All taxes, duties and other governmental charges (other than general real property and income taxes), including any interest or penalties thereon, imposed directly or indirectly on Omron or required to be collected directly or indirectly by Omron for the manufacture, production, sale, delivery, importation, consumption or use of the Products sold hereunder (including customs duties and sales, excise, use, turnover and license taxes) shall be charged to and remitted by Buyer to Omron.
8. **Financial.** If the financial position of Buyer at any time becomes unsatisfactory to Omron, Omron reserves the right to stop shipments or require satisfactory security or payment in advance. If Buyer fails to make payment or otherwise comply with these Terms or any related agreement, Omron may (without liability and in addition to other remedies) cancel any unshipped portion of Products sold hereunder and stop any Products in transit until Buyer pays all amounts, including amounts payable hereunder, whether or not then due, which are owing to it by Buyer. Buyer shall in any event remain liable for all unpaid accounts.
9. **Cancellation; Etc.** Orders are not subject to rescheduling or cancellation unless Buyer indemnifies Omron against all related costs or expenses.
10. **Force Majeure.** Omron shall not be liable for any delay or failure in delivery resulting from causes beyond its control, including earthquakes, fires, floods, strikes or other labor disputes, shortage of labor or materials, accidents to machinery, acts of sabotage, riots, delay in or lack of transportation or the requirements of any government authority.
11. **Shipping; Delivery.** Unless otherwise expressly agreed in writing by Omron:
 - a. Shipments shall be by a carrier selected by Omron; Omron will not drop ship except in "break down" situations.
 - b. Such carrier shall act as the agent of Buyer and delivery to such carrier shall constitute delivery to Buyer;
 - c. All sales and shipments of Products shall be FOB shipping point (unless otherwise stated in writing by Omron), at which point title and risk of loss shall pass from Omron to Buyer; provided that Omron shall retain a security interest in the Products until the full purchase price is paid;
 - d. Delivery and shipping dates are estimates only; and
 - e. Omron will package Products as it deems proper for protection against normal handling and extra charges apply to special conditions.
12. **Claims.** Any claim by Buyer against Omron for shortage or damage to the Products occurring before delivery to the carrier must be presented in writing to Omron within 30 days of receipt of shipment and include the original transportation bill signed by the carrier noting that the carrier received the Products from Omron in the condition claimed.
13. **Warranties.** (a) **Exclusive Warranty.** Omron's exclusive warranty is that the Products will be free from defects in materials and workmanship for a period of twelve months from the date of sale by Omron (or such other period expressed in writing by Omron). Omron disclaims all other warranties, express or implied. (b) **Limitations.** OMRON MAKES NO WARRANTY OR REPRESENTATION, EXPRESS OR IMPLIED, ABOUT NON-INFRINGEMENT, MERCHANTABILITY OR FITNESS FOR A PARTICULAR PURPOSE OF THE PRODUCTS. BUYER ACKNOWLEDGES THAT IT ALONE HAS DETERMINED THAT THE PRODUCTS WILL SUITABLY MEET THE REQUIREMENTS OF THEIR INTENDED USE. Omron further disclaims all warranties and responsibility of any type for claims or expenses based on infringement by the Products or otherwise of any intellectual property right. (c) **Buyer Remedy.** Omron's sole obligation hereunder shall be, at Omron's election, to (i) replace (in the form originally shipped with Buyer responsible for labor charges for removal or replacement thereof) the non-complying Product, (ii) repair the non-complying Product, or (iii) repay or credit Buyer an amount equal to the purchase price of the non-complying Product; provided that in no event shall Omron be responsible for warranty, repair, indemnity or any other claims or expenses regarding the Products unless Omron's analysis confirms that the Products were properly handled, stored, installed and maintained and not subject to contamination, abuse, misuse or inappropriate modification. Return of any Products by Buyer must be approved in writing by Omron before shipment. Omron Companies shall not be liable for the suitability or unsuitability or the results from the use of Products in combination with any electrical or electronic components, circuits, system assemblies or any other materials or substances or environments. Any advice, recommendations or information given orally or in writing, are not to be construed as an amendment or addition to the above warranty. See <http://www.omron247.com> or contact your Omron representative for published information.
14. **Limitation on Liability; Etc.** OMRON COMPANIES SHALL NOT BE LIABLE FOR SPECIAL, INDIRECT, INCIDENTAL, OR CONSEQUENTIAL DAMAGES, LOSS OF PROFITS OR PRODUCTION OR COMMERCIAL LOSS IN ANY WAY CONNECTED WITH THE PRODUCTS, WHETHER SUCH CLAIM IS BASED IN CONTRACT, WARRANTY, NEGLIGENCE OR STRICT LIABILITY. Further, in no event shall liability of Omron Companies exceed the individual price of the Product on which liability is asserted.
15. **Indemnities.** Buyer shall indemnify and hold harmless Omron Companies and their employees from and against all liabilities, losses, claims, costs and expenses (including attorney's fees and expenses) related to any claim, investigation, litigation or proceeding (whether or not Omron is a party) which arises or is alleged to arise from Buyer's acts or omissions under these Terms or in any way with respect to the Products. Without limiting the foregoing, Buyer (at its own expense) shall indemnify and hold harmless Omron and defend or settle any action brought against such Companies to the extent based on a claim that any Product made to Buyer specifications infringed intellectual property rights of another party.
16. **Property; Confidentiality.** Any intellectual property in the Products is the exclusive property of Omron Companies and Buyer shall not attempt to duplicate it in any way without the written permission of Omron. Notwithstanding any charges to Buyer for engineering or tooling, all engineering and tooling shall remain the exclusive property of Omron. All information and materials supplied by Omron to Buyer relating to the Products are confidential and proprietary, and Buyer shall limit distribution thereof to its trusted employees and strictly prevent disclosure to any third party.
17. **Export Controls.** Buyer shall comply with all applicable laws, regulations and licenses regarding (i) export of products or information; (ii) sale of products to "forbidden" or other proscribed persons; and (iii) disclosure to non-citizens of regulated technology or information.
18. **Miscellaneous.** (a) **Waiver.** No failure or delay by Omron in exercising any right and no course of dealing between Buyer and Omron shall operate as a waiver of rights by Omron. (b) **Assignment.** Buyer may not assign its rights hereunder without Omron's written consent. (c) **Law.** These Terms are governed by the law of the jurisdiction of the home office of the Omron company from which Buyer is purchasing the Products (without regard to conflict of law principles). (d) **Amendment.** These Terms constitute the entire agreement between Buyer and Omron relating to the Products, and no provision may be changed or waived unless in writing signed by the parties. (e) **Severability.** If any provision hereof is rendered ineffective or invalid, such provision shall not invalidate any other provision. (f) **Setoff.** Buyer shall have no right to set off any amounts against the amount owing in respect of this invoice. (g) **Definitions.** As used herein, "including" means "including without limitation"; and "Omron Companies" (or similar words) mean Omron Corporation and any direct or indirect subsidiary or affiliate thereof.

Certain Precautions on Specifications and Use

1. **Suitability of Use.** Omron Companies shall not be responsible for conformity with any standards, codes or regulations which apply to the combination of the Product in the Buyer's application or use of the Product. At Buyer's request, Omron will provide applicable third party certification documents identifying ratings and limitations of use which apply to the Product. This information by itself is not sufficient for a complete determination of the suitability of the Product in combination with the end product, machine, system, or other application or use. Buyer shall be solely responsible for determining appropriateness of the particular Product with respect to Buyer's application, product or system. Buyer shall take application responsibility in all cases but the following is a non-exhaustive list of applications for which particular attention must be given:
 - (i) Outdoor use, uses involving potential chemical contamination or electrical interference, or conditions or uses not described in this document.
 - (ii) Use in consumer products or any use in significant quantities.
 - (iii) Energy control systems, combustion systems, railroad systems, aviation systems, medical equipment, amusement machines, vehicles, safety equipment, and installations subject to separate industry or government regulations.
 - (iv) Systems, machines and equipment that could present a risk to life or property. Please know and observe all prohibitions of use applicable to this Product.
 NEVER USE THE PRODUCT FOR AN APPLICATION INVOLVING SERIOUS RISK TO LIFE OR PROPERTY OR IN LARGE QUANTITIES WITHOUT ENSURING THAT THE SYSTEM AS A WHOLE HAS BEEN DESIGNED TO ADDRESS THE RISKS, AND THAT THE OMRON'S PRODUCT IS PROPERLY RATED AND INSTALLED FOR THE INTENDED USE WITHIN THE OVERALL EQUIPMENT OR SYSTEM.
2. **Programmable Products.** Omron Companies shall not be responsible for the user's programming of a programmable Product, or any consequence thereof.
3. **Performance Data.** Data presented in Omron Company websites, catalogs and other materials is provided as a guide for the user in determining suitability and does not constitute a warranty. It may represent the result of Omron's test conditions, and the user must correlate it to actual application requirements. Actual performance is subject to the Omron's Warranty and Limitations of Liability.
4. **Change in Specifications.** Product specifications and accessories may be changed at any time based on improvements and other reasons. It is our practice to change part numbers when published ratings or features are changed, or when significant construction changes are made. However, some specifications of the Product may be changed without any notice. When in doubt, special part numbers may be assigned to fix or establish key specifications for your application. Please consult with your Omron's representative at any time to confirm actual specifications of purchased Product.
5. **Errors and Omissions.** Information presented by Omron Companies has been checked and is believed to be accurate; however, no responsibility is assumed for clerical, typographical or proofreading errors or omissions.

OMRON

Automation...simple...powerful.

OMRON ELECTRONICS LLC • THE AMERICAS HEADQUARTERS

Schaumburg, IL USA • 847.843.7900 • 800.556.6766 • www.omron247.com

OMRON CANADA, INC. • HEAD OFFICE

Toronto, ON, Canada • 416.286.6465 • 866.986.6766 • www.omron.ca

OMRON ELETRÔNICA DO BRASIL LTDA • HEAD OFFICE

São Paulo, SP, Brasil • 55.11.2101.6300 • www.omron.com.br

OMRON ELECTRONICS MEXICO SA DE CV • HEAD OFFICE

Apodaca, N.L. • 52.811.156.99.10 • mela@omron.com

S8VS-E2A

Note: Specifications are subject to change.

OMRON ARGENTINA • SALES OFFICE

Cono Sur • 54.11.4787.1129

OMRON CHILE • SALES OFFICE

Santiago 56.2206.4592

OTHER OMRON LATIN AMERICA SALES

56.2206.4592

© 2008 Omron Electronics LLC

Printed in U.S.A.