

NELES

1/4" – 2" (DN 8 – 50) Jamesbury™ Eliminator 2000 CWP and ASME class 600 threaded end ball valve

The Jamesbury™ Eliminator ball valve offers our best technology and performance in a two-piece threaded end valve.

This ball valve's unique design offers fire-test specifications, rugged actuator mounting and flexible-lip seats for application versatility that surpasses other low-cost ball valves.

The Eliminator ball valve is available in 1/4" – 2" (DN 8 – 50) sizes in two versions. The first is rated by the traditional approach for threaded end valves. This approach determines Cold Working Pressure (CWP) based on paragraph UG101 of the ASME Boiler and Pressure Vessel Code. Accordingly, the CWP of this series is as follows:

| Valve Size | | CWP Rating | |
|------------|--------|------------|-----|
| inches | DN | psi | bar |
| 1/4" - 2" | 8 - 50 | 2000 | 138 |

The second version is rated according to ASME Standard B16.34. This rugged ASME design meets all of the requirements of ASME B16.34 and may be used in ASME piping systems without compromising ASME piping codes. The ratings are as follows:

| Valve Size | | ASME Class | CWP Rating | |
|------------|--------|------------|------------|-------|
| inches | DN | | psi | bar |
| 1/4" - 2" | 8 - 50 | 600 | 1480 | 102.1 |

Both designs are available in carbon and stainless steel and are rated for steam applications with Xtreme™ (X), and PTFE (T) seats.

FEATURES AND BENEFITS

Reliable Bi-Directional Shutoff

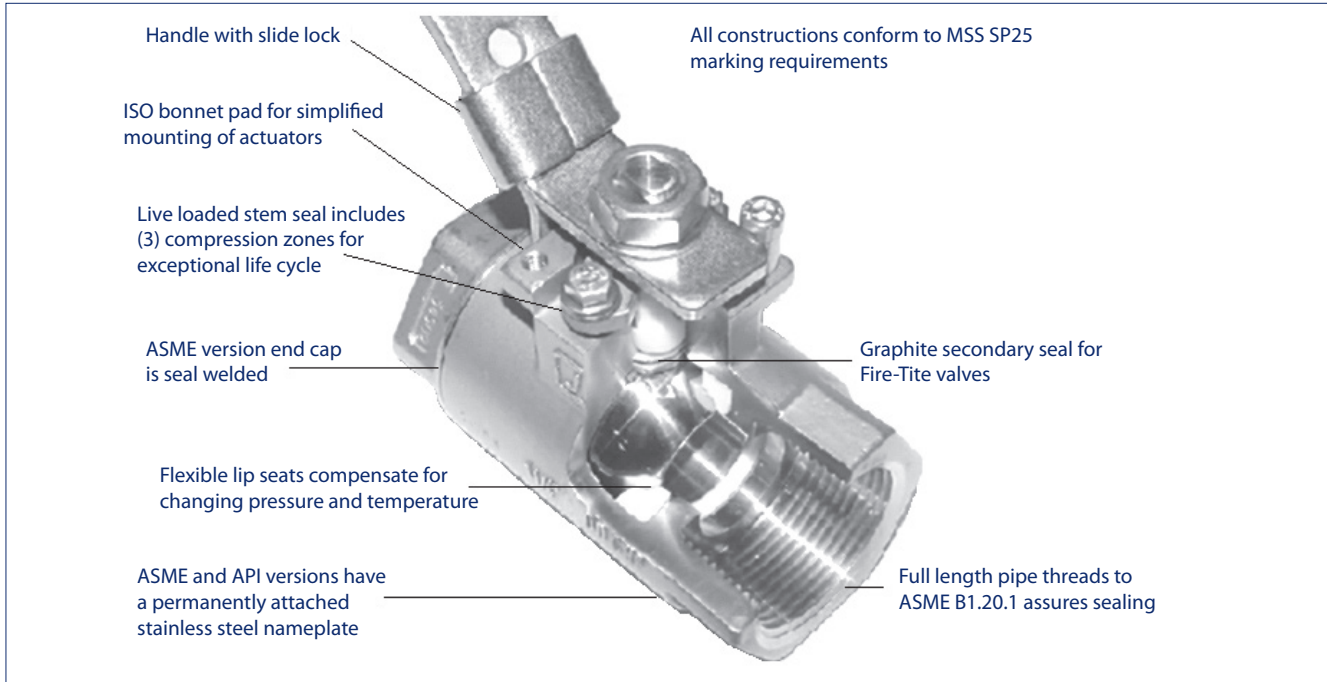
- Xtreme seat provides longer life, expanded performance boundaries and greater value.
- Polymeric flexible lip-seat design offers tight shutoff in either direction and extended cycle life with minimum maintenance.



- Available to meet ASME Class 600 standards per B16.34, B31.1, B31.3, B31.4 and API 608.
- Fire-Tite™ valves meet API 607 requirements.
- ASME Class valves meet API 598 requirements.
- Patented stem seal system is live loaded and engineered to assure long sealing life.
- ISO 5211 Bonnet for global conformity.
- CE Marking option.
- Stainless steel linkage for VPVL, V-Series and ADC-Series actuators has a guided coupling to align topworks during assembly and eliminate side load stress on stem seals for long life, clean environment and reduced maintenance.
- Standard materials meet requirements of NACE MR0103 and MR0175 (see p8)

Rugged Valve/Actuator Interface Simplifies Automation

- Jamesbury actuators and linkage support up to a 200 lb. load in any direction without causing actuator misalignment and consequent stem seal leakage.



XTREME PERFORMANCE & VALUE

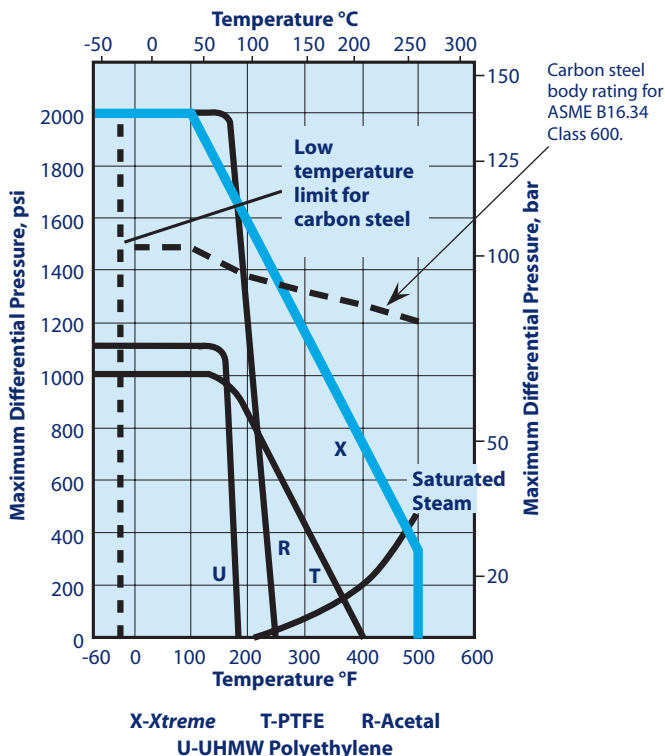
Xtreme seats provide longer life, expanded performance boundaries and the greatest possible value. Xtreme is a unique material that resulted from a technological breakthrough in our polymer research lab. The material is a fluoropolymer based blend, proprietary to Jamesbury that provides superior quarter turn valve performance.

Valve Seat Ratings

These ratings are based on differential pressure with valve in the fully closed position and refer to seats only. Refer to valve body ratings to be sure that all components are satisfactory for the application.

Valves with PTFE, Xtreme, PEEK®, PFA, and UHMW polyethylene seats can be used in service to -100°F (-73°C) provided that the valve body material is suitable for such a temperature.

1 /4" – 2" (DN 8 – 50) Standard Port



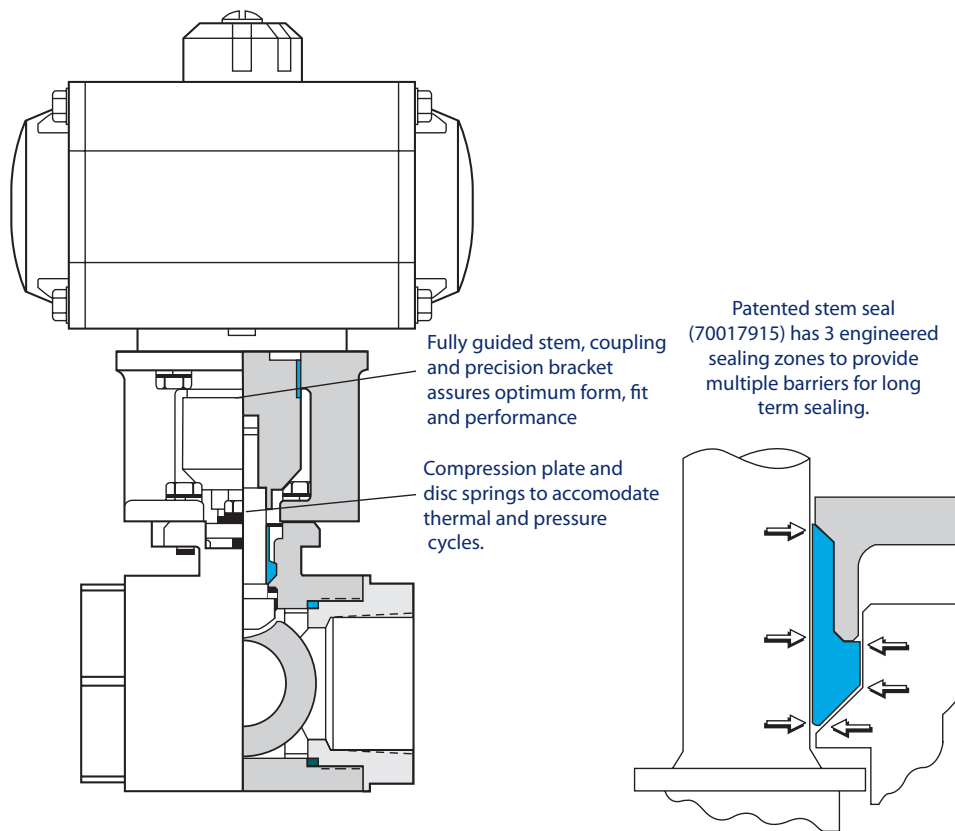
Valve Body Ratings

These are maximum working pressure ratings of the valve body only. Valves in carbon steel are suitable for service to -20°F (-29°C). The preceding seat ratings determine the practical pressure limit. Ratings are at -20°F to +100°F (-29°C to +38°C).

| Valve Size inches | Working Pressure Rating - psi | | | |
|-------------------|-------------------------------|-----------|-----------------|-----------|
| | Carbon Steel | | Stainless Steel | |
| | ASME Rated | CWP Rated | ASME Rated | CWP Rated |
| 1/4" – 2" | 1480 | 2000 | 1440 | 2000 |

| Valve Size DN | Working Pressure Rating - bar | | | |
|---------------|-------------------------------|-----------|-----------------|-----------|
| | Carbon Steel | | Stainless Steel | |
| | ASME Rated | CWP Rated | ASME Rated | CWP Rated |
| 8 – 50 | 102 | 138 | 99.3 | 138 |

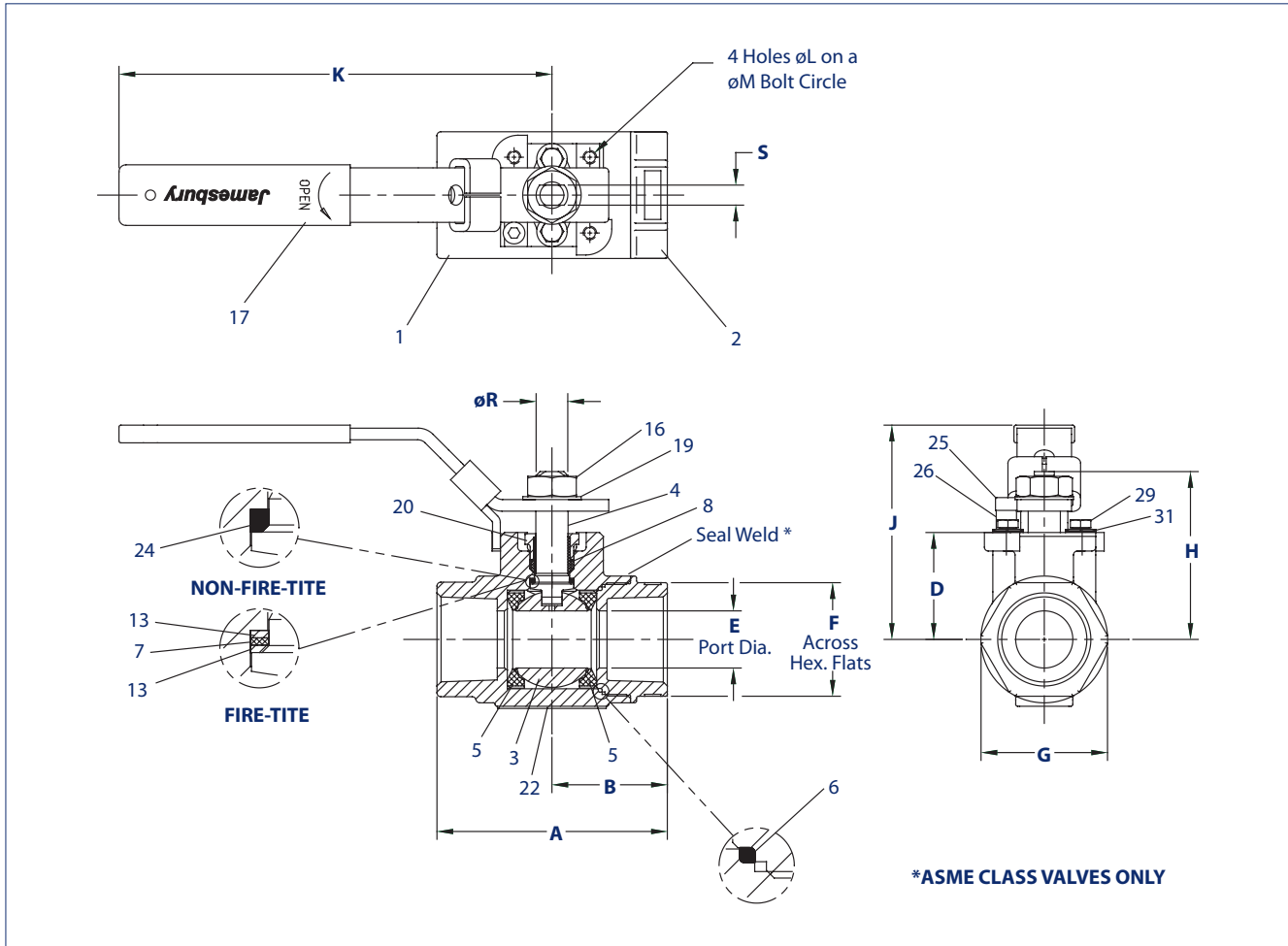
Jamesbury 'The Ultimate Process Automation Package' for VPVL Pneumatic Actuators, V-Series and ADC-Series Electric Actuators



Automation Performance and Value

Eliminator valves combined with Jamesbury actuators, offer a total value and performance package. Available with pneumatic Valv-Powr™ VPVL actuators, V-Series and ADC-Series electric actuators and with StoneL™ Quartz™, Eclipse™, and Hawkeye™ digital monitors or VCTs, the packages have a wide range of applications. Visit our website at www.neles.com.

DIMENSIONS



| Valve Size inches | APPROXIMATE DIMENSIONS - inches | | | | | | | | | | | | | | Approx. Weight lbs. |
|-------------------|---------------------------------|------|------|------|------|-----|------|------|------|----|------|------|------|------------|---------------------|
| | A | B | D | E | F | G | H | J | K | L | M | R | S | ISO Bonnet | |
| 1/4 | 2.16 | 1.13 | 1.06 | 0.43 | 1.13 | 1.2 | 1.63 | 2.36 | 5.00 | M5 | 1.42 | 0.31 | 0.18 | F03 | 1.0 |
| 3/8 | 2.16 | 1.13 | 1.06 | 0.43 | 1.13 | 1.2 | 1.63 | 2.36 | 5.00 | M5 | 1.42 | 0.31 | 0.18 | F03 | 1.0 |
| 1/2 | 2.62 | 1.34 | 1.06 | 0.50 | 1.13 | 1.2 | 1.63 | 2.36 | 5.00 | M5 | 1.42 | 0.31 | 0.18 | F03 | 1.0 |
| 3/4 | 3.00 | 1.50 | 1.22 | 0.69 | 1.38 | 1.6 | 1.79 | 2.52 | 5.00 | M5 | 1.42 | 0.31 | 0.18 | F03 | 2.0 |
| 1 | 3.55 | 1.78 | 1.65 | 0.88 | 1.75 | 2.0 | 2.58 | 3.29 | 6.50 | M5 | 1.65 | 0.50 | 0.31 | F04 | 3.0 |
| 1-1/4 | 4.00 | 2.00 | 1.78 | 1.00 | 2.00 | 2.3 | 2.71 | 3.42 | 6.50 | M5 | 1.65 | 0.50 | 0.31 | F04 | 4.0 |
| 1-1/2 | 4.38 | 2.19 | 2.08 | 1.25 | 2.31 | 2.7 | 3.30 | 4.27 | 8.00 | M6 | 1.97 | 0.63 | 0.37 | F05 | 5.5 |
| 2 | 5.50 | 2.75 | 2.26 | 1.50 | 2.81 | 3.1 | 3.49 | 4.46 | 8.00 | M6 | 1.97 | 0.63 | 0.37 | F05 | 7.5 |

| Valve Size DN | APPROXIMATE DIMENSIONS - mm | | | | | | | | | | | | | | Approx. Weight kg |
|---------------|-----------------------------|----|----|----|----|----|----|-----|-----|----|----|----|----|------------|-------------------|
| | A | B | D | E | F | G | H | J | K | L | M | R | S | ISO Bonnet | |
| 08 | 55 | 29 | 27 | 11 | 29 | 31 | 41 | 60 | 127 | M5 | 36 | 08 | 05 | F03 | .4 |
| 10 | 55 | 29 | 27 | 11 | 29 | 31 | 41 | 60 | 127 | M5 | 36 | 08 | 05 | F03 | .4 |
| 15 | 67 | 34 | 27 | 13 | 29 | 31 | 41 | 60 | 127 | M5 | 36 | 08 | 05 | F03 | .4 |
| 20 | 76 | 38 | 31 | 18 | 35 | 41 | 45 | 64 | 127 | M5 | 36 | 08 | 05 | F03 | .9 |
| 25 | 90 | 45 | 42 | 22 | 44 | 51 | 65 | 84 | 165 | M5 | 42 | 13 | 08 | F04 | 1.3 |
| 32 | 102 | 51 | 45 | 25 | 51 | 59 | 69 | 87 | 165 | M5 | 42 | 13 | 08 | F04 | 1.8 |
| 40 | 111 | 56 | 53 | 32 | 59 | 69 | 84 | 108 | 203 | M6 | 50 | 16 | 09 | F05 | 2.5 |
| 50 | 140 | 70 | 57 | 38 | 71 | 79 | 89 | 113 | 203 | M6 | 50 | 16 | 09 | F05 | 3.4 |

| BILL OF MATERIALS AND PARTS LIST | | | |
|----------------------------------|---------------------|--|---|
| Part No. | Part Name | Body Material | |
| | | Carbon Steel (22) | 316 Stainless Steel (36) |
| 1 | Body | Carbon steel ASTM A216 Type WCB | 316 Stainless steel ASTM A351 Type CF8M |
| 2 | Body Cap | Carbon steel ASTM A216 Type WCB | 316 Stainless steel ASTM A351 Type CF8M |
| 3 | Ball | 316 Stainless steel | |
| 4 | Stem | 316 Stainless steel or 17-4 PH Stainless steel | |
| 5 | Seat | PTFE, Xtreme, Acetal#, UHMW polyethylene, as specified | |
| 6 | Body Seal | TFM, UHMWPE (w/UHMWPE seats) | |
| 7 | Secondary Stem Seal | Graphite* | |
| 8 | Stem Seal | PTFE, TFM (Xtreme seated valves), UHMWPE (w/UHMWPE seats) | |
| 13 | Stem Bearing | PTFE (w/PTFE or Acetal seats), Filled PTFE (w/Xtreme seats), UHMWPE (w/UHMWPE seats) | |
| 16 | Hex Nut | 316 Stainless steel | |
| 17 | Handle | Carbon steel (Zinc plated) | 300 Series Stainless steel |
| 19 | Lock Washer | 300 Series Stainless steel | |
| 20 | Compression Plate | 316 Stainless steel (Monel® if chlorine) | |
| 22 | Identification Tag† | 316 Stainless steel | |
| 25 | Socket Cap Screw | 316 Stainless steel | |
| 26 | Handle Stop Spacer | 316 Stainless steel | |
| 29 | Hex Cap Screw | 316 Stainless steel (Monel if chlorine or NACE) | |
| 31 | Disc Springs | Inconel | |

* Item 7 not applicable in non-Fire-Tite valves

Requires 17-4 PH stem

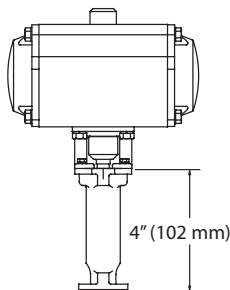
† ASME Valves

ACCESSORIES

Bonnet Extension

SE-096, 097 & 098

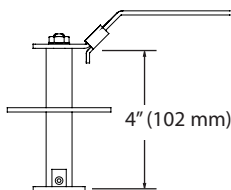
4" (102 mm) bonnet extensions are available for applications that require insulated pipe, particularly useful for automated products, bonnet extension can also be used to prevent interference between actuators and companion pipelines and equipment. They are ideal as extension that require locking lever or locking oval handle capability. Stainless steel construction offers the option of using the bonnet extension to enhance the carbon steel stem extension (SE-093, 094 & 095) offerings.



Stem Extensions

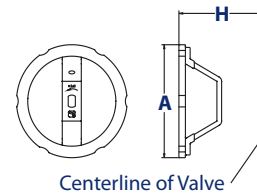
SE-093, 094 & 095

A standard 4" (102 mm) stem extension is offered for improved accessibility, particularly when used in insulated pipelines. Stem extension kits can be ordered factory-mounted or shipped separately for field mounting.



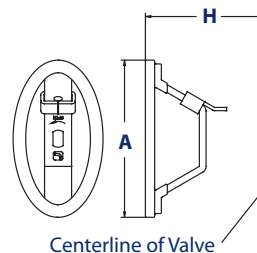
Round Handles

Optional round handles available. To order handles separately, specify the part number shown in the accessories table below.



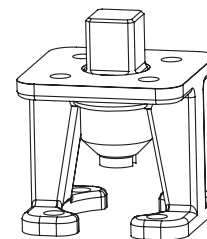
Oval handles with slide-lock

Optional oval handle saves space and may be padlocked to retain the valve in the open or closed position.



Stainless steel linkages for Jamesbury ISO Actuators

- Self aligning
- Engineered for optimum stem seal performance



| Accessories Table - inches (DN/mm) | | | | | | | | |
|------------------------------------|--------------|-----------|--------------|-------------|-------------------|--------------|-----------------------------|---------|
| Valve Size Standard Bore | Bonnet Ext.* | Stem Ext. | Locking Oval | Round | Round/Oval Handle | | Allowable Max.Torque FT·LBS | |
| | | | | | Dimension A | Dimension H | Round | Oval |
| 1/4 – 1/2 (8 – 15) | SE-096 | SE-093 | 112-0108-30 | 112-0105-30 | 4.00 (101.6) | 2.96 (75.2) | 9 (14) | 9 (14) |
| 3/4 (20) | SE-096 | SE-093 | 112-0108-30 | 112-0105-30 | 4.00 (101.6) | 3.11 (79.0) | 9 (14) | 9 (14) |
| 1 (25) | SE-097 | SE-094 | 112-0109-30 | 112-0106-30 | 4.50 (114.3) | 3.70 (94.0) | 18 (25) | 18 (25) |
| 1-1/4 (32) | SE-097 | SE-094 | 112-0109-30 | 112-0106-30 | 4.50 (114.3) | 3.83 (97.3) | 18 (25) | 18 (25) |
| 1-1/2 (40) | SE-098 | SE-095 | 112-0110-30 | 112-0107-30 | 5.75 (146.0) | 4.75 (120.7) | 25 (34) | 25 (34) |
| 2 (50) | SE-098 | SE-095 | 112-0110-30 | 112-0107-30 | 5.75 (146.0) | 4.94 (125.5) | 25 (34) | 25 (34) |

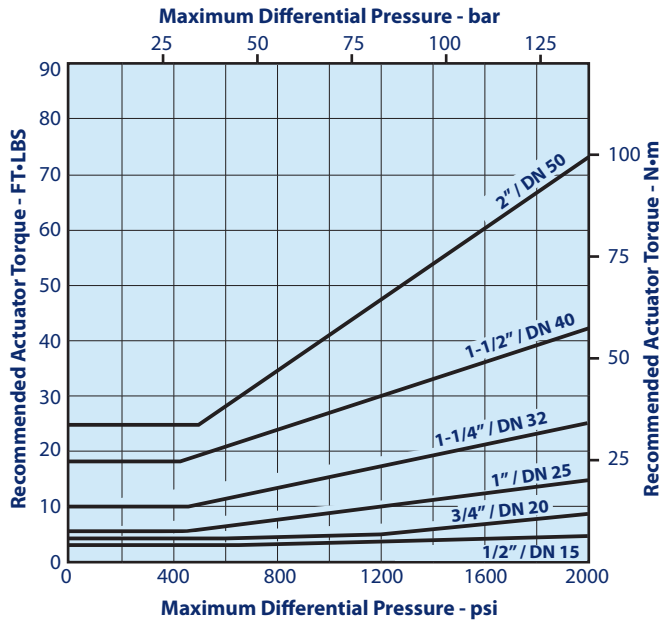
* For valves with Acetal seats, use bonnet extension SE-096, SE-097, SE-098

VALVE TORQUE DATA

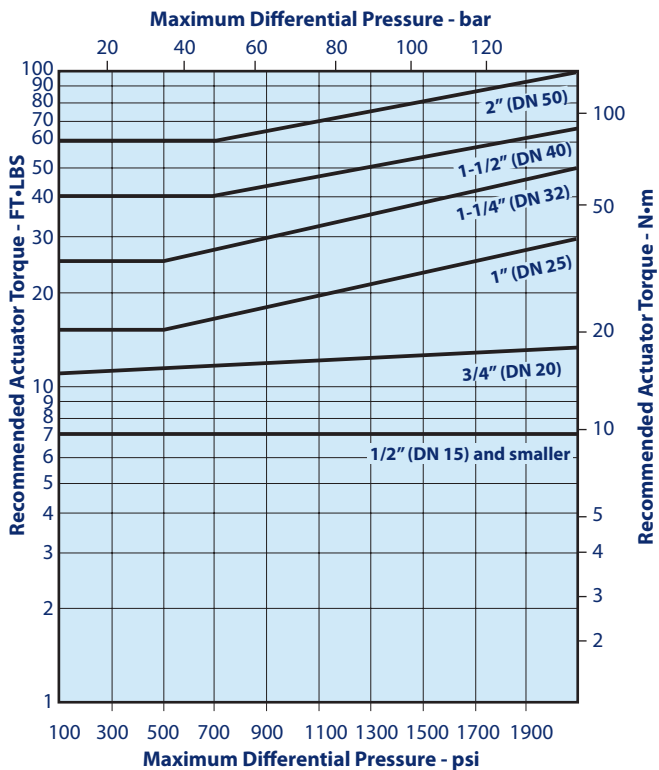
These torque charts for Eliminator valves are to be used as a guide for actuator selection. Additional requirements may be imposed by media characteristics, trim, and frequency of valve operation. For clean lubricating fluid service, required torque of Xtreme (X), and PTFE (T) seated valves only may be reduced 20% when the valve is equipped with corrosion

resistant trim. For difficult services such as slurries and semi-solids, and for oxygen, increase values by 50%. If in doubt, select the larger actuator. Torque output values and actuator selection tables for the different types of Jamesbury actuators are contained in the bulletins listed on Page 7.

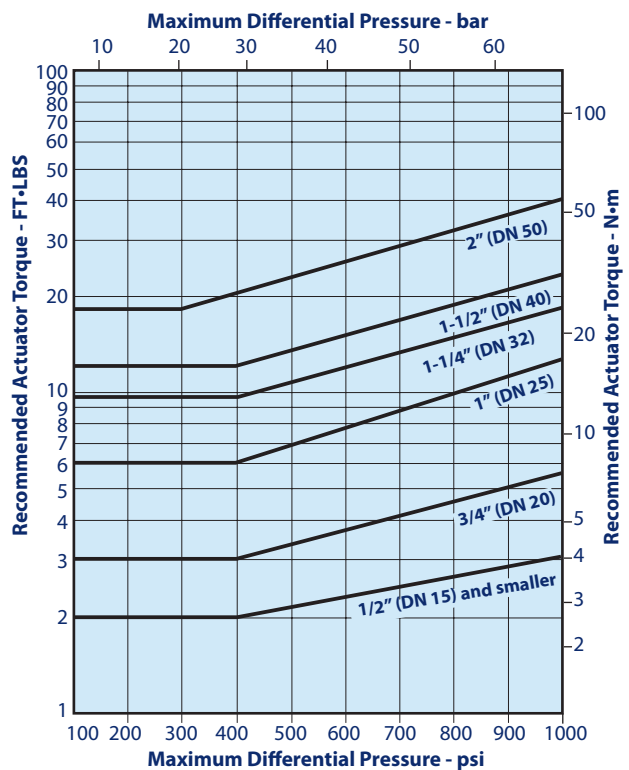
Xtreme (X) Seated Standard-Port Valves



Acetal Seated Valves

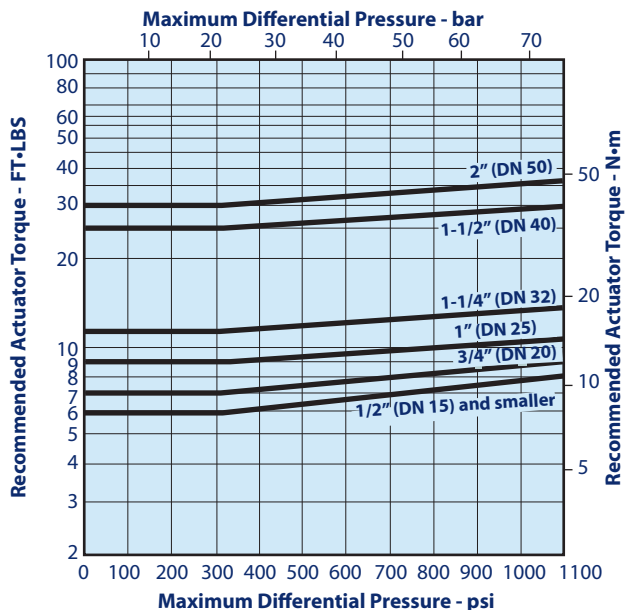


PTFE (T) Seated Valves



VALVE TORQUE DATA (CONTINUED)

UHMW (U) Polyethylene Seated Standard Port Valves



Actuators

Neles offers a full line of integrally designed actuators for automated systems or for easier control of inaccessible or remote valves. Pneumatic actuators that include doubleacting and spring-return piston, vane and rack and pinion units, spring-diaphragm types, and electric actuators are available for all valves. Electric actuators are available in both watertight and hazardous location models. For further information on actuators for Eliminator valves, see the following:

Type

- Spring Diaphragm Rotary Actuators
- Double Opposed Piston Actuators
- V-Series Electric Actuators
- ADC-Series Electric Actuators

Bulletin

- A110-4
- A111-5
- V200-1
- V201-1

STANDARDS AND SPECIFICATIONS

Eliminator valves are available in types that meet the following industry specifications.

| Specification | Description |
|---------------|---|
| ASME B1.20.1 | Pipe Threads |
| ASME B16.11 | Steel Fitting Socket Welding and Thread |
| ASME B16.34 | Valves-Flanged and Butt-welding Ends |
| ASME B31.4 | Liquid Petroleum Piping |
| API 598 | Valve Inspection and Testing |
| API 607 | Fire Test for Soft-seated Valves (Div. of Refining) |

| Specification | Description |
|-------------------|---|
| API 608 | Metal Ball Valves, Flanged, Threaded and Welded End |
| MSS SP-25 | Standard Marking System for Valves |
| MSS SP-25 | Quality Standard for Steel Fittings for Valves |
| NACE MR-0103-2003 | Materials Resistant to Sulfide Stress Cracking in Corrosive Petroleum Refining Environments |

Flow Data

The table below provides flow coefficients of reduced port Eliminator valves. The C_v values represent the flow of water at +60°F through the valve in gallons per minute at a pressure drop of 1 psi. The metric equivalent, K_v , is the flow of water at 16°C through the valve in cubic meters per hour at a pressure drop of 1kg/cm². To convert C_v to K_v multiply by 0.8569.

| Valve Size | | C_v | Equivalent length of pipe - ft. |
|------------|----|-------|---------------------------------|
| inches | DN | | |
| 1/4 | 8 | 6 | .33 |
| 3/8 | 10 | 10 | .61 |
| 1/2 | 15 | 13 | 1.5 |
| 3/4 | 20 | 33 | 1.1 |
| 1 | 25 | 44 | 2.1 |
| 1-1/4 | 32 | 46 | 8.4 |
| 1-1/2 | 40 | 95 | 4.5 |
| 2 | 50 | 111 | 12.0 |

HOW TO ORDER ELIMINATOR BALL VALVES

WARNING:

As the use of the valve is application specific, a number of factors should be taken into account when selecting a valve for a given application. Therefore, some of the situations in which the valves are used are outside the scope of this manual. If you have any questions concerning the use, application or compatibility of the valve with the intended service, contact Neles for more information.

| 1 | 2 | 3 | 4 | 5 | 6 | 7 | 8 |
|-------|----|---|---|----|----|----|---|
| 1-1/2 | 9F | A | - | 22 | 36 | XT | B |

Example: This example is for a 1-1/2" Fire-Tite ASME Class 600 NPT ball valve constructed of carbon steel body, stainless steel ball and stem, Xtreme seats, TFM seals, Model Code B.

| 1 | Valve Size | |
|-------|------------|----|
| | inches | DN |
| 1/4 | 1/4 | 8 |
| 3/8 | 3/8 | 10 |
| 1/2 | 1/2 | 15 |
| 3/4 | 3/4 | 20 |
| 1 | 1 | 25 |
| 1-1/4 | 1-1/4 | 32 |
| 1-1/2 | 1-1/2 | 40 |
| 2 | 2 | 50 |

| 2 | Valve Size & Configuration |
|-----|----------------------------|
| 9F* | Fire-Tite Standard |
| 9N | Non-Fire-Tite |

| 3 | Pressure Class Conformance |
|-----|----------------------------------|
| A* | ASME Class |
| B | Non-ASME-Class |
| M** | ASME Class with Metric Nameplate |

| 4 | Special Application/Construction or Service |
|------|---|
| — | Standard |
| O | Oxygen |
| N | NACE MR0103 |
| C | Chlorine |
| V | High Vacuum |
| VC | High Vacuum Certified |
| TG | Top Ground |
| STGR | Top & Bottom Ground |

| 5 | Body Material |
|-----------------|----------------------------|
| 22 ² | Carbon Steel (WCB) |
| 36 ² | 316 Stainless Steel (CF8M) |

| 6 | Ball & Stem Material |
|-----------------|--|
| 00 | Same material as body (Carbon steel not available) |
| 36 ² | 316 Stainless Steel |
| 71 ² | Monel |
| 73 | Hastelloy C |
| HB ² | 316 SS Ball/17-4PH Stem |

| 7 | Seat & Seal Material | |
|-----------------------------------|--|--------------------|
| | Seats | Seal (Stem & Body) |
| Standard Fire-Tite Options | | |
| TT | PTFE | PTFE & TFM |
| XT | Xtreme | TFM |
| Non-Fire-Tite Options | | |
| UU | UHMW Polyethylene | UHMW PE |
| RT ¹ | Acetal (Not for ASME, 17-4 PH stem required) | PTFE & TFM |

| 8 | Valve Model |
|---|--------------------|
| B | Eliminator Model B |

* For seal welded valves specify ASME Class (A) in box 3.

** Valves larger than 1" (DN 25) are CE marked.

¹ Not a self-relieving seat design.

² Material meets NACE requirements for sour environments. For valves to be in full compliance with NACE, both the body (sign #5) and trim (sign #6) must meet the NACE requirement.

Monel® is a registered trademark of Inco

Hastelloy® is a registered trademark of Haynes International

Subject to change without prior notice. Neles, Jamesbury and Easyflow by Neles, and certain other trademarks, are either registered trademarks or trademarks of Neles Corporation or its subsidiaries or affiliates in the United States and/or in other countries. For more information www.neles.com/trademarks

Neles

Vanha Porvoontie 229, 01380 Vantaa, Finland.
Tel. +358 10 417 5000.

neles.com

Reinventing
reliability