

NELES

Ball valves series 3000

1/4" – 2" (DN 6 – 50)

Installation, maintenance and
operating instructions

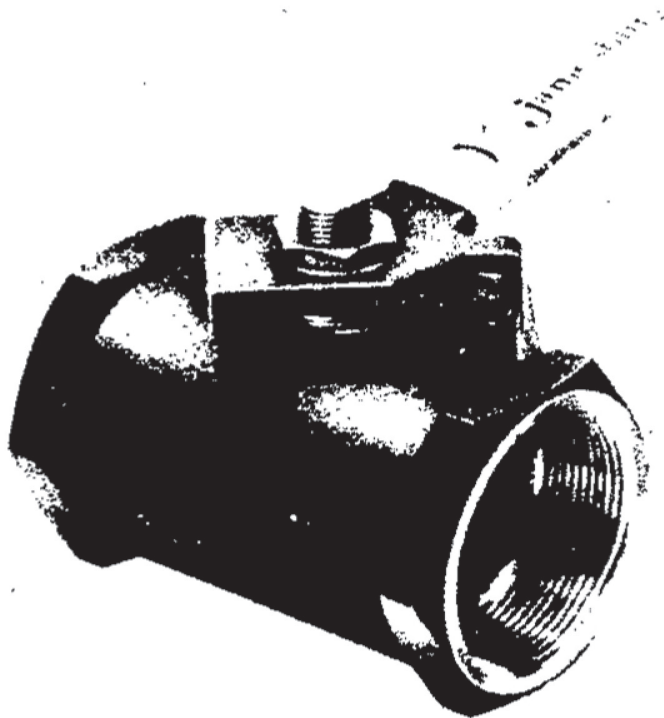


Table of Contents

1. GENERAL	3
1.1 Warning	3
2. INSTALLATION	3
3. MAINTENANCE	3
4. REPAIR KITS/SPARE PARTS	3

READ THESE INSTRUCTIONS FIRST!

These instructions provide information about safe handling and operation of the valve.

If you require additional assistance, please contact the manufacturer or manufacturer's representative.

SAVE THESE INSTRUCTIONS!

Addresses and phone numbers are printed on the back cover.

1. GENERAL

This instruction manual contains important information regarding the installation, maintenance and troubleshooting of the Jamesbury 1/4" – 2" (DN 6 – 50) series 3000 ball valves. Please read these instructions carefully and save them for future reference.

1.1 Warning

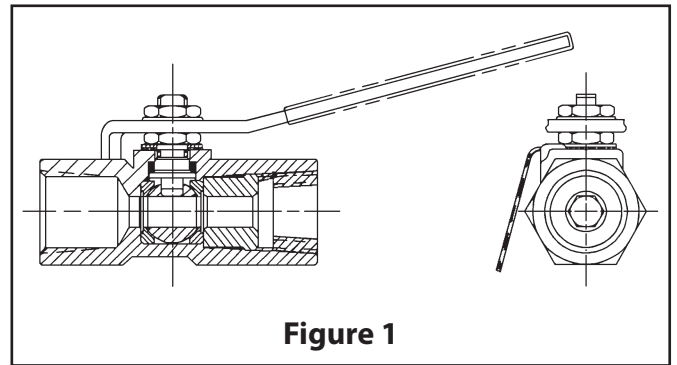
FOR YOUR SAFETY, IT IS IMPORTANT THAT THE FOLLOWING PRECAUTIONS BE TAKEN PRIOR TO INSTALLATION, ANY SERVICING OR REMOVAL OF THE VALVE FROM THE LINE OR BEFORE ANY DISASSEMBLY:

1. WEAR ANY PROTECTIVE CLOTHING OR EQUIPMENT NORMALLY REQUIRED WHEN WORKING WITH THE FLUID INVOLVED.
2. WHEN REMOVING THE VALVE FROM THE LINE, DEPRESSURIZE THE LINE AND CYCLE THE VALVE AS FOLLOWS:
 - A. PLACE THE VALVE IN THE OPEN POSITION AND DRAIN THE LINE.
 - B. CYCLE THE VALVE TO RELIEVE RESIDUAL PRESSURE IN THE BODY CAVITY BEFORE REMOVAL FROM THE LINE.
 - C. AFTER REMOVAL AND BEFORE ANY DISASSEMBLY, CYCLE THE VALVE AGAIN SEVERAL TIMES.
3. SEAT AND BODY RATINGS: THE PRACTICAL AND SAFE USE OF THIS PRODUCT IS DETERMINED BY BOTH THE SEAT AND BODY RATING. READ THE NAME TAG AND CHECK THE RATINGS ON BOTH THE NAME TAG AND THE BODY. THIS PRODUCT IS AVAILABLE WITH A VARIETY OF SEAT MATERIALS. SOME OF THE SEAT MATERIALS HAVE PRESSURE RATINGS THAT ARE LESS THAN THE BODY RATINGS. ALL OF THE BODY AND SEAT RATINGS ARE DEPENDENT ON VALVE AND SEAT SIZE, MATERIAL AND TEMPERATURE. DO NOT EXCEED THESE RATINGS.
4. IT IS IMPORTANT TO REFER TO THE TAG FASTENED ON EACH VALVE FOR THE PRESSURE RATING AND MATERIAL DESCRIPTION. IF THE TAG IS MISSING, CONTACT JAMESBURY FOR RATINGS.
5. THESE VALVES ARE SUITABLE FOR A WIDE VARIETY OF FLUIDS AND GASES. BE CERTAIN THAT THE MATERIALS SELECTED ARE SUITABLE FOR THE APPLICATION.

NOTE: ROUND HANDLES ARE OPTIONALLY AVAILABLE FOR THESE VALVES IN PLACE OF LEVER HANDLES.
6. THESE VALVES ARE DESIGNED FOR MANUAL USE ONLY AND ARE NOT INTENDED FOR AUTOMATION. DO NOT FABRICATE OR ADD ON ANY TYPE OF AUTOMATING ACCESSORY.

2. INSTALLATION

1. Read the **WARNING** Section.
2. If there is weepage past the stem seal upon installation, it means that valve may have been subject to wide temperature variations in shipment. Leak tight performance will be restored by a simple packing adjustment described in the **MAINTENANCE** Section. Flow through the Jamesbury Series 3000 valve can be in either direction, but the preferred way to install the valve is with the insert end upstream.
3. The Series 3000 is an end entry design with an internal insert as shown in **(Figure 1)**. The insert contains a hex or slot drive which can be identified by looking into the end of the valve before installation. Although the Series 3000 valve may be disassembled it is not considered repairable. If valves with Monel® or Hastelloy C® trim require repair, contact the factory.



3. MAINTENANCE

1. Read the **WARNING** Section.
2. Routine maintenance consists of tightening the lower stem nut 1/4 turn periodically to compensate for the wear caused by the stem's turning against the resilient PTFE seal. Loosen the upper stem nut before tightening the lower stem nut. Retighten the upper stem nut after tightening the lower stem nut.

4. REPAIR KITS/SPARE PARTS

For further information on spare parts and service or assistance visit our web-site at www.jamesbury.com.

Neles

Vanha Porvoontie 229, 01380 Vantaa, Finland.
Tel. +358 10 417 5000.

neles.com

IMO-204EN - 11/2020

Subject to change without prior notice. Neles, Jamesbury and Easyflow by Neles, and certain other trademarks, are either registered trademarks or trademarks of Neles Corporation or its subsidiaries or affiliates in the United States and/or in other countries. For more information www.neles.com/trademarks

Reinventing
reliability