

MTO

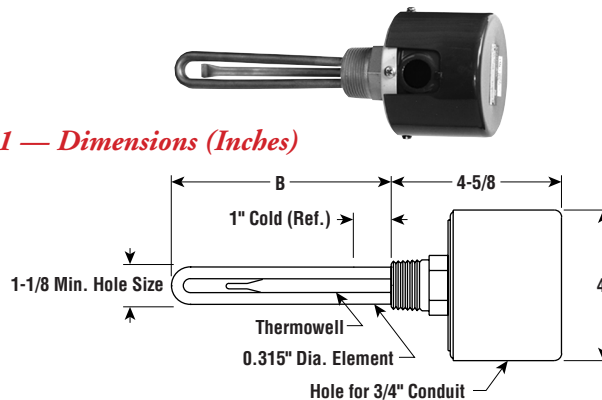
Light Weight Oil Applications



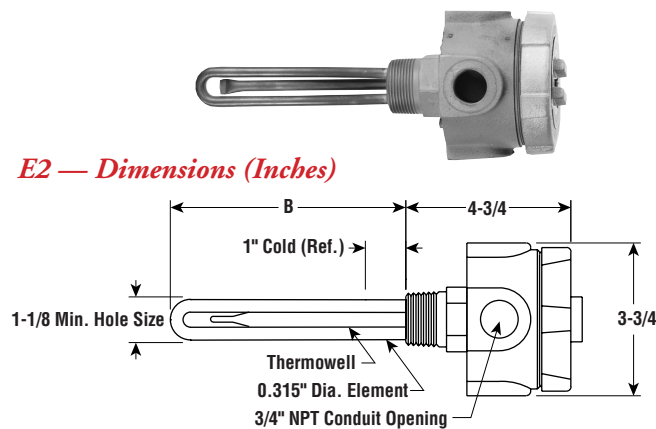
SCREW PLUG

- 1" NPT Steel Screw Plug
- Steel Sheath Element
- 20 W/In²
- 0.25 - 1.5 kW
- Without Thermostat
- 120 and 240 Volt, Single Phase
- General Purpose or Moisture Resistant/Explosion Resistant Terminal Enclosure

E1 — Dimensions (Inches)



E2 — Dimensions (Inches)



FASTShip

Same-day shipping on stock item orders received before 4 pm CST. 3-day shipping on assembly-stock items.

Specifications and Ordering Information

						E1 General Purpose ¹				E2 Moisture Resistant/Explosion Resistant ²			
kW	Volts	Phase	W/In ²	No. Elem.	DIM B (In.)	Model	Stock	PCN	Wt. (Lbs.)	Model	Stock	PCN	Wt. (Lbs.)
0.25	120	1	20	1	6-1/2	MTO-250	AS	037962	2	MTO-250E2	AS	038050	5
0.375	120	1	20	1	9-1/2	MTO-375	AS	037970	3	MTO-375E2	AS	038068	6
0.375	240	1	20	1	9-1/2	MTO-375	AS	037989	3	MTO-375E2	AS	038076	6
0.5	120	1	20	1	12-1/2	MTO-500	AS	037997	3	MTO-500E2	AS	038084	6
0.5	240	1	20	1	12-1/2	MTO-500	AS	038009	3	MTO-500E2	AS	038092	6
1	120	1	20	1	25	MTO-1000	AS	038017	4	MTO-1000E2	AS	038105	7
1	240	1	20	1	25	MTO-1000	AS	038025	4	MTO-1000E2	AS	038113	7
1.5	120	1	20	1	38	MTO-1500	AS	038033	4	MTO-1500E2	AS	038121	7
1.5	240	1	20	1	38	MTO-1500	AS	038041	4	MTO-1500E2	AS	038130	7

Stock Status: S = stock AS = assembly stock NS = non-stock
To Order—Specify model, volts, phase, kW, PCN and quantity.

1. Heaters with General Purpose Enclosures are UL Recognized and CSA Certified.
2. Heaters with Moisture Resistant/Explosion Resistant Enclosures are CSA NRTL/C Certified.