

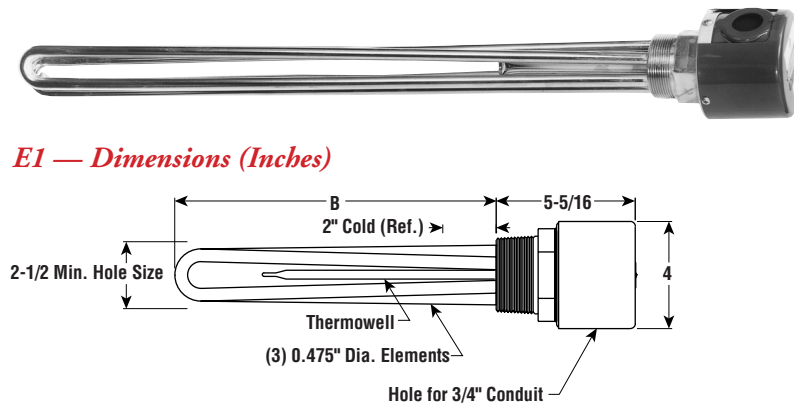
MTO-3

Medium Weight Oil Applications

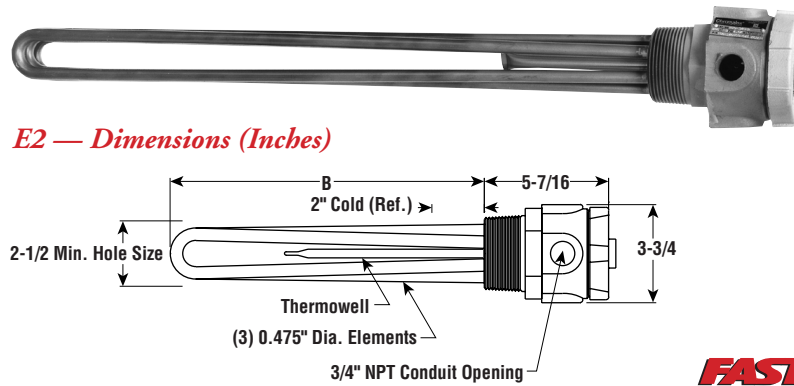


- 2-1/2" NPT Steel Screw Plug
- Steel Sheath Elements
- 15 W/In²
- 3 - 9 kW
- Without Thermostat
- 240 and 480 Volt, Three Phase
- General Purpose or Moisture Resistant/Explosion Resistant Terminal Enclosure

E1 — Dimensions (Inches)



E2 — Dimensions (Inches)



Same-day shipping on stock item orders received before 4 pm CST. 3-day shipping on assembly-stock items.

Specifications and Ordering Information

						E1 General Purpose ¹				E2 Moisture Resistant/Explosion Resistant ²			
kW	Volts	Phase	W/In ²	No. Elem.	DIM B (In.)	Model	Stock	PCN	Wt. (Lbs.)	Model	Stock	PCN	Wt. (Lbs.)
3	240	3	15	3	24-3/8	MTO-303	AS	324021	6	MTO-303E2	AS	324030	9
3	480	3	15	3	24-3/8	MTO-303	AS	324048	6	MTO-303E2	AS	324056	9
4	240	3	15	3	32-1/4	MTO-304	AS	324064	9	MTO-304E2	AS	324072	12
4	480	3	15	3	32-1/4	MTO-304	AS	324080	9	MTO-304E2	AS	324099	12
5	240	3	15	3	39-3/4	MTO-305	AS	324101	10	MTO-305E2	AS	324110	13
6	240	3	15	3	47-1/4	MTO-306	AS	324128	11	MTO-306E2	AS	324136	14
6	480	3	15	3	47-1/4	MTO-306	AS	324144	11	MTO-306E2	AS	324152	14
7.5	240	3	15	3	57	MTO-307	AS	324160	14	MTO-307E2	AS	324179	17
9	240	3	15	3	67-1/4	MTO-309	AS	324187	15	MTO-309E2	AS	324195	18

Stock Status: S = stock AS = assembly stock NS = non-stock
To Order—Specify model, volts, phase, kW, PCN and quantity.

1. Heaters with General Purpose Enclosures are UL Recognized and CSA Certified.
2. Heaters with Moisture Resistant/Explosion Resistant Enclosures are CSA NRTL/C Certified.