

MF

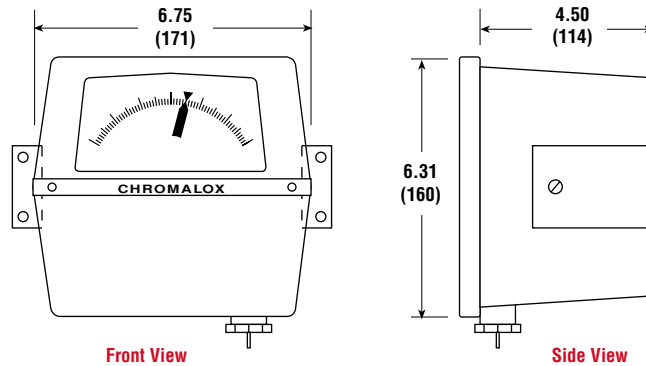
Indicating Temperature Controller



- Indicating with Calibrated Dial
- -30 to +1100°F Temperature Range
- Temperature Control of Any Electrically Heated or Cooled Solids, Liquids or Gases
- Stainless Steel Bulb
- Sturdy Die-Cast Aluminum Housing
- Mercury-Filled Thermal Sensor
- UL Listed



Dimensions



Features

- Mounting can be flush or surface on two angle brackets provided.
- Snap-action switches. 3-wire single pole, double-throw (SPDT). Current ratings: 4 Amps, 120 Vac; 2 Amps, 240 Vac.
- Accurate to $\pm 1\%$ of scale range.
- Pilot Duty Rating 50 VA for 120 - 240 Vac
- Packing glands for sealing capillary connection to oven, tank, pipe or other application are available as optional accessories. Specify at time of order.

WARNING: Hazard of Fire. These controls function as temperature controls only. Because they do not fail-safe, an approved temperature and/or pressure safety control must be used for safe operation.

All Dimensions in Inches (mm)
See table below for Bulb Dimensions

Ordering Information

Temp. Range (°F)	Bulb Dimensions (In.)		Bib. Mtl.	Cap. Lgth. (Ft.)	Indicating Type MF			
	Dia.	Lgth.			Model	Stock	PCN	Wt. (Lbs.)
-30 to +170 ¹	3/8	14-3/8	SST	5	MF7-094-52-05-20	NS	226026	7
-30 to +170 ¹	3/16	72	SST	5	MF7-094-52-05-16	NS	226042	7
50-250 ²	3/8	14-11/16	SST	5	MF7-101-51-05-20	S	140687	7
50-250 ²	3/8	14-11/16	SST	10	MF7-101-51-10-20	NS	226077	7
50-250 ²	3/16	74	SST	5	MF7-101-51-05-16	NS	226106	7
50-250 ²	3/16	74	SST	10	MF7-101-51-10-16	NS	226114	7
100-350 ³	3/8	12-3/16	SST	5	MF7104-51-05-20	NS	226122	7
100-350 ³	3/16	61	SST	5	MF7104-51-05-16	NS	226149	7
100-650 ⁴	3/8	5-15/16	SST	5	MF7-109-51-05-20	S	140724	7
100-650 ⁴	3/8	5-15/16	SST	10	MF7-109-51-10-20	NS	226157	7
100-650 ⁴	3/16	28	SST	5	MF7-109-51-05-16	NS	226173	7
100-800 ⁵	3/8	4-27/32	SST	5	MF7-111-51-05-20	NS	226202	7
100-800 ⁵	3/8	4-27/32	SST	5	MF7-111-51-10-20	NS	226210	7
100-800 ⁵	3/16	22	SST	5	MF7-111-51-05-16	NS	226237	7
100-1000 ⁶	3/8	3-15/16	SST	5	MF7-113-51-05-20	S	140740	7
100-1000 ⁶	3/8	3-15/16	SST	10	MF7-113-51-10-20	NS	226253	7
100-1000 ⁶	3/16	18	SST	5	MF7-113-51-05-16	NS	226261	7
100-1100 ⁷	3/8	3-5/8	SST	5	MF7-115-51-05-20	NS	226270	7
100-1100 ⁷	3/16	16	SST	5	MF7-115-51-05-16	NS	226288	7

Stock Status: S = stock AS = assembly stock NS = non-stock

°C Temperature Ranges:

1. -30 to +75°C	3. 40 - 175°C	5. 40 - 425°C	7. 40 - 600°C
2. 10 - 120°C	4. 40 - 340°C	6. 40 - 540°C	