

GCHIS, GCHISB & GCHISR

High Temperature Gas Applications to 1200°F¹

Specifications and Ordering Information

kW	Volts	Ckt & Phase	Dimensions (In.)			Model	Stock	PCN	Wt. (Lbs.)
			A	B	C				
Series 03 — 3 inch, 150 lb 304 stainless steel vessel — 3 INCOLOY® elements (15 W/In²) with side mounted thermostat (200 to 550°F) — 1" NPT pipe inlet and outlet¹									
2	240	1-3	33-1/4	22-1/2	16-1/2	GCHISR-03-002P-E1	AS	012280	62
2	480	1-3	33-1/4	22-1/2	16-1/2	GCHISR-03-002P-E1	AS	012298	62
4	240	1-3	55-3/4	45	36	GCHISR-03-004P-E1	AS	012300	94
4	480	1-3	55-3/4	45	36	GCHISR-03-004P-E1	AS	012319	94
Series 06 — 5 inch, 150 lb 304 stainless steel vessel — 6 INCOLOY® elements (15 W/In²) with side mounted thermostat (200 to 550°F) — 2" NPT pipe inlet and outlet¹									
4	240	1-3	41-3/4	30	11-3/8	GCHISR-06-004P-E1	AS	012327	135
4	480	1-3	41-3/4	30	11-3/8	GCHISR-06-004P-E1	AS	012335	135
8	240	1-3	48-3/4	37	14-7/8	GCHISR-06-008P-E1	AS	012343	164
8	480	1-3	48-3/4	37	14-7/8	GCHISR-06-008P-E1	AS	012351	164
12	240	1-3	60-1/4	48-1/2	20-5/8	GCHISR-06-012P-E1	AS	012360	195
12	480	1-3	60-1/4	48-1/2	20-5/8	GCHISR-06-012P-E1	AS	012378	195
15	240	1-3	73-5/8	61-7/8	27-5/16	GCHISR-06-015P-E1	AS	021733	215
15	480	1-3	73-5/8	61-7/8	27-5/16	GCHISR-06-015P-E1	AS	021741	215
20	240	1-3	86-5/8	74-7/8	33-7/8	GCHISR-06-020P-E1	AS	021750	253
20	480	1-3	86-5/8	74-7/8	33-7/8	GCHISR-06-020P-E1	AS	021768	253
Series 06 — 5 inch, 150 lb 304 stainless steel vessel — 6 INCOLOY® elements (23 W/In²) with side mounted thermostat (200 to 550°F) — 2" NPT pipe inlet and outlet¹									
25	240	2-3	73-5/8	61-7/8	27-5/16	GCHIS-06-025P-E1	AS	012386	195
25	480	1-3	73-5/8	61-7/8	27-5/16	GCHIS-06-025P-E1	AS	012394	195
30	240	2-3	86-5/8	74-7/8	33-7/8	GCHIS-06-030P-E1	AS	012407	240
30	480	1-3	86-5/8	74-7/8	33-7/8	GCHIS-06-030P-E1	AS	012415	240
Series 18 — 8 inch, 150 lb 304 stainless steel vessel — 18 baffled INCOLOY® elements¹ (23 W/In²)									
30	240	3-3	50-1/8	28-1/2	25	GCHISB-18-030P-E1	NS	021856	340
30	480	3-3	50-1/8	28-1/2	25	GCHISB-18-030P-E1	NS	021864	340
40	240	3-3	54-5/16	32-11/16	29-3/16	GCHISB-18-040P-E1	NS	021872	410
40	480	3-3	54-5/16	32-11/16	29-3/16	GCHISB-18-040P-E1	NS	021880	410
50	240	3-3	61-5/16	39-11/16	36-3/16	GCHISB-18-050P-E1	NS	021899	480
50	480	3-3	61-5/16	39-11/16	36-3/16	GCHISB-18-050P-E1	NS	021901	480
Series 27 — 10 inch, 150 lb stainless steel vessel — 27 INCOLOY® elements¹ (20 W/In²)									
50	240	3-3	56-9/16	31	27-1/2	GCHIS-27-050P-E1	NS	024037	340
50	480	3-3	56-9/16	31	27-1/2	GCHIS-27-050P-E1	NS	024045	340
60	240	3-3	62-9/16	37	33-1/2	GCHIS-27-060P-E1	NS	024053	370
60	480	3-3	62-9/16	37	33-1/2	GCHIS-27-060P-E1	NS	024061	370
70	240	3-3	68-9/16	43	39-1/2	GCHIS-27-070P-E1	NS	024070	400
70	480	3-3	68-9/16	43	39-1/2	GCHIS-27-070P-E1	NS	024088	400
80	240	3-3	75-9/16	50	46-1/2	GCHIS-27-080P-E1	NS	024096	430
80	480	3-3	75-9/16	50	46-1/2	GCHIS-27-080P-E1	NS	024109	430
90	240	3-3	81-9/16	56	52-1/2	GCHIS-27-090P-E1	NS	024117	543
90	480	3-3	81-9/16	56	52-1/2	GCHIS-27-090P-E1	NS	024125	560

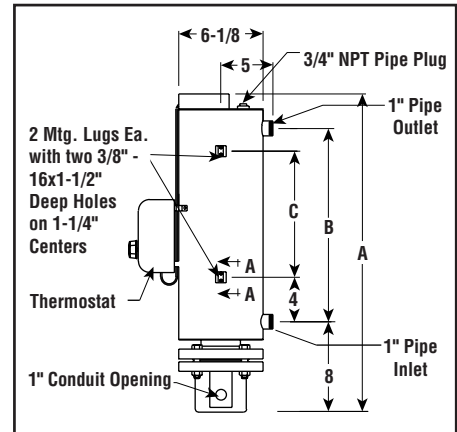
Stock Status: S = stock AS = assembly stock NS = non-stock
To Order—Specify model, volts, phase, kW, PCN and quantity.

- Recommended temperature limits for all GCH heaters with stainless steel vessels and INCOLOY® elements are 1600°F maximum for the sheath temperature and 1200°F maximum for the vessel temperature at 5 psi maximum pressure. Exceeding these recommendations will void the factory warranty. Outlet gas temperatures must be kept below both the maximum sheath and vessel temperatures or element and vessel damage may occur. Consult factory representative for assistance in determining the gas flow characteristics and proper heater selection.

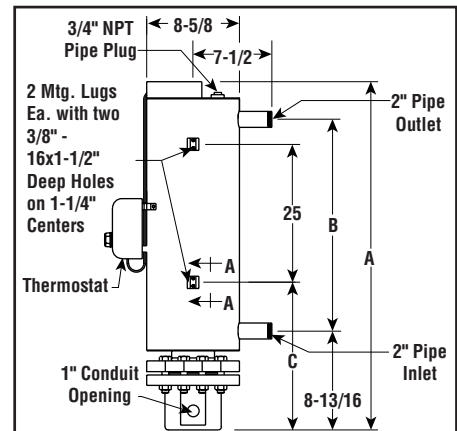
Other Note — Refer to the Controls section for side mounted controls or control panels.

Dimensions (Inches)

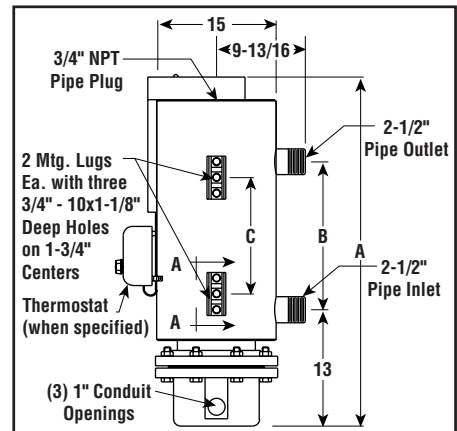
GCHIS-03



GCHIS-06



GCHISB-18



GCHIS & GCHISB

High Temperature Gas Applications to 1200°F¹ (cont'd.)

Specifications and Ordering Information

kW	Volts	Ckt & Phase	Dimensions (In.)					Model	Stock	PCN	Wt. (Lbs.)
			A	B	C	D	E				
Series 45 — 14 inch, 150 lb stainless steel vessel — 45 INCOLOY® elements¹ (15 W/In²)											
90	480	3-3	76	57-3/16	66-11/16	15	11-1/2	GCHIS-45-090P-E1	NS	024336	925
125	480	3-3	91	72-3/16	81-11/16	15	11-1/2	GCHIS-45-125P-E1	NS	024344	1,025
150	480	3-3	106	87-3/16	96-11/16	15	11-1/2	GCHIS-45-150P-E1	NS	024352	1,125
175	480	3-3	121	102-3/16	111-11/16	15	11-1/2	GCHIS-45-175P-E1	NS	024360	1,225
200	480	3-3	128-1/2	109-11/16	119-11/16	15	11-1/2	GCHIS-45-200P-E1	NS	024379	1,325

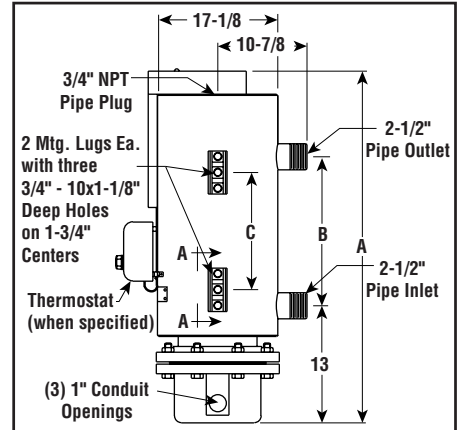
Stock Status: S = stock AS = assembly stock NS = non-stock
To Order—Specify model, volts, phase, kW, PCN and quantity.

- Recommended temperature limits for all GCH heaters with stainless steel vessels and INCOLOY® elements are 1600°F maximum for the sheath temperature and 1200°F maximum for the vessel temperature at 5 psi pressure maximum. Exceeding these recommendations will void the factory warranty. Outlet gas temperatures must be kept below both the maximum sheath and vessel temperature or element and vessel damage may occur. Contact your Local Chromalox Sales office to determine the gas flow characteristics and proper heater selection.

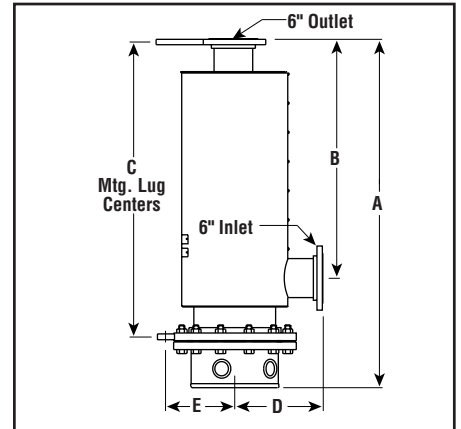
Other Note — Refer to the Controls section for side mounted controls or control panels.

Dimensions (Inches)

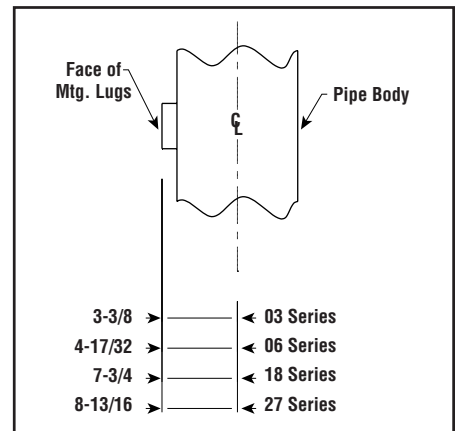
GCHIS-27



GCHIS-45



GCHIS-AA



Ordering Information

To Order — Complete the Model Number using the Matrix provided.

Model	High Temperature Gas to 1200°F ¹			
GCHIS	Gas Circulation Heater INCOLOY® Elements — Stainless Steel Vessel Internal Baffles			
B	Code	Number of Elements		
	03	Three		
	06	Six		
	18	Eighteen		
	27	Twenty Seven		
	45	Forty Five		
	Code	kW		
	002P	2	050P	50
	004P	4	060P	60
	008P	8	070P	70
	012P	12	075P	75
	015P	15	080P	80
	020P	20	090P	90
	025P	25	125P	125
	030P	30	175P	175
	040P	40	200P	200
	Code	Terminal Enclosure		
	E1	General Purpose		
	E2	Moisture Resistant/Explosion Resistant		
	E3	Explosion Resistant		
	E4	Moisture Resistant		
GCHIS	18	030P	E1	Typical Model Number

SOLUTIONS AND GAS