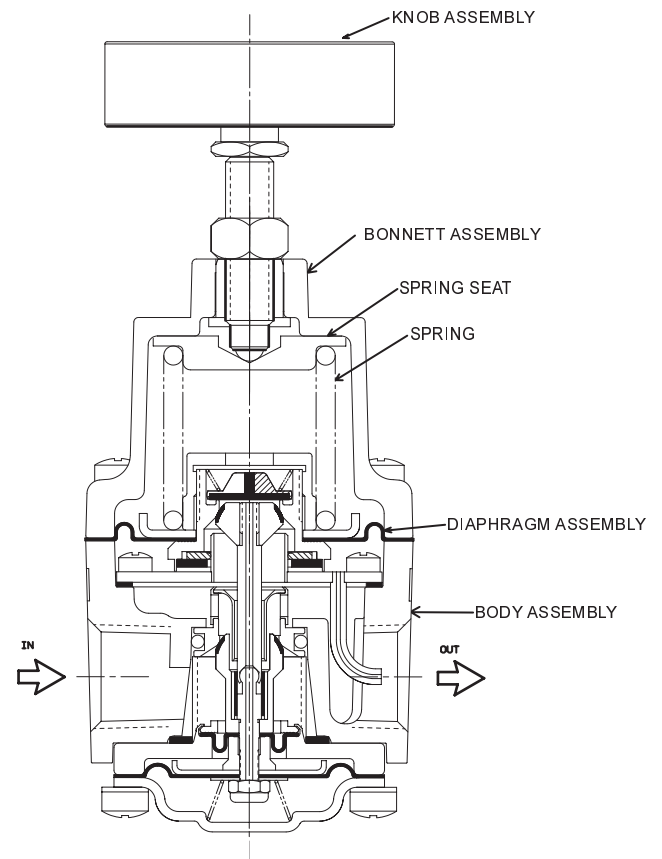


Model 1000

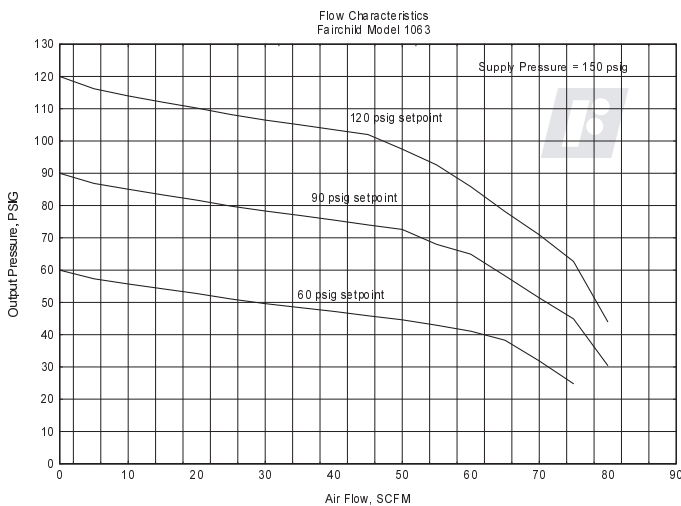
Precision Pressure Regulator



Cross Section Model 1000 Detail Drawing

General Information

- Stable operation that eliminates hunting and buzzing.
- Flow compensation provided by venturi action of the aspirator tube.
- Indirect operation provided by the action of a separate pilot valve and valve motor to eliminate unbalanced closing forces in inner valve assembly.
- Large correcting effect due to the sensitive pilot valve action that maintains constant pressure drop across the supply valve to assure immunity to supply pressure variations.
- No-Bleed design minimizes consumption of air or inert gas.
- Compact in size where space is limited.

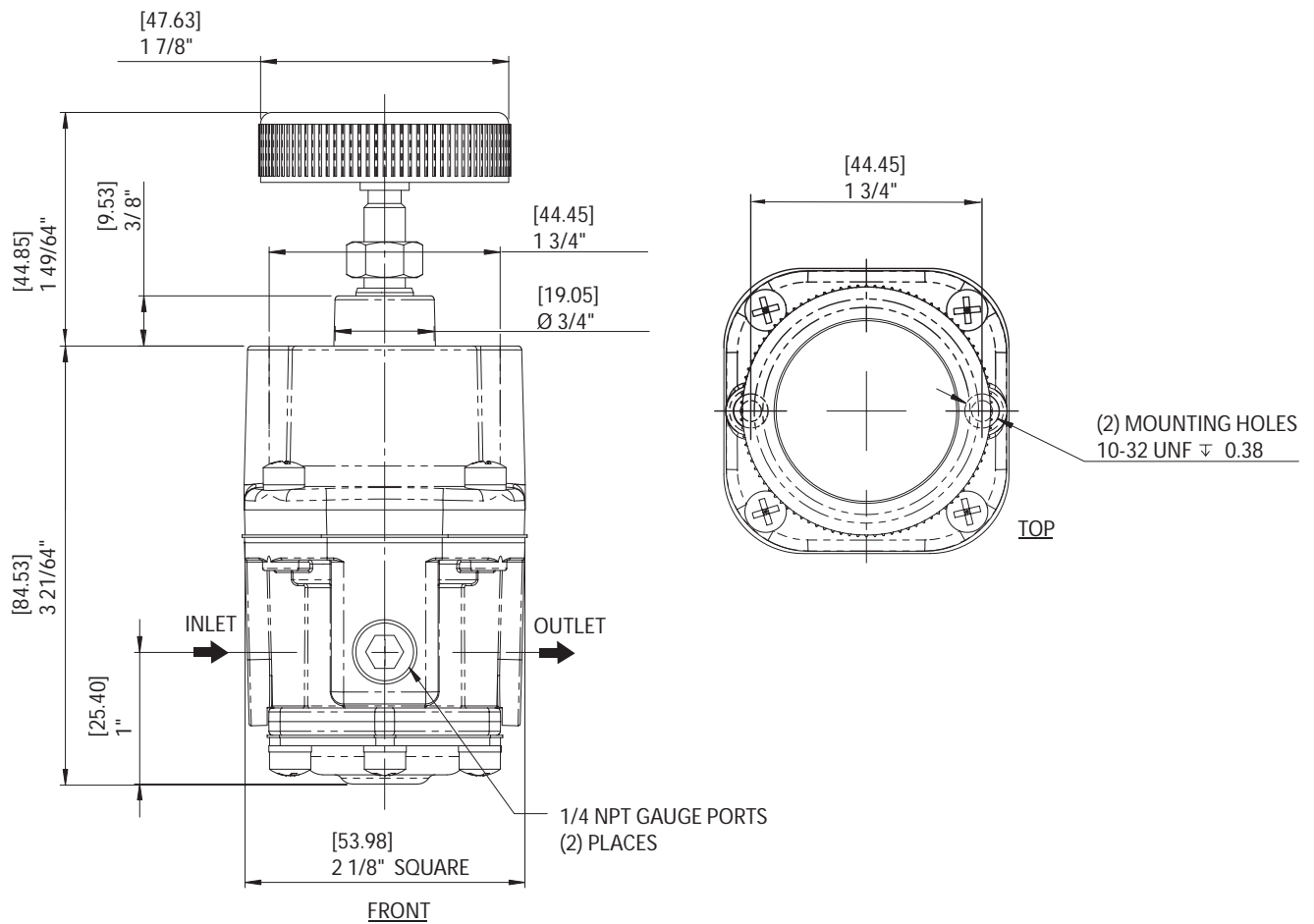


Operating Principles

The Model 1000 Precision Pressure Regulator is designed for use in systems requiring both precision control and high forward flow and exhaust capacity. The sensitive valve motor of this high quality unit makes it virtually immune to supply pressure variations.

The combination of high flow capacity and good sensitivity make the versatile control applications, including loading of control valve and calendar roll actuators, operation of clutch and braking devices, and winding operations.

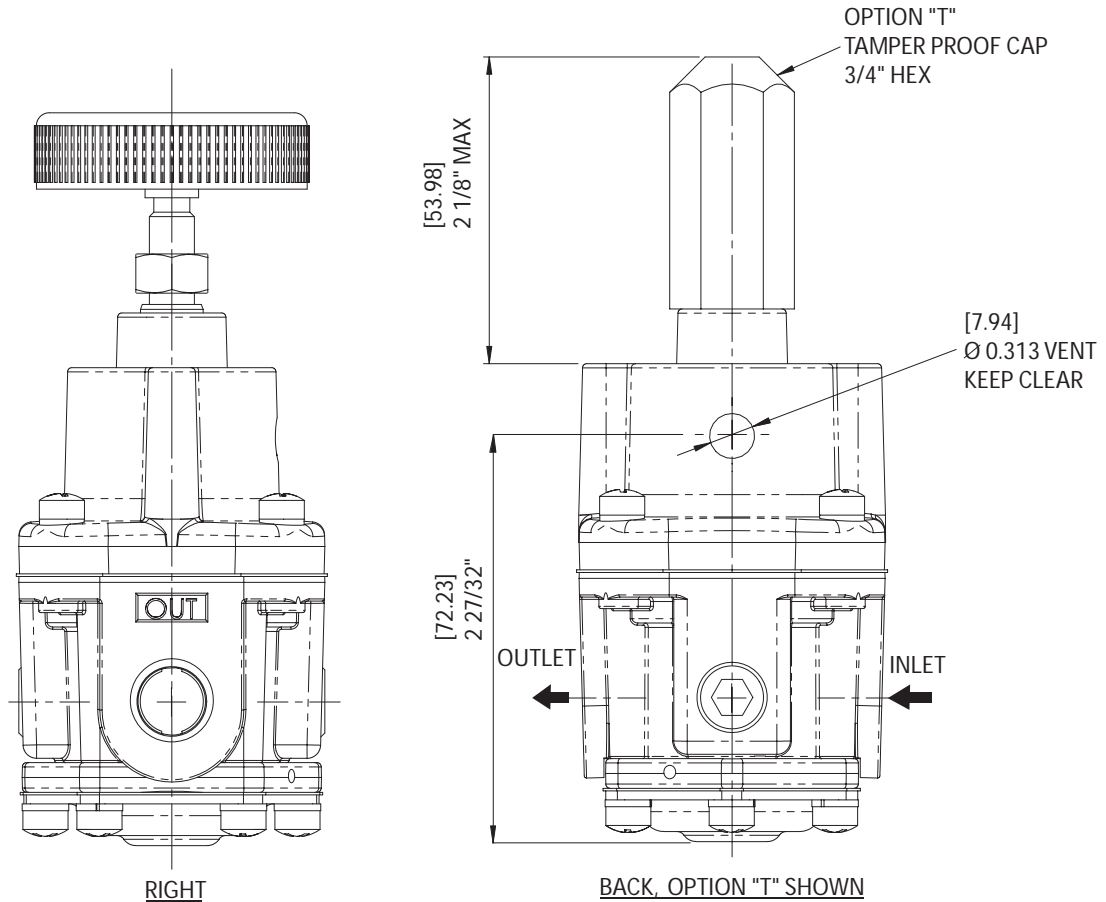
Outline Dimensions



Specifications

Flow Capacity	50 SCFM (85 m ³ /HR) (100 psig, [7.0 BAR], (700 kPa) supply, 20 psig, [1.5 BAR], (150 kPa) setpoint)
Exhaust Capacity	8 SCFM (13.6 m ³ /HR) for downstream pressure 5 psig, [.35 BAR], (35 kPa) above set pressure
Sensitivity	0.5" (1.27 cm) Water Column
Effect of supply pressure variation	0.1 psig, [.007 BAR], (.7 kPa) per 100 psig, [7.0 BAR], (700 kPa) change

Outline Dimensions

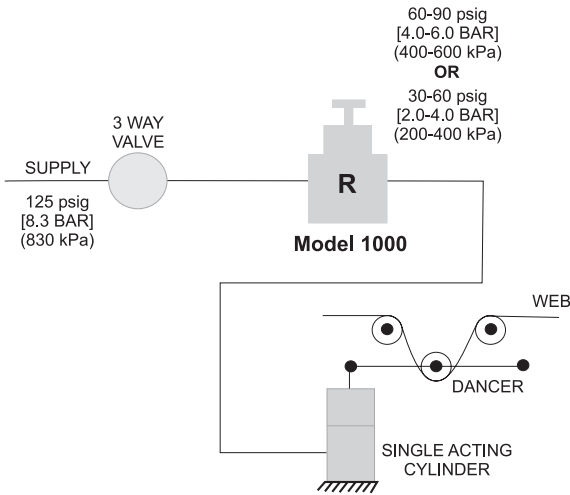


Specifications

Supply Pressure	250 psig, [17.0 BAR], (1700 kPa) maximum
Ambient Temperature Limits	-40°F to +200°F (-40°C to + 93.3°C)
Materials of Construction	BodyZinc DiaphragmsBuna N and Dacron TrimAluminum, Brass, Neoprene and Zinc-plated Steel

Typical Application

In this application, a Model 1000 is used to supply air to a cylinder which controls tension on a dancer roll. The Model 1000 was chosen because its high exhaust capacity meets the quick exhaust requirements of the cylinder.



Service Kit

A Service Kit is available for the Model 1000 Precision Pressure Regulator. Please refer to the *Fairchild Model 1000 Installation, Operation and Maintenance Instructions*, IS-10001000.

Catalog Information

Catalog Number **1 0**

Pressure Range

psig	[BAR]	(kPa)	
0.5-10	[0.03-0.7]	(3-70)	2
0.5-30	[0.03-2.0]	(3-200)	3
1-60	[0.1-4.0]	(10-400)	4
2-150	[0.15-10.0]	(15-1000)	6

Pipe Size

1/4" NPT	2
3/8" NPT	3

Options

BSPP (Parallel) ¹	H
Tamper Proof	T
BSPT (Tapered)	U

¹ BSPP Threads in Inlet & Outlet Ports Only. Others BSPT.



ISO 9001:2000
Certified

ISO 9001:2000
FM NO. 25571



Fairchild Industrial Products Company
3920 West Point Boulevard • Winston-Salem, NC 27103
phone: 336-659-3400 • fax: 336-659-9323
sales@fairchildproducts.com • www.fairchildproducts.com

CS-10001000 Rev. J 09/05
Litho in USA