

## Features

- Compact spool valve with threaded port connections.
- All exhaust ports are pipable, providing better protection against harsh environments.
- Standard manual operator.
- DIN, Watertight and Explosionproof solenoids available.
- Single and dual solenoid constructions.
- Mountable in any position.

## Construction

Valve Parts in Contact with Fluid	
<b>Body</b>	Black Anodized Aluminum
<b>Spring</b>	Phosphate treated black steel
<b>Shading Coil</b>	Copper
<b>Seals</b>	NBR + PUR
<b>Core and Core tube</b>	Stainless Steel/Brass
<b>End Covers</b>	6/6 glass filled PA/FG
<b>Spool</b>	Aluminum
<b>Internal Parts</b>	Zamak, Steel, CA, Aluminum

## Electrical

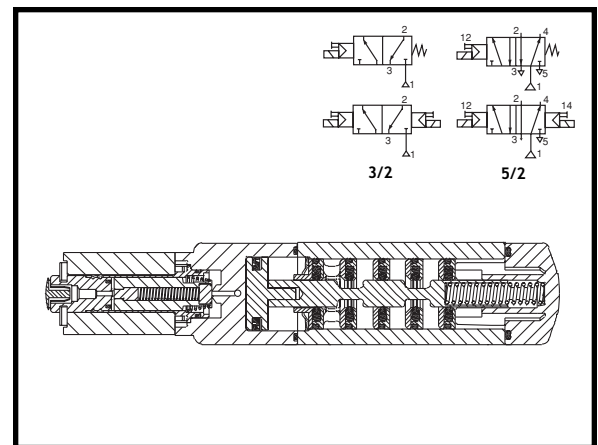
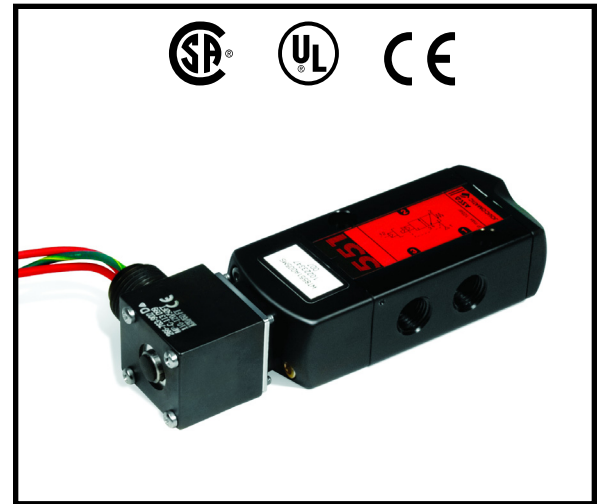
Standard Coil and Class of Insulation	Enclosure Type	Watt Rating and Power Consumption				Spare Coil Part Number	
		DC Watts	AC Watts	VA Holding	VA Inrush	AC	DC
F	SC	3	2.5	3.5	6	400125	400125
F	EF	6.9	6.3	7	10.1	266762	270007
F	WT	6.9	6.3	7	10.1	266763	270008

**Standard Voltages:** SC: 24, 120, 240 volts AC, 50-60 Hz; 12, 24, 120 volts DC. WT and EF: 24/50-60Hz, (120/60, 110-120/50)①, (240/60, 220-240/50)② volts AC; 6, 12, 24, 120 volts DC.

**Notes:** ① Order as 120/60, 110/50  
 ② Order as 240/60, 220/50

## Solenoid Enclosures

**Standard: - Prefix**  
**SC** = IP65 type DIN (open frame) per 46244  
**WT** = Combination General Purpose and Watertight Types 1, 2, 3, 3S, 4, and 4X  
**EF** = Combination Explosionproof and Watertight Types 3, 3S, 4, 4X, 6, 6P, 7, 9 CLASS 1, DIV. 1 (Groups A - D) and CLASS 2, DIV.1 Type 9 (Groups E-G)



## Nominal Ambient Temperature Ranges:

**SC:** AC/DC: 5°F to +140°F (-15°C to 60°C)

**EF:** AC: 5°F to +104°F (-15°C to 40°C)  
 DC: 5°F to +77°F (-15°C to 25°C)

**WT:** AC: 5°F to +140°F (-15°C to 60°C)  
 DC: 5°F to +77°F (-15°C to 25°C)

**Note:** For temperatures below 32°F (0°C) moisture-free air must be used. Refer to Engineering Section for details.

## Approvals:

SC: UL recognized component.

EF: UL and CSA solenoid approval.

WT: UL General Purpose valve.

Meets applicable CE directives. Refer to Engineering Section for details.

## Option:

Metering: order metering device pkg. of 20 pcs.

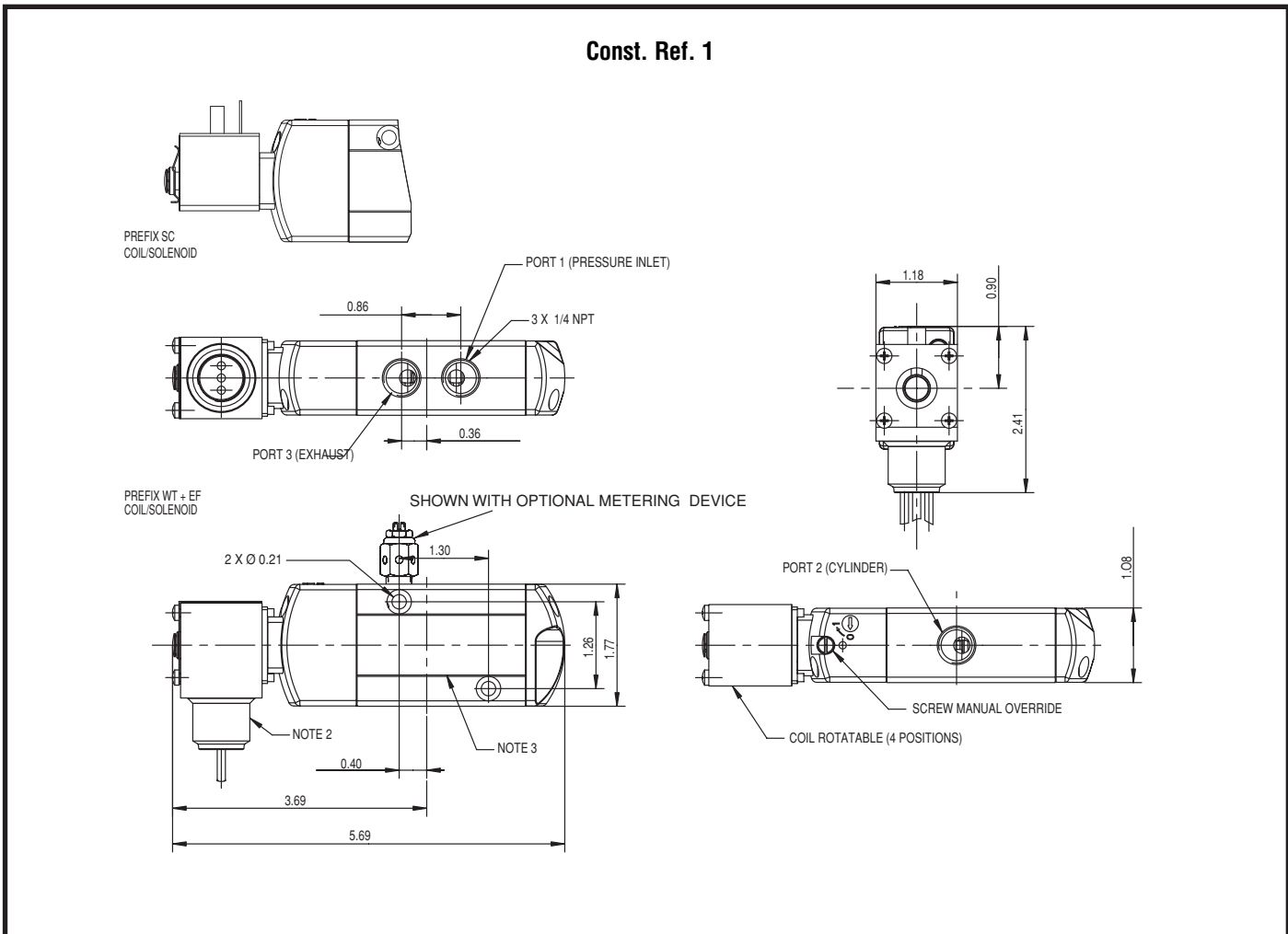
Order kit number: 276790-002-\*.

**NOTE:** When mounting inline 8551 valves with WT & EF solenoids (6.3 & 6.9 watts), ASCO recommends using two (2) 1/8" thick washers under the valve body to provide clearance for the solenoid coil.

Specifications (English units)

Pipe Size (ins.)	Orifice Size (ins.)	Cv Flow Factor	Pilot Pressure		Fluid Temp. °F (for single and dual solenoid)			Single Solenoid		Dual Solenoid		Watt Rating/ Class of Coil Insulation	
			Min.	Max.	Min.	Max. AC	Max. DC	Catalog Number	Constr. Ref. No.	Catalog Number	Constr. Ref. No.	AC	DC
<b>OPEN FRAME DIN COIL</b>													
<b>3 WAY</b>													
1/4	1/4	.86	30	150	5	140	140	SC8551A005MS	1	SC8551A006MS	3	2.5	3
<b>4 WAY</b>													
1/4	1/4	.86	30	150	5	140	140	SC8551A017MS	2	SC8551A018MS	4	2.5	3
<b>WATERTIGHT ENCLOSURE</b>													
<b>3 WAY</b>													
1/4	1/4	.86	30	150	5	140	77	WT8551A005MS	1	WT8551A006MS	3	6.3	6.9
<b>4 WAY</b>													
1/4	1/4	.86	30	150	5	140	77	WT8551A017MS	2	WT8551A018MS	4	6.3	6.9
<b>EXPLOSIONPROOF ENCLOSURE</b>													
<b>3 WAY</b>													
1/4	1/4	.86	30	150	5	104	77	EF8551A005MS	1	EF8551A006MS	3	6.3	6.9
<b>4 WAY</b>													
1/4	1/4	.86	30	150	5	104	77	EF8551A017MS	2	EF8551A018MS	4	6.3	6.9

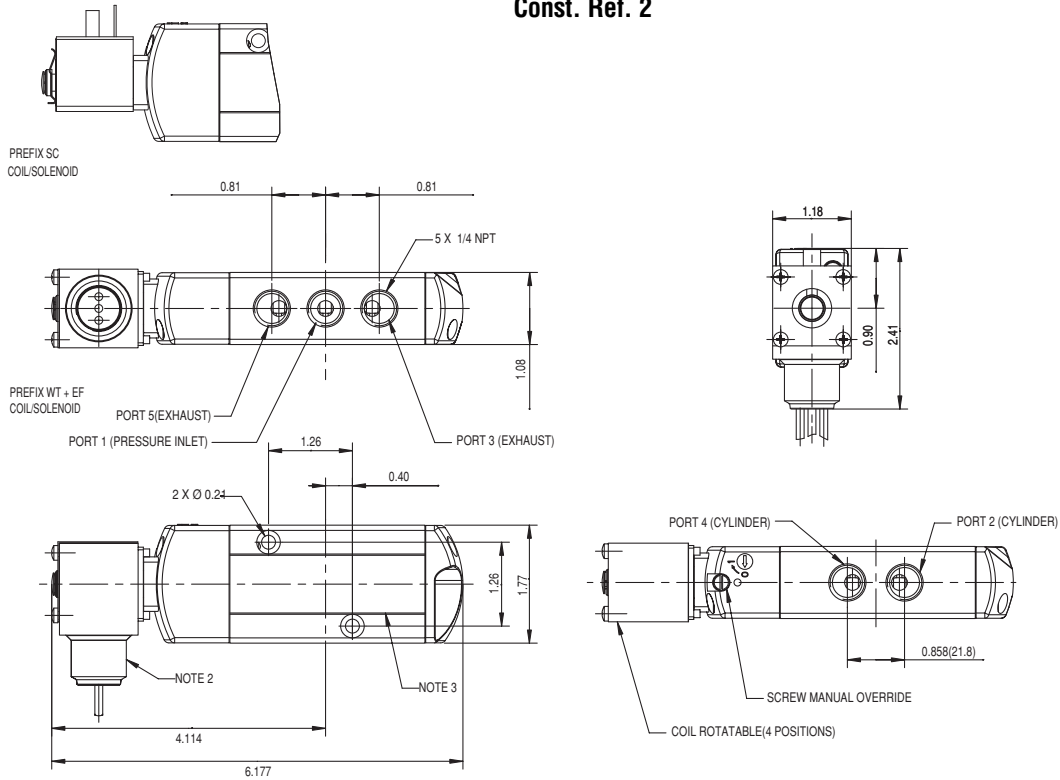
Dimensions: inches



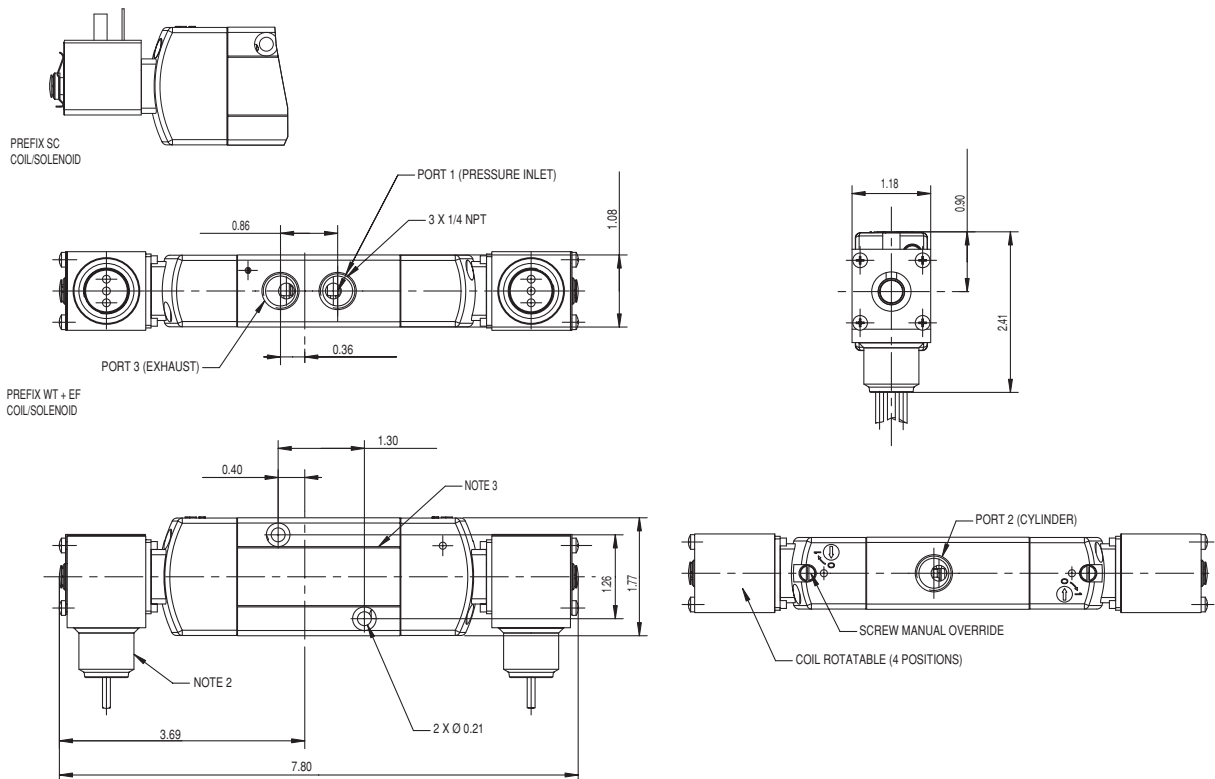


Dimensions: inches

Const. Ref. 2



Const. Ref. 3



Dimensions: inches

Constr. Ref. 4

