

ASCO™ Gas Shutoff Valves

Pilot Operated | 3/8" - 3/4" NPT

2/2
SERIES
8210

Features

- 2-way normally closed operation
- For control of commercial and industrial gas burners
- Ideal for high pressure applications
- Brass body construction
- Mountable in any position

Fluid

Fuel Gas

Construction

Valve Parts in Contact with Fluids	
Body	Brass
Seals and Disc	NBR
Core Tube	305 Stainless Steel
Core and Plugnut	430F Stainless Steel
Springs	302 Stainless Steel
Shading Coil	Copper

Electrical

Standard Coil and Class of Insulation	Watt Rating and Power Consumption				Ambient Temp. °F	Spare Coil Family			
	DC Watts	AC				General Purpose		Explosionproof	
		Watts	VA Holding	VA Inrush		AC	DC	AC	DC
F	-	10.1	25	70	-20 to 125	238610	-	238614	-
H	-	10.1	25	70	-20 to 140	238810	-	238914	-
F	11.6	-	-	-	-20 to 104	-	238710	-	238714

Standard Voltages: 24, 120, 240 volts AC, 60 Hz (or 110, 220 volts AC, 50 Hz).
6, 12, 24, 120, 240 volts DC. Must be specified when ordering.

Solenoid Enclosures

Standard: Watertight, Types 1, 2, 3, 3S, 4, and 4X with 1/2" conduit hub.

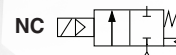
Optional: RedHat II - Explosionproof and Watertight. To order, add

Prefix "EF" to catalog numbers. (e.g. EF8210G075).

Valve Response Time

Opening Time: Less than 1 second

Closing Time: Less than 1 second



Approvals

UL listed to standard 429 "Electrically Operated Valves," Guide Y10Z, File MP618, Safety Valves.

FM Approved to Class 7400 "Liquid and Gas Safety Shutoff Valves."

CSA Certified to:

1) Standard C22.2 No. 139 "Electrically Operated Valves," File 010381

2) Automatic Gas Valves Z21.21(6.5) C/I, File 112872.

COMBUSTION

Specifications English units (Metric)

Pipe Size (in)	Orifice Size (in)	Flow Factor Cv (Kv)	Gas Capacity ①	Operating Pressure Differential psi (bar)			Max. Fluid Temp. °F (°C)		Catalog Number	Const. Ref.	Agency			Wattage		Approx. Shipping Weight lbs (kgs)
				Btu/hr.	Min.	Max. AC	Max. DC	AC			DC	UL	FM	CSA	AC	
COMBUSTION (Fuel Gas) - NORMALLY CLOSED																
3/8	5/8	2.8 (2.4)	150,000	0	50 (3.4)	25 (1.7)	125 (52)	104 (40)	8210G074	1	○	○	○	10.1	11.6	3.2 (1.5)
1/2	5/8	3.6 (3.1)	193,000	0	50 (3.4)	25 (1.7)	125 (52)	104 (40)	8210G075	1	○	○	○	10.1	11.6	3.2 (1.5)
3/4	3/4	5.0 (4.3)	295,000	0	50 (3.4)	25 (1.7)	125 (52)	104 (40)	8210G076	2	○	○	○	10.1	11.6	3.2 (1.5)

○ = Safety Shutoff Valve. ① 1" W.C. Drop @ 2" W.C. Inlet Pressure, 1,000 Btu/cu.ft. or more, 0.64 Specific Gravity Gas.

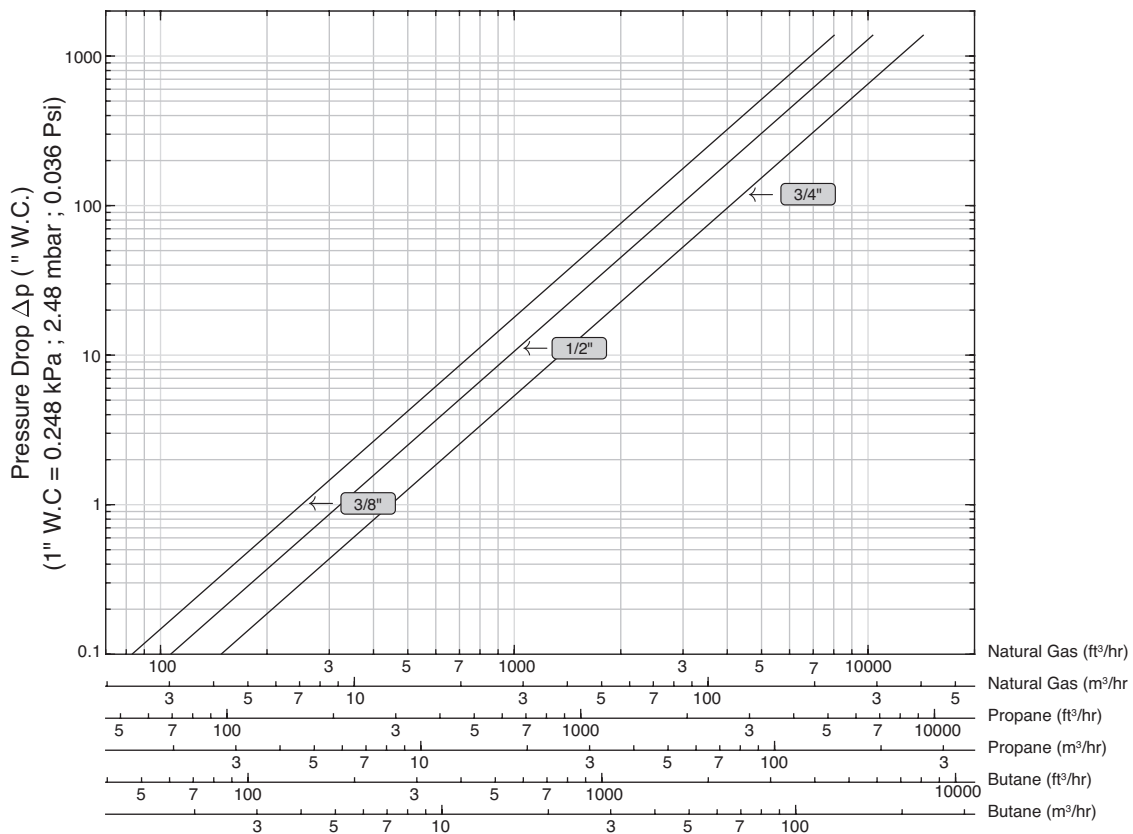
Capabilities Chart

Solenoid Options				Base Catalog Number	Resilient Materials	Standard Rebuild Kit	
Type 3-9	High Temp.	Junction Box ②	Wiring Box Screw Terminal	Brass	NBR	AC	DC
EF	HT	JB	JKF	8210G074	●	304076	306359
EF	HT	JB	JKF	8210G075	●	304076	306359
EF	HT	JB	JKF	8210G076	●	304076	306359

● = Standard. Other options may be available. All option combinations may not be available.
② UL and CSA only.

Gas Flow Chart

8210 N.C Watertight



Note: Flow curves are based on the following standard conditions: 5 psi (0.3 bar) inlet pressure and 68°F (20°C) fluid temperature.

ASCO™ Gas Shutoff Valves

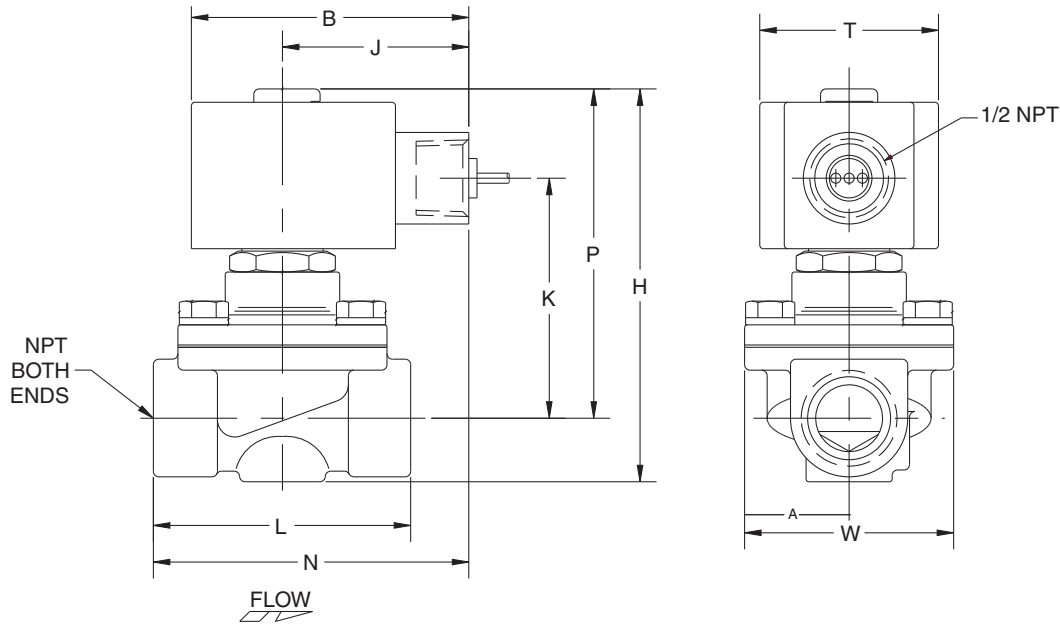
Pilot Operated | 3/8" - 3/4" NPT

2/2
SERIES
8210

Dimensions inches (mm)

Const. Ref.		A	B	H	J	K	L	N	P	T	W
1	in	1.66	3.03	3.95	2.04	2.42	2.75	3.42	3.39	1.95	2.28
	mm	42	77	100	52	61	70	87	86	50	58
2	in	1.66	3.03	4.20	2.04	2.58	2.81	3.45	3.55	1.95	2.28
	mm	42	77	107	52	66	71	88	90	50	58

Const. Ref. 1, 2



Mountable in any position.

COMBUSTION