

Features

- Operate at low pressures: no minimum required; up to 15 psi (1 bar) maximum differential
- Normally closed or normally open operation
- Widely used for dispensing, collating, gas shutoff, vacuum holding, and tank draining applications
- Normally open valve well suited for venting systems

Construction

Valve Parts in Contact with Fluids		
Body	Brass	304 Stainless Steel
Seals and Disc	NBR	
Core Tube	305 Stainless Steel	
Core and Plugnut	430F Stainless Steel	
Core Spring	302 Stainless Steel	
Shading Coil	Copper	Silver
Stem	PA (Normally Open)	

Electrical

Standard Coil and Class of Insulation	Watt Rating and Power Consumption				Spare Coil Part Number			
	DC Watts	AC			General Purpose		Explosionproof	
		Watts	VA Holding	VA Inrush	AC	DC	AC	DC
F	10.6	6.1	16	40	238210	238310	238214	238314
F	11.6	10.1	25	70	238610	238710	238614	238714
F	-	16.1	35	95	272610	-	272614	-
F	16.8	-	-	-	-	97617	-	97617
F	-	17.1	40	93	238610	-	238614	-
F	-	20.1	48	240	272610	-	272614	-

Standard Voltages: 24, 120, 240, 480 volts AC, 60 Hz (or 110, 220 volts AC, 50 Hz), 6, 12, 24, 120, 240 volts DC. Must be specified when ordering.
Other voltages available when required.

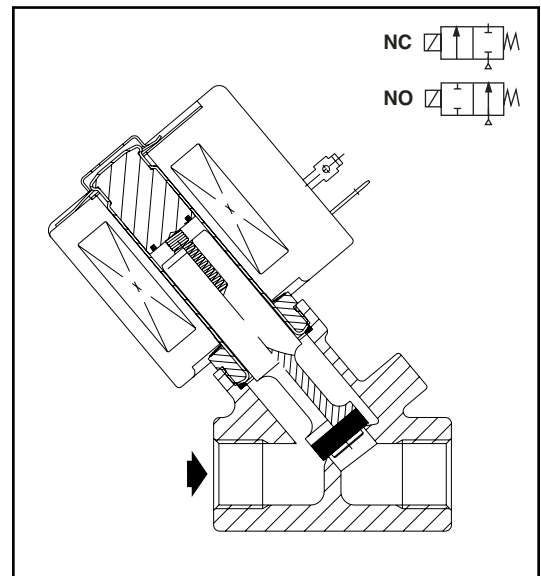
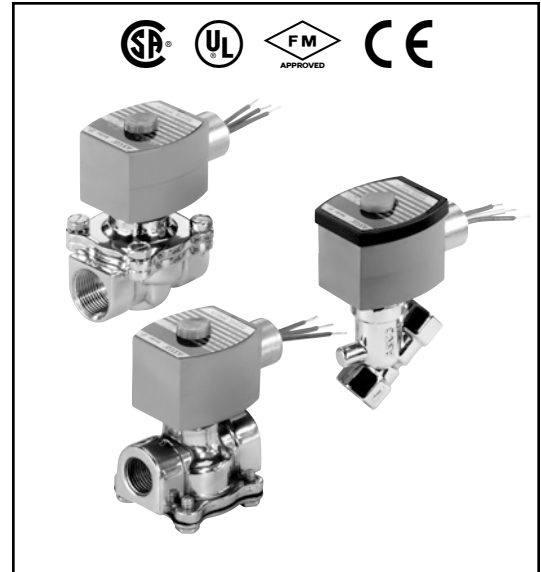
Solenoid Enclosures

Standard: Watertight, Types 1, 2, 3, 3S, 4, and 4X (all except 16.8 watt). Metal Type 1 General Purpose housing with 7/8" hole for 1/2" conduit hub (16.8 watt)

Optional: Explosionproof and Watertight, Types 3, 3S, 4, 4X, 6, 6P, 7, and 9. (To order, add prefix "EF" to catalog number.)

Note: Wattages 16.1 and 20.1 meet Type 7 Groups A, B, C, and D; and Type 9 Groups E and F only.

See *Optional Features Section* for other available options.



Nominal Ambient Temp. Ranges

AC: 32°F to 125°F (0°C to 52°C)

DC: 32°F to 104°F (0°C to 40°C)

Refer to *Engineering Section* for details.

Approvals

CSA certified. UL listed, as indicated. FM approved (Normally closed only except 8030G017 and 8030G067). Meets applicable CE directives.

Refer to *Engineering Section* for details.

Specifications (English units)

Pipe Size (ins.)	Orifice Size (ins.)	Cv Flow Factor	Operating Pressure Differential (psi)				Max. Fluid Temp. °F		Brass Body			Stainless Steel Body			Watt Rating/ Class of Coil Insulation ①		
			Min.	Max. AC		Max. DC		AC	DC	Catalog Number	Const. Ref.	UL ② Listing	Catalog Number	Const. Ref.	UL ② Listing	AC	DC
				Air-Inert Gas	Water	Air-Inert Gas	Water										
NORMALLY CLOSED (Closed when de-energized)																	
3/8	3/8	1.8	0	7	5	3	3	180	120	8030G010	1	○	8030G064	1	○	6.1/F	10.6/F
3/8	3/8	1.8	0	15	15	3.5	3.5	200	150	8030G013	2	○	8030G065	2	○	10.1/F	11.6/F
1/2	7/16	2.8	0	4	6	-	-	125	-	8030G016	3	○	8030G066	3	○	6.1/F	-
1/2	7/16	2.8	0	-	-	6	6	-	180	8030A017	11	○	8030A067	11	○	-	16.8/F
1/2	7/16	2.8	0	15	15	-	-	200	-	8030G017	11	○	8030G067	11	○	16.1/F	-
3/4	3/4	5	0	2	2	1	1	200	150	8030G003	9	○	-	-	-	10.1/F	11.6/F
3/4	3/4	5	0	4	4	-	-	180	-	8030G043	9	○	-	-	-	17.1/F	-
3/4	5/8	5.4	0	2.5	2.5	-	-	200	-	-	-	-	8030G063	10	○	10.1/F	-
NORMALLY OPEN (Open when de-energized)																	
3/8	3/8	1.6	0	15	15	-	-	200	-	8030G070	12	●	-	-	-	16.1/F	-
1/2	7/16	2.2	0	15	15	-	-	200	-	8030G071	13	●	-	-	-	20.1/F	-
1/2	3/4	5	0	2	2	-	-	180	-	8030G082	7	●	-	-	-	10.1/F	-
3/4	3/4	5.5	0	2	2	-	-	180	-	8030G083	8	●	-	-	-	10.1/F	-

① On all 50 hertz service, the watt rating for the 6.1/F solenoid is 8.1 watts.

② ○ = Safety Shutoff Valve; ● = General Purpose Valve. Refer to Engineering Section (Approvals) for details.

Specifications (Metric units)

Pipe Size (ins.)	Orifice Size (mm)	Kv Flow Factor (m3/h)	Operating Pressure Differential (bar)				Max. Fluid Temp. °C		Brass Body			Stainless Steel Body			Watt Rating/ Class of Coil Insulation ①		
			Min.	Max. AC		Max. DC		AC	DC	Catalog Number	Const. Ref.	UL ② Listing	Catalog Number	Const. Ref.	UL ② Listing	AC	DC
				Air-Inert Gas	Water	Air-Inert Gas	Water										
NORMALLY CLOSED (Closed when de-energized)																	
3/8	10	1.5	0	0.5	0.3	0.2	0.2	82	49	8030G010	1	○	8030G064	1	○	6.1/F	10.6/F
3/8	10	1.5	0	1.0	1.0	0.2	0.2	93	65	8030G013	2	○	8030G065	2	○	10.1/F	11.6/F
1/2	11	2.4	0	0.3	0.4	-	-	52	-	8030G016	3	○	8030G066	3	○	6.1/F	-
1/2	11	2.4	0	-	-	0.4	0.4	-	82	8030A017	11	○	8030A067	11	○	-	16.8/F
1/2	11	2.4	0	1.0	1.0	-	-	93	-	8030G017	11	○	8030G067	11	○	16.1/F	-
3/4	19	4.3	0	0.1	0.1	0.1	0.1	82	65	8030G003	9	○	-	-	-	10.1/F	11.6/F
3/4	19	4.3	0	0.3	0.3	-	-	82	-	8030G043	9	○	-	-	-	17.1/F	-
3/4	16	4.6	0	0.2	0.2	-	-	93	-	-	-	-	8030G063	10	○	10.1/F	-
NORMALLY OPEN (Open when de-energized)																	
3/8	10	1.4	0	1.0	1.0	-	-	93	-	8030G070	12	●	-	-	-	16.1/F	-
1/2	11	1.9	0	1.0	1.0	-	-	93	-	8030G071	13	●	-	-	-	20.1/F	-
1/2	19	4.3	0	0.1	0.1	-	-	82	-	8030G082	7	●	-	-	-	10.1/F	-
3/4	19	4.7	0	0.1	0.1	-	-	82	-	8030G083	8	●	-	-	-	10.1/F	-

① On all 50 hertz service, the watt rating for the 6.1/F solenoid is 8.1 watts.

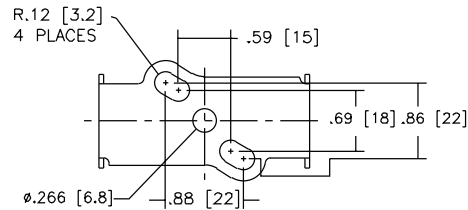
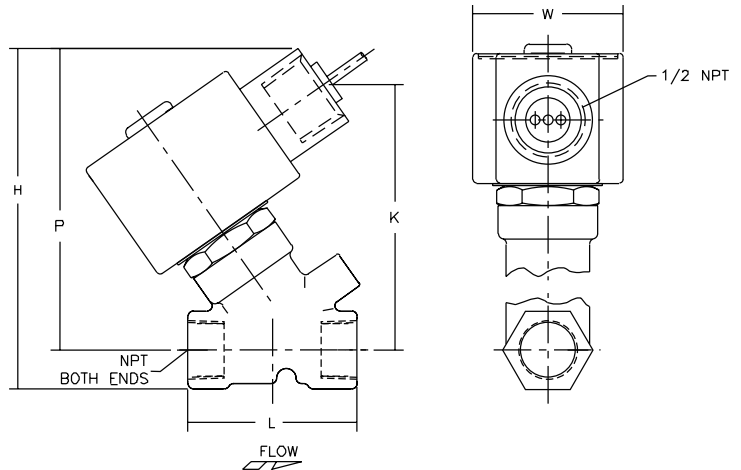
② ○ = Safety Shutoff Valve; ● = General Purpose Valve. Refer to Engineering Section (Approvals) for details.

Dimensions: inches (mm)

Const. Ref.		H	K	L	P	W
1	ins.	3.85	3	1.91	3.41	1.69
	mm	98	76	49	87	43
2	ins.	4	3.14	1.91	3.55	1.95
	mm	102	80	49	90	50
3	ins.	4.07	3.25	2.28	3.63	1.69
	mm	103	83	58	92	43
7	ins.	3.97	1.88	2.81	2.85	2.29
	mm	101	48	71	72	58
8	ins.	3.97	1.88	2.81	2.85	2.29
	mm	101	48	71	72	58
9	ins.	4.1	2.44	2.81	3.41	2.28
	mm	104	62	71	87	58
10	ins.	4.16	2.47	2.81	3.44	2.28
	mm	106	63	71	87	58
11	ins.	4.31	3.39	2.28	3.77	2.06
	mm	110	86	58	96	52
12	ins.	4.16	1.1	1.91	3.72	2.06
	mm	106	28	49	94	52
13	ins.	4.37	1.05	2.28	3.83	2.06
	mm	111	27	58	97	52

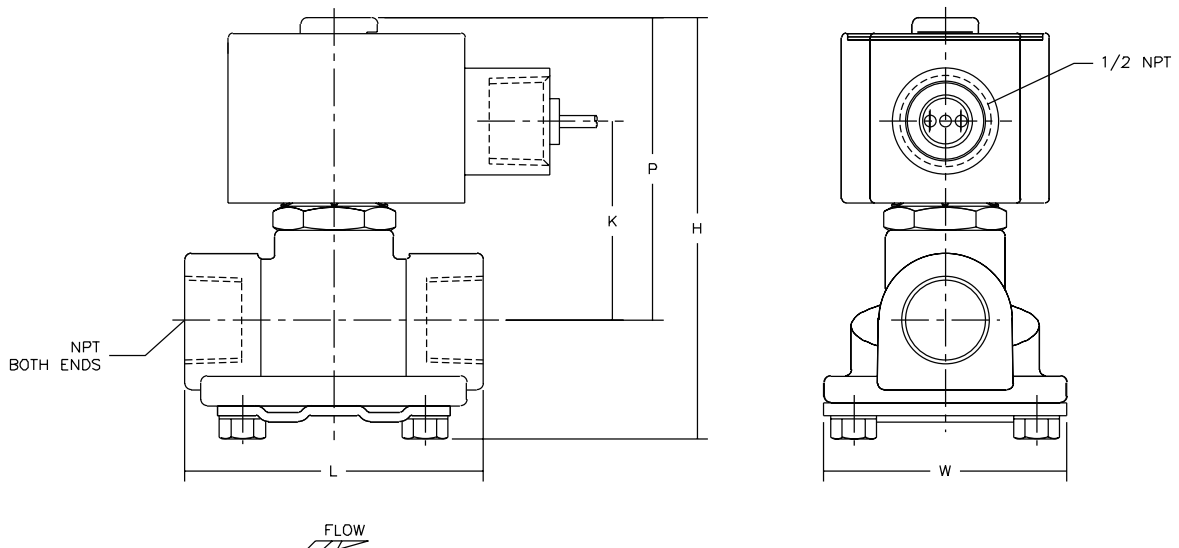
IMPORTANT: Valves may be mounted in any position, except for 8030G003 DC, which must be mounted with the solenoid vertical and upright.

Const. Ref. 1, 2, 3



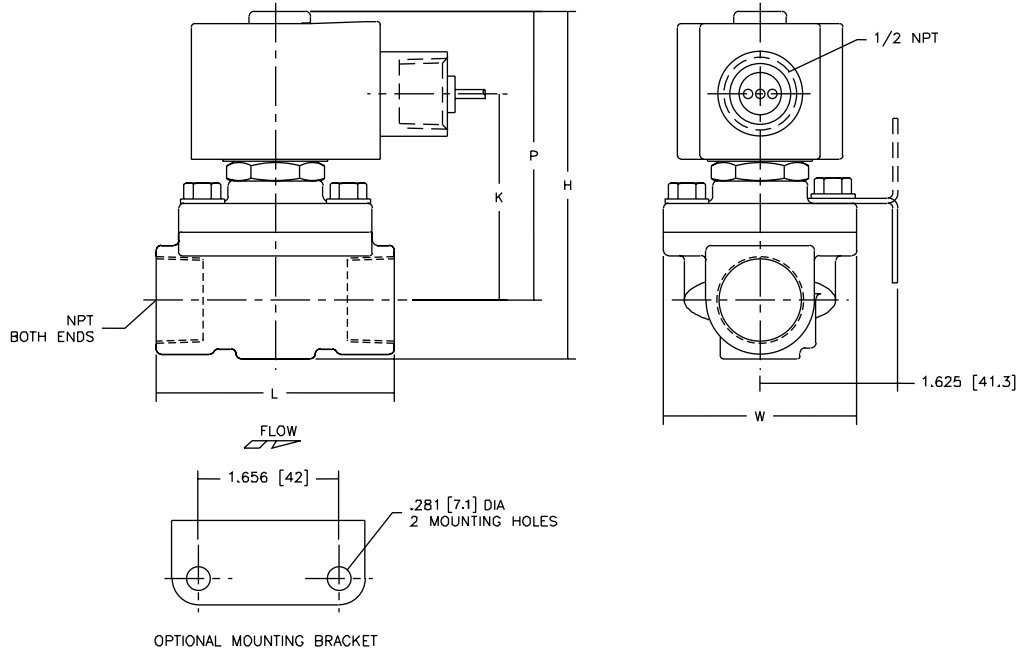
BOTTOM VIEW SHOWING MOUNTING BRACKET HOLES. (OPTIONAL)

Const. Ref. 7, 8



Dimensions: inches (mm)

Const. Ref. 9, 10



Const. Ref. 11, 12, 13

