



# Safety Switch

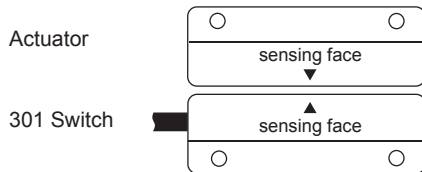
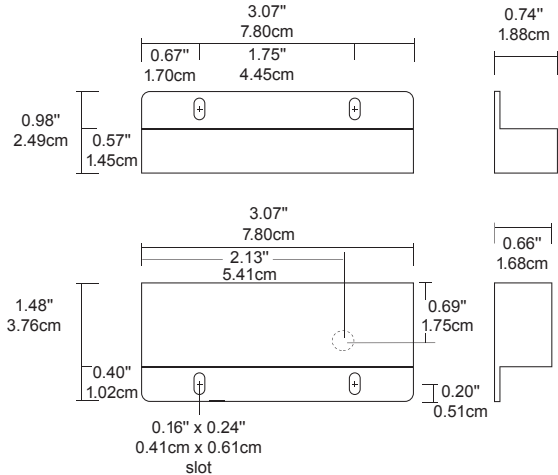
## 301-BT GuardSwitch

### Applications

- Requiring Highly Defeat Resistant Switches
- Meets ANSI, Semi S2 & European Safety Standard for the Highest Machine Risk Category 4 when used with the INT Safety Relay
- Packaging Machinery
- Pharmaceutical Equipment
- Semiconductor Equipment
- Machine Tool Equipment
- Food Processing Machinery

### General Specifications

Enclosure	Folded 304 Stainless Steel
Temperature Range	-40°F to 180°F (-40°C to 80°C)
Environmental	Hermetically Sealed Contact Switch Encapsulated in Polyurethane
NEMA Rating	1, 2, 4, 4X, 5, 12, 12K
Protection Class	IP 66
Response Time (individual circuits)	1 msec The two circuits do not switch simultaneously and depend on the speed of the guard closure. A delay less than 50 msec is typical.
Life Cycles	100,000 Under Full Load; Up to 200,000,000 Under Dry Circuit
Lead Types/O.D.	18/4 SJTOW (K) / 0.34" (0.86cm) 22/4 PVC Jacketed (J) / 0.19" (0.48cm) 22/6 PVC Jacketed (J) / 0.21" (0.53cm)
UL/CSA/TUV	All Models



### Electrical Specifications (Applies to all models)

Circuit	Circuit	Contact	Load	MAX Switching	MAX Switching
1	Switch	N.O.	40W/VA	48VAC/DC	1.0ADC, 0.7AC
2	Tamper	N.C.	10W/VA	48VAC/DC	0.3A
2	w/optional LED	N.C.	0.1-1.4W	48VDC(3V drop)	30mA
3	Monitor	N.O.	10W/VA	48VAC/DC	0.3ADC, 0.3AC



U9880128199005  
When used with INT Safety Monitor Relay



### Order Information

Part Number	Contact <sup>2</sup> Configuration	Sense Range <sup>3</sup> Minimum	Sense Range <sup>3</sup> Maximum	Break Range	Lead Length
301-BT-12(J)or(K)	DPST: 1 N.O., 1 N.C.	0.3"(0.8cm)	0.6"(1.5cm)	1.2"(3.0cm)	12' (3.6m)
301-BT-12(J)-NH <sup>1</sup>	DPST: 1 N.O., 1 N.C.		0.6"(1.5cm)	1.2"(3.0cm)	12' (3.6m)
301-BLT-12(J)or(K)	DPST: 1 N.O., 1 N.C. w/ LED	0.3"(0.8cm)	0.6"(1.5cm)	1.2"(3.0cm)	12' (3.6m)
301-B3T-12(J)	TPST:2 N.O., 1 N.C.	0.3"(0.8cm)	0.6"(1.5cm)	1.2"(3.0cm)	12'(3.6m)
301-B3LT-12(J)	TPST:2 N.O., 1 N.C. w/LED	0.3"(0.8cm)	0.6"(1.5cm)	1.2"(3.0cm)	12'(3.6m)

**Warning— Each electrical rating is an individual maximum and cannot be exceeded!**

<sup>1</sup> NH—no minimum sense range

<sup>2</sup> Configuration with actuator away from the switch

<sup>3</sup> Proximity of ferrous materials usually reduces sense range — typically by 50%. The shape and type of material cause a wide diversity of effects. Testing is required to determine actual sense range for specific applications.