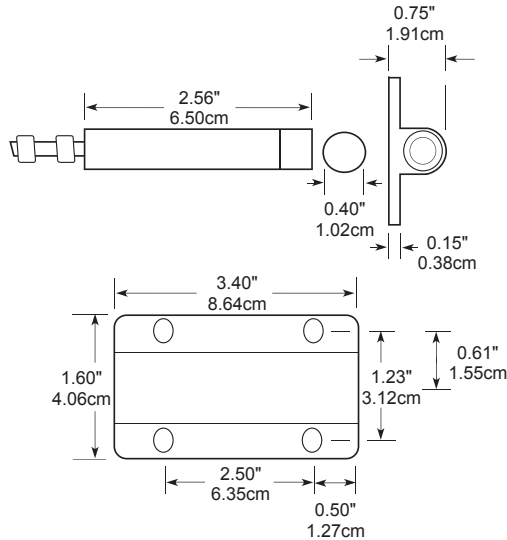


Magnapull™ Heavy Duty Magnetic Pull-Apart Cords 2100 Series

Applications

- Protect boats, trailers, heavy equipment
- Secures almost any loose item
- Positive magnetic retention
- Reed-actuated for high reliability
- Durable, heavy guage construction for long life
- Mounting hardware included



General Specifications

Enclosure	ABS Plastic
Temperature Range	-40°F to 150°F (-40°C to 65°C)
Environmental	Hermetically Sealed Reed Switch
NEMA Rating	1, 2, 3, 4, 4x, 5, 6, 12
Protection Class	IP 67
Response Time	1 msec max.
Life Cycles	100,000 Under Full Load 10,000,000 Under Dry Circuit
Lead Types/O.D.	Stainless Steel Armored Cable with #22 wire / 0.28" (0.71cm)
Color	Grey



Order Information Electrical Specifications

Part Number	Contact ¹ Configuration	Load Rating (AC/DC)	Switching Voltage (AC/DC)	Switching Current (AC/DC)	Contact Resistance	Lead Length
2105A-G	N.O.	7.5W/VA	100V	0.5A	0.2 Ohms	3'
2107A-G	SPDT	3W/VA	30V	0.25A	0.2 Ohms	3'

Warning— Each electrical rating is an individual maximum and cannot be exceeded!

¹ Configuration with actuator away from the switch

POSITION SENSORS