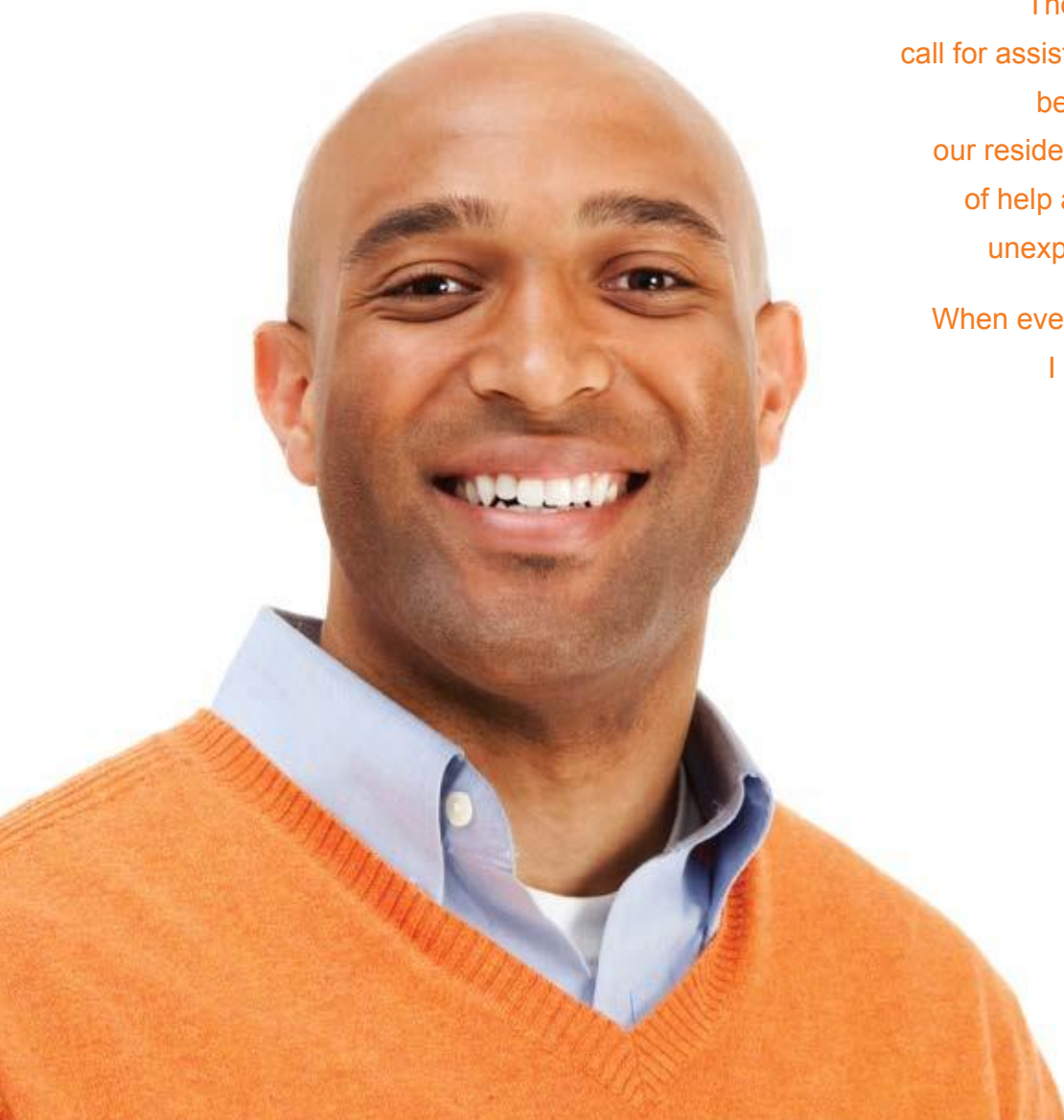


Minutes Matter

“I rest easier knowing that Edwards devices are installed throughout the Assisted Living Center that I manage.

Those pull cords and call for assistance stations can become a lifeline for our residents in urgent need of help after a fall or other unexpected emergency.

When every minute matters, I choose Edwards.”



6

CALL FOR ASSISTANCE

Product Index

Edwards' call for assistance devices come as simple as a wall switch with a pull string, to the call notification of a horn/strobe outside a public restroom. Edwards provides emergency communication products that offer security and peace of mind.

Call for Assistance



Call for Assistance Kits 6-4



Hotel Room Annunciator 6-8



Push Buttons 6-10



Horn/Strobe 6-12



Buzzer/Strobe 6-13



Pull Cord Switches 6-14



Wall Stations 6-16



Dome Stations 6-18

Call for Assistance

Table of Contents

Description	Page
Call for Assistance Kits	
.....CFA Series	6-4
Hotel Room Annunciator	
.....CFA Series	6-8
Push Buttons	
Push Button Plate.....147 Series	6-10
Horn/Strobe	
.....CFA Series	6-12
Buzzer/Strobe	
.....CFA Series	6-13
Pull Cord Switches	
.....CFA Series	6-14
Wall Stations	
.....CFA Series	6-16
Dome Stations	
.....CFA Series	6-18

Call for Assistance Kits

CFA Series

The Edwards 6538-G5 24 volt Call For Assistance Kit is designed for areas where a call-for-help or an emergency switch is required. The kit consists of a 6536-G5 horn/strobe for audible and visual notification, a 6537 emergency pull cord station, and a 592 transformer. Each component may also be ordered individually.

6536-G5 Horn/Strobe

The 6536-G5 Horn/Strobe is designed for use in a single gang 2" (51mm) x 4" (102mm) box typically located over the door. Each unit contains an audible horn signal which generates an 82 dBA sound pressure level at 10 ft. and a 50 cd strobe. See page 6-12.

592 Transformer

The Edwards 592 transformer is used to power the horn/strobe. It is equipped with a grounding wire and is suitable for installation in both plastic and metal boxes. See section 7, page 7-25.

6537 Pull Cord Switch

The 6537 pull cord station provides emergency call activation and reset. It has a stainless steel face plate with a DPST switch. See page 6-14.

Features and Specifications

- Kit includes 6536-G5 Horn/Strobe, 592 Transformer and 6537 Pull Cord Switch
- Double pole single throw switch
- Neutral white color
- Fits single gang box
- UL 1638 listed - Horn/Strobe



Ordering Information		Transformer		Horn/Strobe Current	Lens Color	dBA at 1m/10ft.	Strobe Candela
Description	Cat. No.	Primary	Secondary				
Call for Assistance Kit	6538-G5	120V AC	24V AC	0.175 A @ 24V AC ¹	Clear	92/82	50
				0.125 A @ 24V DC			
	6538A-G5	120V AC	24V AC	0.175 A @ 24V AC ¹	Amber	92/82	40
				0.125 A @ 24V DC			
	6538B-G5	120V AC	24V AC	0.175 A @ 24V AC ¹	Blue	92/82	17
				0.125 A @ 24V DC			
	6538G-G5	120V AC	24V AC	0.175 A @ 24V AC ¹	Green	92/82	29
				0.125 A @ 24V DC			
	6538R-G5	120V AC	24V AC	0.175 A @ 24V AC ¹	Red	92/82	25
				0.125 A @ 24V DC			

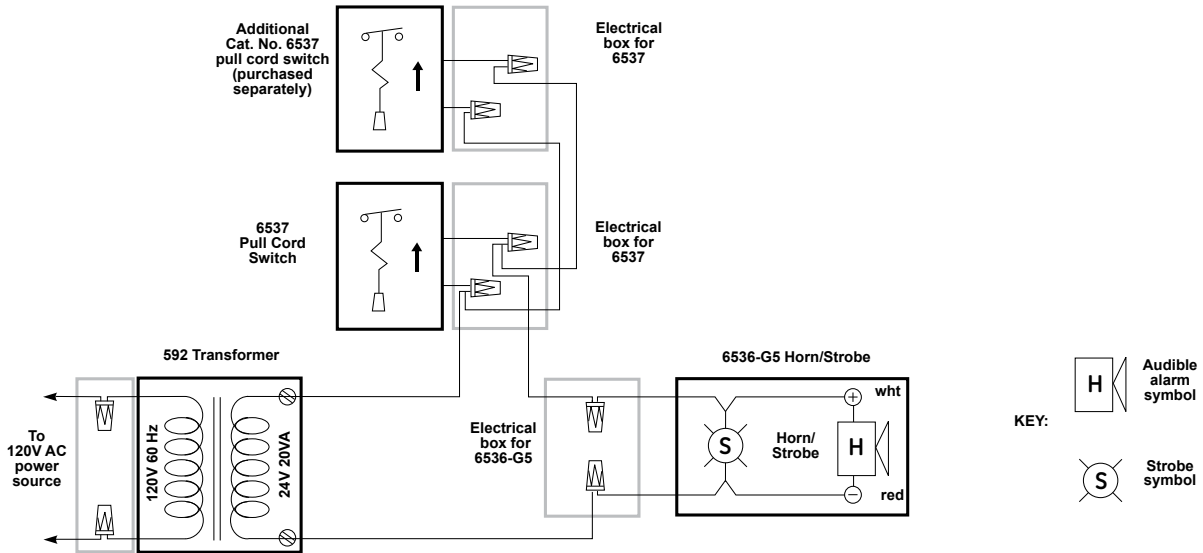
¹AC voltage frequency is 50/60 Hz



Call for Assistance Kits CFA Series

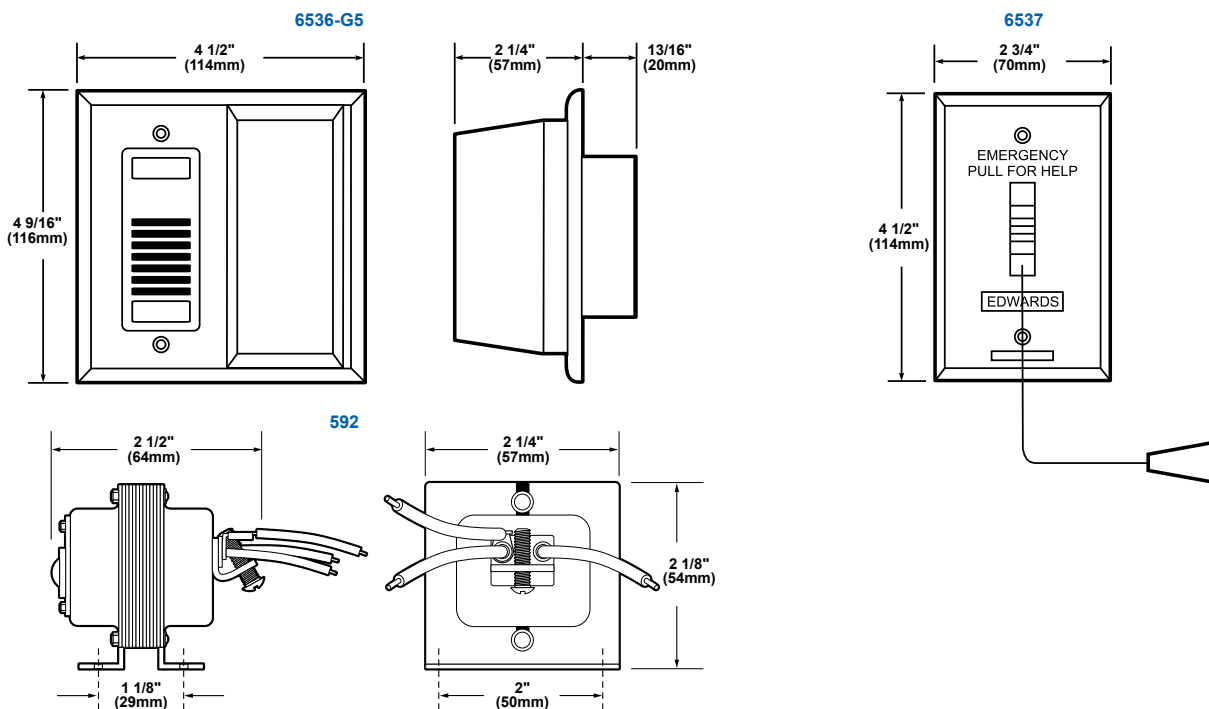
Technical Information

Connecting 6538-G5 Call for Assistance Kit



Weights and Dimensions

Cat. No.	Approx. Net Weight (lb.)	Approx. Shipping Weight (lb.)
6538-G5	1.53	1.81
6538A-G5	1.53	1.81
6538B-G5	1.53	1.81
6538G-G5	1.53	1.81
6538R-G5	1.53	1.81



Call for Assistance Kits CFA Series

The Edwards 7008B-N5 120 volt Call For Assistance Kit is designed for areas where a call-for-help device is required. The kit consists of a 7007B-N5 buzzer/strobe for audible and visual notification and a 6537 emergency pull cord station for activation. Each component may also be ordered individually.

7007B-N5 Buzzer/Strobe

The 7007B-N5 buzzer/strobe is designed for installation in a single gang 2" (51mm) x 4" (102mm) box located over doors. Each unit contains an audible signal which generates an 82 dBA sound pressure level at 10 ft. and a 150 cd strobe. The unit draws 115 mA.

6537 Pull Cord Switch

The 6537 pull cord switch provides emergency call activation and reset. It has a stainless steel face plate with a DPST switch.

Features and Specifications

- Kit includes 7007B-N5 Buzzer/Strobe and 6537 Pull Cord Switch
- Double pole single throw switch
- Neutral white color
- Fits single gang box
- 92dB buzzer at 1 meter/82dB at 10ft.



Ordering Information

Description	Cat. No.	Operating Voltage	Buzzer/Strobe		Lens Color	Strobe Candela
			Current	dBA at 1m/10ft.		
Call for Assistance Kit	7008B-N5	120V AC	0.115 A	92/82	Clear	150
	7008BA-N5	120V AC	0.115 A	92/82	Amber	120
	7008BB-N5	120V AC	0.115 A	92/82	Blue	51
	7008BG-N5	120V AC	0.115 A	92/82	Green	86
	7008BR-N5	120V AC	0.115 A	92/82	Red	74

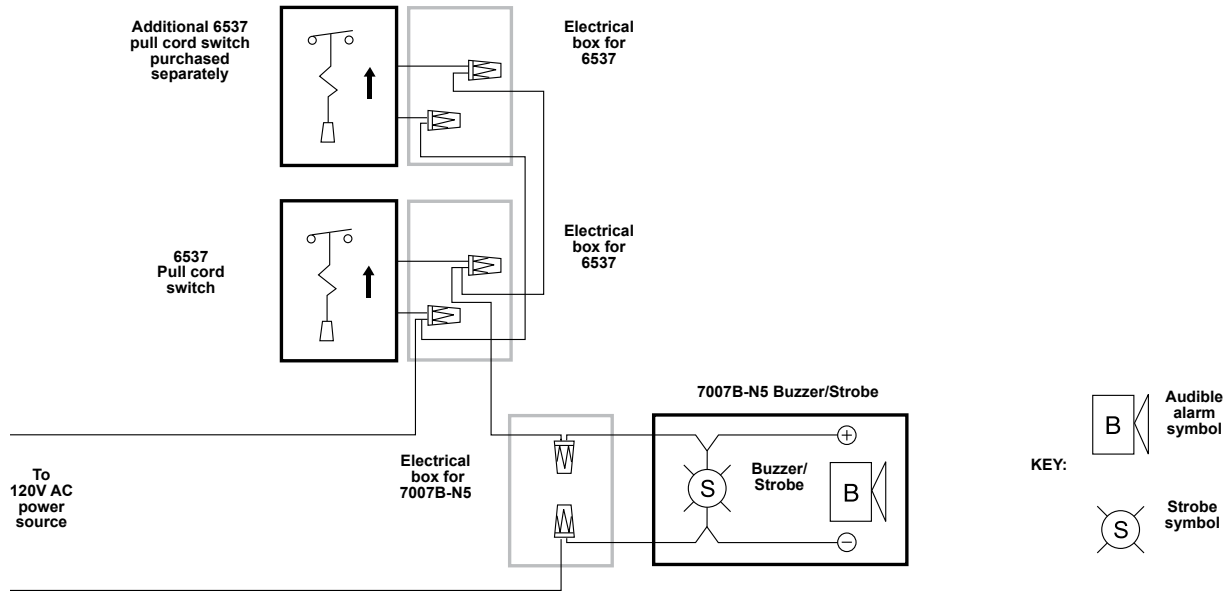


Call for Assistance Kits

CFA Series

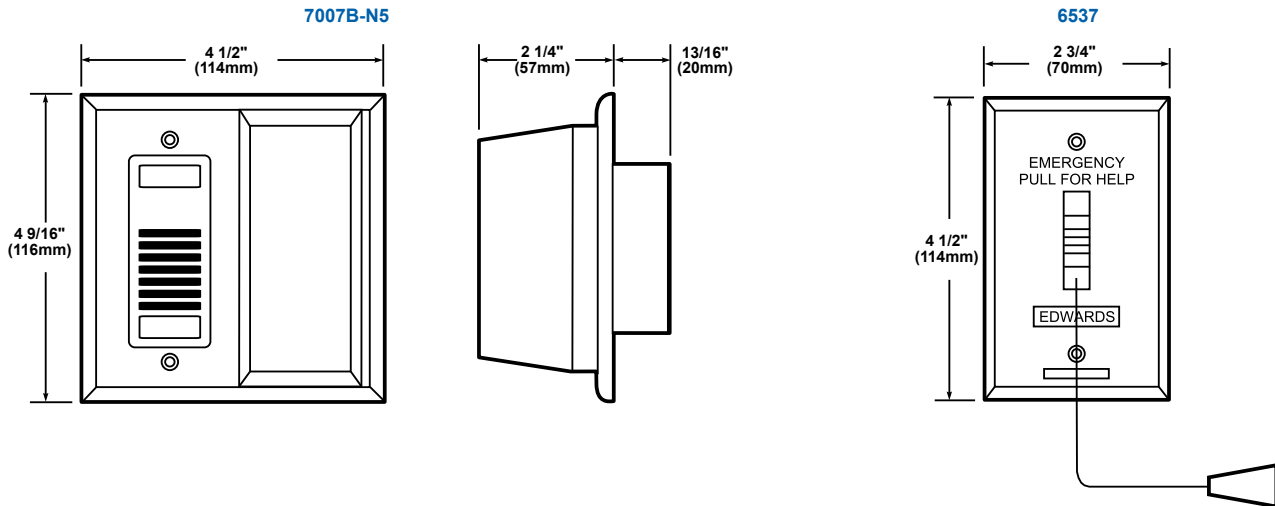
Technical Information

Connecting 7008B-N5 Call for Assistance Kit



Weights and Dimensions

Cat. No.	Approx. Net Weight (lb.)	Approx. Shipping Weight (lb.)
7008B-N5	0.50	0.90
7008BA-N5	0.50	0.90
7008BB-N5	0.50	0.90
7008BG-N5	0.50	0.90
7008BR-N5	0.50	0.90



Hotel Room Annunciator CFA Series

The Edwards 7005-G5 24 volt Hotel Room Annunciator is for use in hotel rooms and other areas designed to assist those with audible, visual, or physical impairments. The kit consists of a 6536-G5 horn/strobe for audible and visual signaling, a 620 push button, a 147-10 mounting plate, and a 592 transformer. Each component may also be ordered individually.

6536-G5 Horn/Strobe

The 6536-G5 Horn/Strobe is designed for use in a single gang 2" (51mm) x 4" (102mm) box located over the door. Each unit contains an audible horn signal which generates an 82 dBA sound pressure level at 10 ft. and a 50 cd strobe.

592 Transformer

The Edwards 592 transformer is used to power the horn/strobe. It is equipped with a grounding wire and is suitable for installation in both plastic and metal boxes.

620 Push Button

The 620 push button station provides call activation when installed in the 147-10 mounting plate (page 6-10). The plate has a stainless steel face. The switch is momentary.

Features and Specifications

- Kit includes 6536-G5 Horn/Strobe, 592 Transformer and 620 Push Button
- Neutral white color
- Fits single gang box
- 92dB buzzer at 1 meter/82dB at 10ft.
- UL 1638 listed - Horn/Strobe



Ordering Information

Description	Cat. No.	Transformer		Horn/Strobe Current	Lens Color	dBA at 1m/10ft.	Strobe Candela
		Primary	Secondary				
Call for Assistance Kit	7005-G5	120V AC	24V AC	0.175 A @ 24V AC ¹	Clear	92/82	50
				0.125 A @ 24V DC			
	7005A-G5	120V AC	24V AC	0.175 A @ 24V AC ¹	Amber	92/82	40
				0.125 A @ 24V DC			
	7005B-G5	120V AC	24V AC	0.175 A @ 24V AC ¹	Blue	92/82	17
				0.125 A @ 24V DC			
	7005G-G5	120V AC	24V AC	0.175 A @ 24V AC ¹	Green	92/82	29
				0.125 A @ 24V DC			
	7005R-G5	120V AC	24V AC	0.175 A @ 24V AC ¹	Red	92/82	25
				0.125 A @ 24V DC			

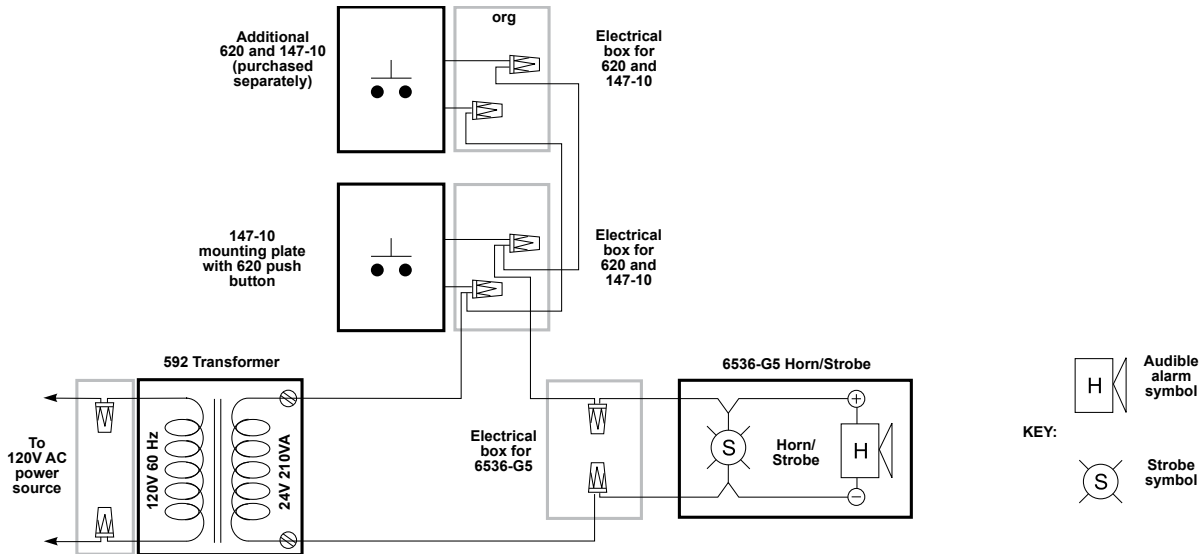
¹AC voltage frequency is 50/60 Hz



Hotel Room Annunciator CFA Series

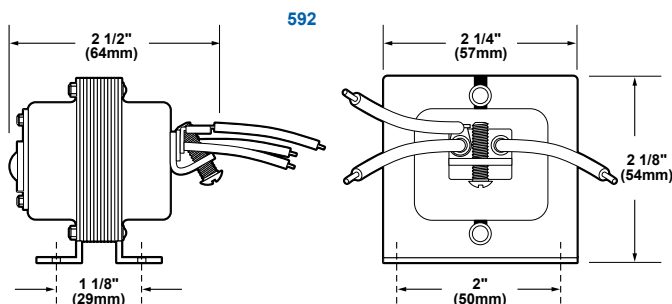
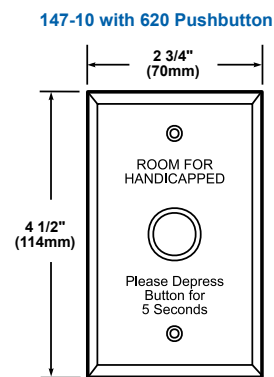
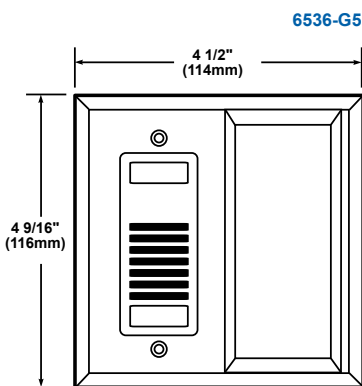
Technical Information

Connecting 7005-G5 Hotel Room Annunciator



Weights and Dimensions

Cat. No.	Approx. Net Weight (lb.)	Approx. Shipping Weight (lb.)
7005-G5	1.46	1.66
7005A-G5	1.46	1.66
7005B-G5	1.46	1.66
7005G-G5	1.46	1.66
7005R-G5	1.46	1.66



Push Buttons

Push Button Plate

147 Series

The Edwards 147-10 Push Button Plate is a stainless steel faceplate, and is used with the catalog series 620 Push Buttons (purchased separately) to form a convenient station that provides a means of activating a hotel room annunciator for the hearing impaired. Designed for single gang mounting.

Features and Specifications

- Used as a switch plate outside hotel rooms accessible to the hearing impaired
- Stainless steel faceplate
- Suitable for use with 620 Series push button
- Supplied as part of the 7005-G5 Hotel Room Annunciator



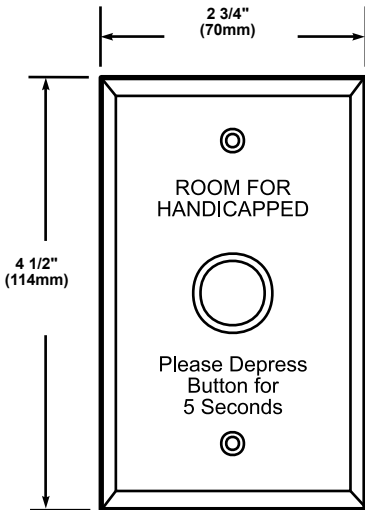
NOTE: Shown with 620 push button, not included.

Ordering Information

Description	Cat. No.	For Use With
Single Gang Push Button Plate	147-10	7005-G5 Hotel Room Annunciator Kit

Weights and Dimensions

Cat. No.	Approx. Net Weight (lb.)	Approx. Shipping Weight (lb.)
147-10	0.12	0.15



6 CALL FOR ASSISTANCE

Push Buttons

Push Button Plate

147 Series

The Edwards 147-1 Push Button Switch Plate is used for mounting 620 and 690 series 5/8" (16mm) push button switches (purchased separately) on a standard single gang box.

The Edwards 149-1 Push Button Switch Plate is used for mounting 821, 850, and 854 series 7/8" (22mm) push button switches (purchased separately) on a standard single gang box.

Features and Specifications

- Standard switch box mounting
- Stainless steel faceplate

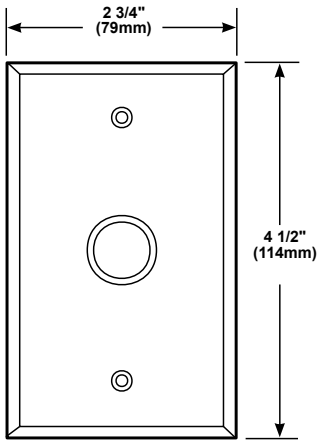


Ordering Information

Description	Cat. No.	For Use With
Mounting Plate for 5/8" Push Buttons	147-1	620 and 690 Series
Mounting Plate for 7/8" Push Buttons	149-1	821, 850 and 854 Series

Weights and Dimensions

Cat. No.	Approx. Net Weight (lb.)	Approx. Shipping Weight (lb.)
147-1	0.12	0.15
149-1	0.12	0.15



Horn/Strobe CFA Series

The Edwards 6536-G5 Horn/Strobe is an audible/visual signaling device that may be used in a variety of system configurations including call for assistance applications.

Designed for installation in a single gang 2" (51mm) x 4" (102mm) box.

Features and Specifications

- Neutral white color
- 92dB at 1 meter/82dB at 10 ft.
- UL 1638 listed



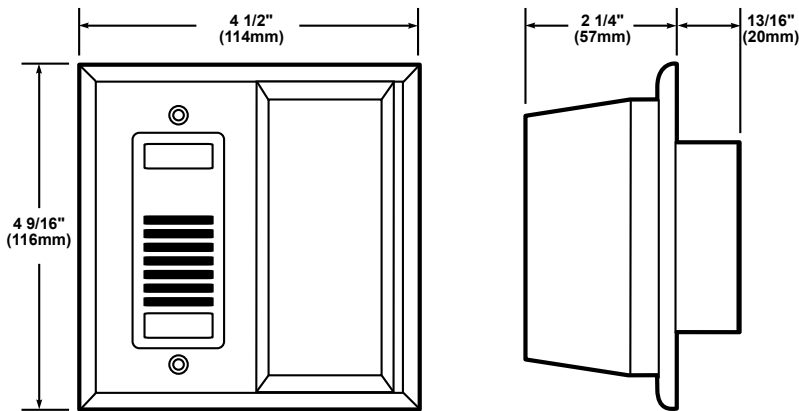
Ordering Information

Description	Cat. No.	Operating Voltage	Current	Lens Color	dB at 1m/10ft.	Strobe Candela
Horn/Strobe	6536-G5	24V AC	0.175 A @ 24V AC ¹	Clear	92/82	50
		24V DC	0.125 A @ 24V DC			
	6536A-G5	24V AC	0.175 A @ 24V AC ¹	Amber	92/82	40
		24V DC	0.125 A @ 24V DC			
	6536B-G5	24V AC	0.175 A @ 24V AC ¹	Blue	92/82	17
		24V DC	0.125 A @ 24V DC			
	6536G-G5	24V AC	0.175 A @ 24V AC ¹	Green	92/82	29
		24V DC	0.125 A @ 24V DC			
	6536R-G5	24V AC	0.175 A @ 24V AC ¹	Red	92/82	25
		24V DC	0.125 A @ 24V DC			

¹AC voltage frequency is 50/60 Hz

Weights and Dimensions

Cat. No.	Approx. Net Weight (lb.)	Approx. Shipping Weight (lb.)
6536-G5	0.46	0.65
6536A-G5	0.46	0.65
6536B-G5	0.46	0.65
6536G-G5	0.46	0.65
6536R-G5	0.46	0.65



Buzzer/Strobe CFA Series

The Edwards 7007B-N5 Buzzer/Strobe is an audible/visual signaling device that may be used in a variety of system configurations including call for assistance applications.

Designed for installation in a single gang 2" (51mm) x 4" (102mm) box.

Features and Specifications

- Neutral white color
- 92dB at 1 meter/82dB at 10 ft.

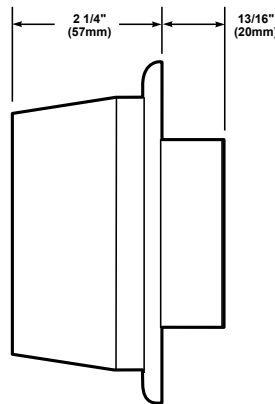
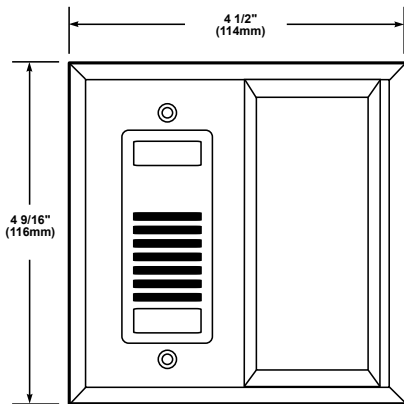


Ordering Information

Description	Cat. No.	Operating Voltage	Current	Lens Color	dB at 1m/10ft.	Strobe Candela
Buzzer/Strobe	7007B-N5	120V AC	0.115 A	Clear	92/82	150
	7007BA-N5	120V AC	0.115 A	Amber	92/82	120
	7007BB-N5	120V AC	0.115 A	Blue	92/82	51
	7007BG-N5	120V AC	0.115 A	Green	92/82	86
	7007BR-N5	120V AC	0.115 A	Red	92/82	74

Weights and Dimensions

Cat. No.	Approx. Net Weight (lb.)	Approx. Shipping Weight (lb.)
7007B-N5	0.41	0.59
7007BA-N5	0.41	0.59
7007BB-N5	0.41	0.59
7007BG-N5	0.41	0.59
7007BR-N5	0.41	0.59



6
CALL FOR ASSISTANCE

Pull Cord Switches

CFA Series

The Edwards 6537 pull cord switch provides emergency call activation. The call may be reset at the initiating switch. Cords are replaceable with a standard nylon cord.

Designed for either flush or surface mounting. Unit fits in a standard single-gang electrical box and plaster cover. For surface mounting, use a Wire-mold surface box. All boxes must have a minimum depth of 1 3/4" (44mm). Boxes and covers not supplied.

Features and Specifications

- Double pole single throw switch
- Stainless steel faceplate
- 10 foot cord length
- Replacement cords user supplied

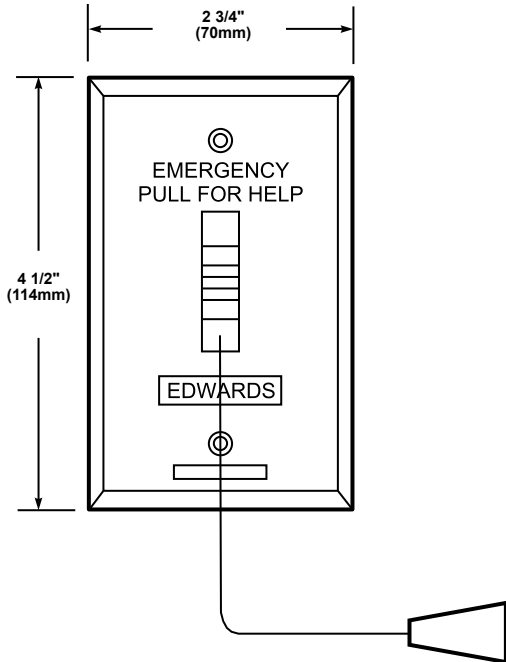


Ordering Information

Description	Cat. No.	Operating Voltage	Current
Pull Cord Switch	6537	125V AC	3 A
		125V DC	0.5 A

Weights and Dimensions

Cat. No.	Approx. Net Weight (lb.)	Approx. Shipping Weight (lb.)
6537	0.18	0.29



6 CALL FOR ASSISTANCE

Pull Cord Switches

CFA Series

The Edwards Pull Cord Switch provides emergency call activation. Calls are placed by pulling one of the attached 6 foot (1.83m) cords. Cords are replaceable with a standard nylon cord. Designed for either flush or surface mounting. Unit fits in a standard single-gang electrical box and plaster cover. For surface mounting, use a Wire-mold surface box. All boxes must have a minimum depth of 1 3/4" (44mm). Boxes and covers not supplied.

Features and Specifications

- 3 maintained contacts
- Stainless steel faceplate
- "Emergency" engraved units available
- Flush or surface mount

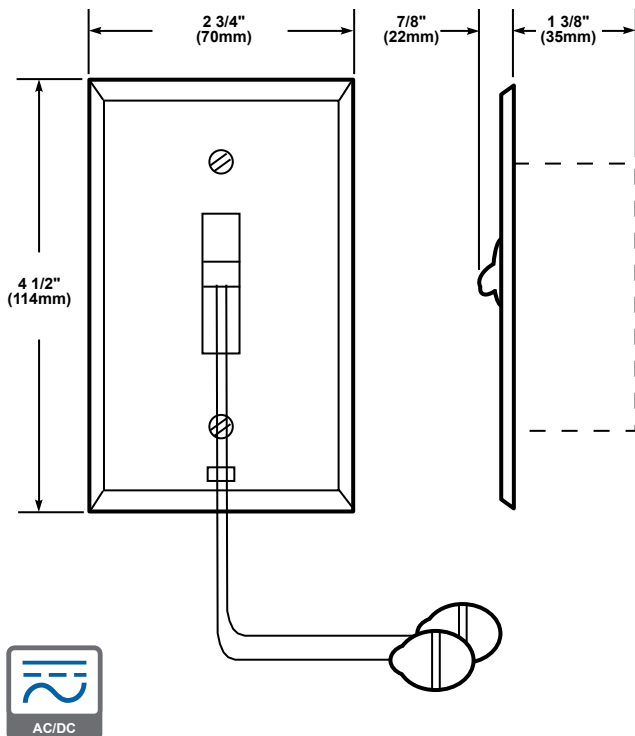


Ordering Information

Description	Cat. No.	Operating Voltage	Current
Pull Cord Switch, Blank	7302A	125V AC	3 A
		125V DC	0.5 A
Pull Cord Switch, Engraved "Emergency"	7302AE	125V AC	3 A
		125V DC	0.5 A

Weights and Dimensions

Cat. No.	Approx. Net Weight (lb.)	Approx. Shipping Weight (lb.)
7302A	0.20	0.39
7302AE	0.20	0.39



Wall Stations

CFA Series

The Edwards 7603 Wall Station provides convenient call activation. Calls are placed by simply pushing the locking-type push button on the front of the station. The 7603 has one button. Models available with faceplate engraved "Emergency."

Designed for either flush or surface mounting. Unit fits in a standard single-gang electrical box and plaster cover. For surface mounting, use a Wire-mold surface box. All boxes must have a minimum depth of 2 1/4" (57mm). Boxes and covers not supplied.

Features and Specifications

- Three maintained contacts, one momentary contact
- Stainless steel faceplate
- Heavy duty push button
- "Emergency" engraved units available

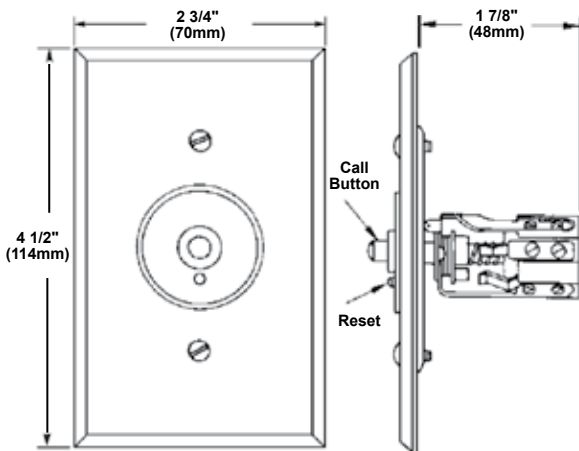


Ordering Information

Description	Cat. No.	Operating Voltage	Depth in Wall Box
Wall Station	7603B	24V AC/DC	1 7/8" (48mm)
Wall Station, Faceplate Engraved "Emergency"	7603E	24V AC/DC	1 7/8" (48mm)

Weights and Dimensions

Cat. No.	Approx. Net Weight (lb.)	Approx. Shipping Weight (lb.)
7603B	0.32	0.36
7603E	0.32	0.36



Wall Stations

CFA Series

The Edwards 7613 Wall Station provides convenient call activation. Calls are placed by simply pushing the locking-type push button on the front of the station. The 7613 has one button and one white "call placed" lamp. When a call is made, the lamp on the front of the unit illuminates, indicating that the call has been properly placed. Models available with faceplate engraved "Emergency."

Designed for either flush or surface mounting. Unit fits in a standard single-gang electrical box and plaster cover. For surface mounting, use a Wire-mold surface box. All boxes must have a minimum depth of 2 1/4" (57mm). Boxes and covers not supplied.

Features and Specifications

- Two maintained contacts, one momentary contact
- Stainless steel faceplate
- Heavy duty push button
- "Emergency" engraved units available
- White "call placed" lamp



Ordering Information

Description	Cat. No.	Operating Voltage	Depth in Wall Box	Replacement Lamp
Wall Station	7613	24V AC/DC	1 7/8" (48mm)	Industry Trade No. 509K ¹
Wall Station, Faceplate Engraved "Emergency"	7613E	24V AC/DC	1 7/8" (48mm)	Industry Trade No. 509K ¹

¹User supplied

Weights and Dimensions

Cat. No.	Approx. Net Weight (lb.)	Approx. Shipping Weight (lb.)	Dimensions		
			Height (in.)	Width (in.)	Depth (in.)
7613	0.44	0.48	4 1/2	2 3/4	1 7/8
7613E	0.44	0.48	4 1/2	2 3/4	1 7/8



Dome Stations

CFA Series

The Edwards 7633 Series Dome Stations are used to visually and audibly indicate the placement of calls from a connected pull station. Stations are available with 2 or 4 lamps; the domes are designed with barriers between the lamps to prevent visual interference of signals.

The 7633 mounts in a standard double gang box with a plaster cover and a minimum depth of 1 3/4" (44mm). Boxes and plaster covers not supplied.

Features and Specifications

- Available with 2 or 4 lamps
- Internal buzzer
- Stainless steel faceplate
- White dome



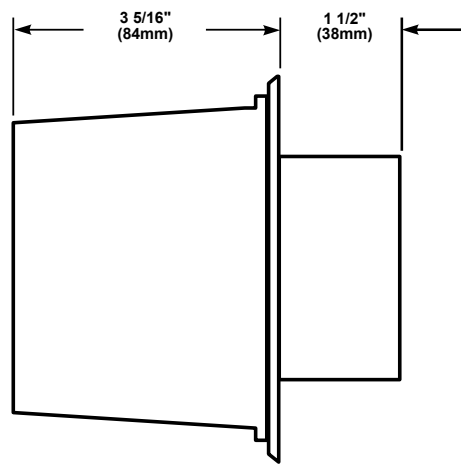
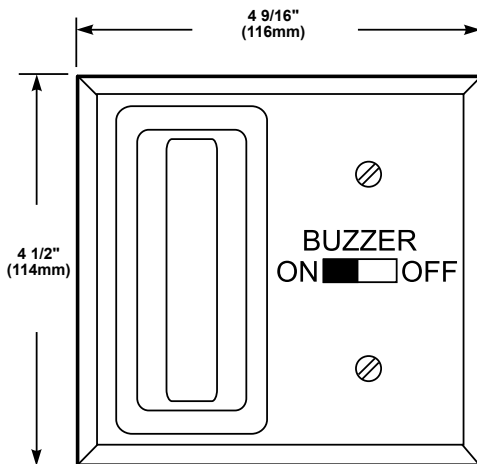
Ordering Information

Description	Cat. No.	Operating Voltage	VA Per Lamp	Lamps	Replacement		
					Dome	Lamp - Clear/Red	Buzzer
2 Lamp Station	7633-2	24V AC	4.0	1 clear, 1 red	P-047047-0006	Industry Trade No. 509K ¹ / P-036350-0001 (24V)	115-1G5
4 Lamp Station	7633-4	24V AC	5.0	2 clear, 2 red	P-047047-0006	Industry Trade No. 313 ¹ / P-036350-0001 (24V)	115-1G5

¹User supplied

Weights and Dimensions

Cat. No.	Approx. Net Weight (lb.)	Approx. Shipping Weight (lb.)
7633-2	0.69	0.89
7633-4	0.75	0.95



Dome Stations

CFA Series

The Edwards 7641 and 7641R Series Dome Stations are used to visually indicate the placement of calls from a connected pull station. Stations are available with 1, 2 or 4 lamps; the domes, available in white or red, are designed with barriers between the lamps to prevent visual interference of signals.

The 7641 and 7641R mount in a standard single or double gang box with a plaster cover and a minimum depth of 1 1/2" (38mm). Boxes and plaster covers not supplied.

Features and Specifications

- Available with 1, 2 or 4 lamps
- Stainless steel faceplate
- White or red dome



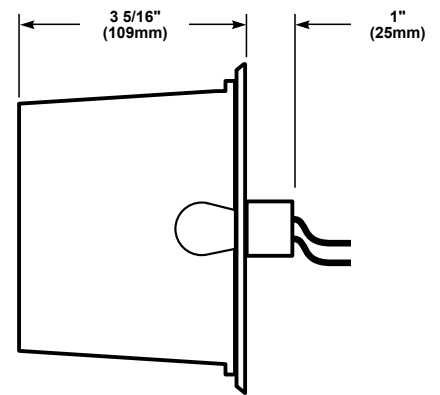
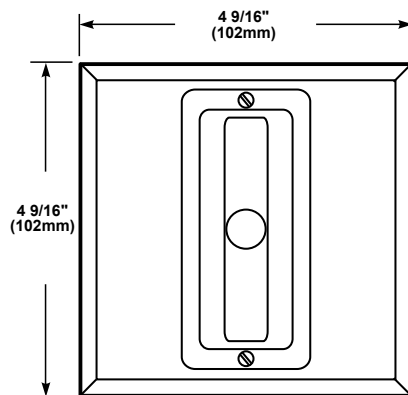
Ordering Information

Description	Cat. No.	Operating Voltage	VA Per Lamp	Dome Color	Replacement	
					Dome	Lamp - Clear/Red
1 Lamp Station white lamp	7641-1G5	24V AC	5.0	White	P-047047-0006	Industry Trade No. 313 ¹ / -
	7641-1N5	120V AC	6.0	White	P-047047-0006	Industry Trade No. 6S6 ¹ / -
2 Lamp Station 1 white, 1 red	7641-2G5	24V AC	5.0	White	P-047047-0006	Industry Trade No. 313 ¹ / P-036350-0001 (24V)
	7641-2N5	120V AC	6.0	White	P-047047-0006	Industry Trade No. 6S6 ¹ / P-008636-0001 (120V)
4 Lamp Station 2 white, 2 red	7641-4G5	24V AC	5.0	White	P-047047-0006	Industry Trade No. 313 ¹ / P-036350-0001 (24V)
1 Lamp Station white lamp	7641R-1G5	24V AC	5.0	Red	P-047047-0008	Industry Trade No. 313 ¹ / -
	7641R-1N5	120V AC	6.0	Red	P-047047-0008	Industry Trade No. 6S6 ¹ / -

¹User supplied

Weights and Dimensions

Cat. No.	Approx. Net Weight (lb.)	Approx. Shipping Weight (lb.)
7641-1G5	0.35	0.56
7641-1N5	0.35	0.56
7641-2G5	0.35	0.56
7641-2N5	0.35	0.56
7641-4G5	0.35	0.56
7641R-1G5	0.35	0.56
7641R-1N5	0.35	0.56





EDWARDS

CALL FOR ASSISTANCE 