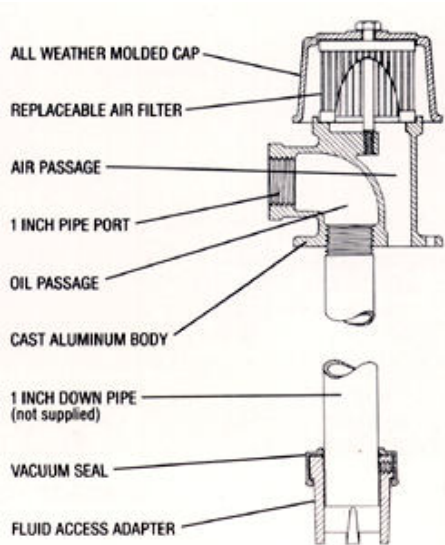


OILMISER™ Technology! Where Reliability Centered Maintenance Begins

A major problem for the reliability of hydraulic equipment is contamination in the hydraulic reservoirs. The main causes are easy to identify, ineffective air breathers & poor fluid handling procedures.



The **OILMISER™ FILLorDRAIN™** standardizes fluid handling procedures, at the very beginning of the contamination cycle. It closes the loop on airborne contamination from the drum to reservoir or from the reservoir to the drum.

The OILMISER FILLorDRAIN features a cast aluminum body, and comes in two basic designs.

1. The "tank mounted" version, has a bottom flange, with the conventional filler/breather (6 Hole, 2.88 inch bolt circle) mounting pattern.
2. The "drum mounted" version has a 2 inch NPT male pipe thread, and mounts directly into the 2 inch pipe bung on a standard oil drum.

The cast body has two separate internal cavities. One cavity, with a 1"NPT, 90 degree pipe port, is the oil passage.

The vertical cavity, is the air passage. A 5 micron replaceable air filter, prevents any unfiltered air from entering the reservoir, or drum whenever internal fluid levels change.

A 1 inch pipe cut to the proper length, and threaded into the bottom port of the cast body extends to the bottom of the reservoir or drum. This feature makes the **OILMISER™ FILLorDRAIN™** unique in the fluid handling industry.



The **OILMISER™ FILLorDRAIN™** can be ordered with an external sampling port, connected to a length of plastic sample tube which extends into the reservoir or oil drum.

By using the external sampling port on the **OILMISER™ FILLorDRAIN™**, an oil sample could be safely drawn under operating conditions, simply, quickly and safely, under operating conditions at regularly scheduled intervals.

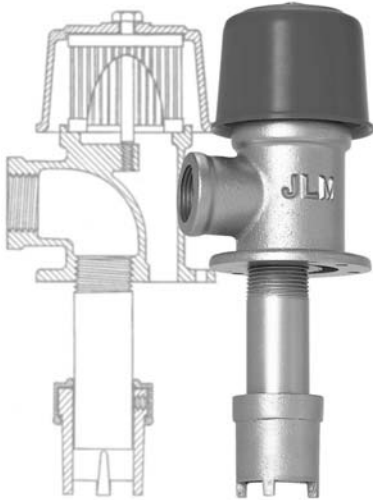
This eliminates many of the problems that can challenged the confidence level of the oil sample and the final analysis.



The **OILMISER™ FILLorDRAIN™**

INSTALLATION INSTRUCTIONS

New Installations

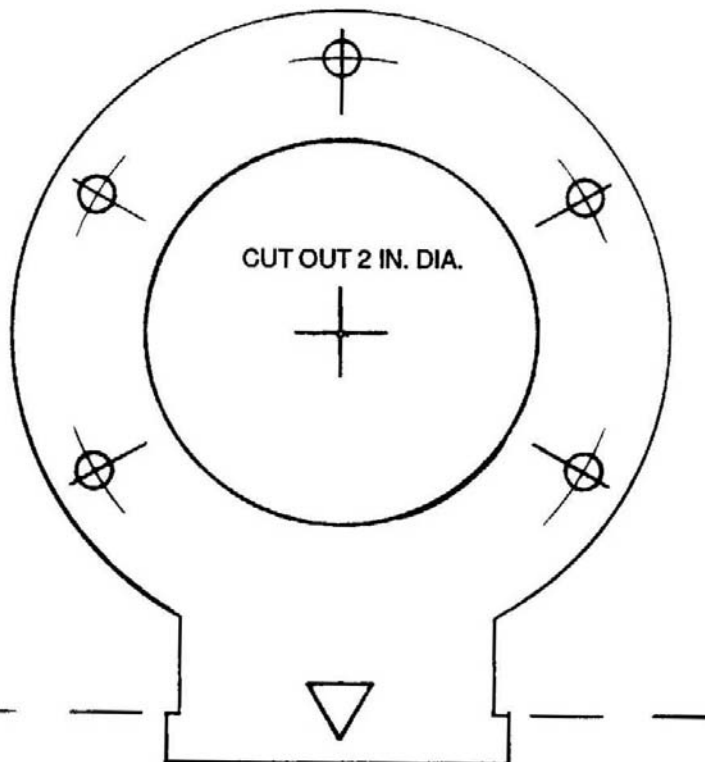


1. Position the template in the desired location on top of the reservoir and secure in place with adhesive tape.
2. Locate the five (5) mounting screw positions and the center hole position with a center punch.
3. With a 2 inch hole saw, cut out the center hole. Using a No. 25 (0.1495") tap drill and tap #10-24 NC.

Replacing an Existing Filler/breather

MOUNTING TEMPLATE
(ACTUAL SIZE)

2.88 IN. BOLT CIRCLE - DRILL #25 - TAP #10-24NC



4. Clean the immediate working area of all dirt and debris and remove the existing filler/breather, gaskets, and screen basket.
5. With a clean steel rule, probe to the bottom of the reservoir. Insure that no obstructions are directly below the access hole. Measure the distance from the top surface to the bottom. **Record this length.**
6. Cut a piece of 1 inch (sch. 40) pipe to the length recorded in step # 5. Clean and de-bur thoroughly and thread one end.
7. Using a compatible thread sealant, run the threaded end of the down pipe into the lower port of the **FILLorDRAIN™** and tighten.
8. Slide the Fluid Access Adapter onto the bottom end of the pipe. Adjust the distance between the **FILLorDRAIN™** flange and the bottom of the Fluid Access Adapter, to the length recorded in step # 5. Lock in place with the set screw.
9. With the gasket in place, position the **FILLorDRAIN™** assembly into the 2" hole in the reservoir. Secure with five #10-24 machine screws. Check that **full contact** between the **FILLorDRAIN™**, tank top, and gasket is established.