

# Through-beam ring sensors



## Features

- Wide range of sizes: ring diameters of 10, 15 and 20 mm
- Metal housings
- Separate evaluation unit
- Connection by means of S8 connector
- Degree of protection IP 63
- Adjustable sensitivity

## Benefits

- Static or dynamic operating principle
- Detection of metallic and non-metallic parts
- Extremely high resolution (parts from 1 mm diameter)
- Short response time
- Compact housings
- Easy installation



## Through-beam ring sensors

Contrinex through-beam ring sensors are available in three different sizes, and consequently suitable for a large range of applications. They feature a very robust, compact and universally mountable housing. They are used mainly in assembly technology for material-flow monitoring of small parts, such as screws, springs, plastic parts, etc, in transparent feeder tubes.

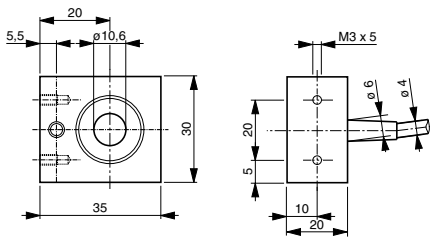
The devices consist of an amplifier and a connectable sensing head, which contains several through-beam sensors. Consequently, small metallic and non-metallic parts from Ø 1 mm can be detected.

The sensing heads can be combined with dynamically or statically operating amplifiers. The advantage of the dynamic operating principle is that it does not require re-adjusting when the feeder tube is soiled or scratched. On the other hand, static amplifiers also detect non-moving parts, i.e. can for instance be used for monitoring jams.

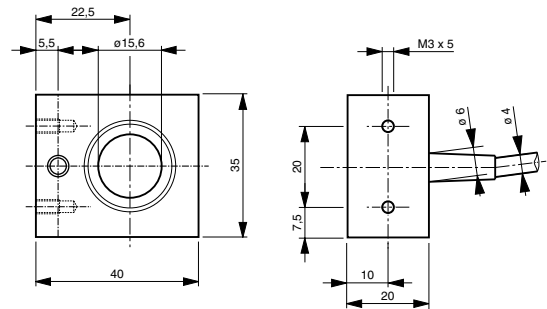
All amplifiers are equipped with sensitivity setting and adjustable pulse stretching.

<b>Technical data</b>
(at 20 °C/ 68 °F, 24 VDC)
Ring diameter
Resolution (steel ball)
Operating principle
Supply voltage range $U_B$
Output current
Short-circuit protection
Output voltage drop
No-load supply current
Response / release time
Pulse stretching
Ambient temperature range $T_A$
Degree of protection
Housing material
Connecting cable
<b>Types (bold: preferred types)</b>
Sensing head
PNP, N.O. (dark-on)
PNP, N.C. (light-on)
Connector type
PNP/NPN converter*

Ø 10 mm



Ø 15 mm



10,6 mm  
Ø 1 mm in center

15,6 mm  
Ø 2 mm in center

0 ... 50 °C (+32 ... +122 °F)  
IP 63  
Aluminum, black anodized  
500 mm

0 ... 50 °C (+32 ... +122 °F)  
IP 63  
Aluminum, black anodized  
500 mm

**LAS-0010-000**

**LAS-0015-000**

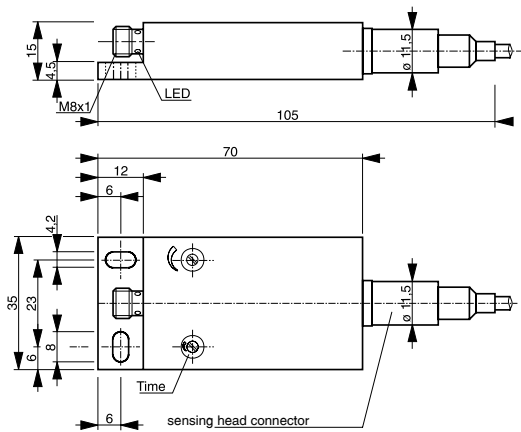
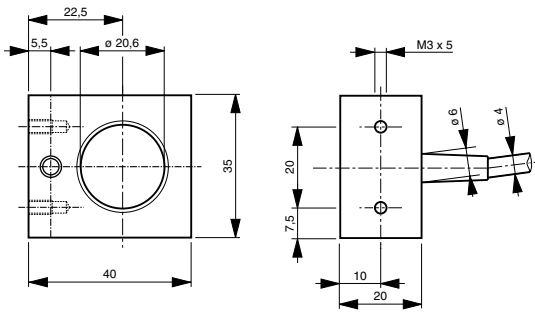
S8, 4p

S8, 4p

Ø 20 mm



Amplifiers



20,6 mm

Ø 3 mm in center

-	static	dynamic
-	12 ... 30 VDC	20 ... 35 VDC
-	200 mA	200 mA
-	-	Built-in
-	< 2 V	< 2 V
-	< 60 mA	< 60 mA
-	0.1 ms, see pulse stretching	0.1 ms, see pulse stretching
-	10 ... 300 ms	1 ... 150 ms
0 ... 50 °C (+32 ... +122 °F)	0 ... 50 °C (+32 ... +122 °F)	0 ... 50 °C (+32 ... +122 °F)
IP 63	IP 65	IP 65
Aluminum, black anodized	Aluminum, black anodized	Aluminum, black anodized
500 mm		

**LAS-0020-000**

**LAS-0000-003**

**LAS-0000-103**

**LAS-0000-004**

**LAS-0000-104**

S8, 4p

S8, 3p

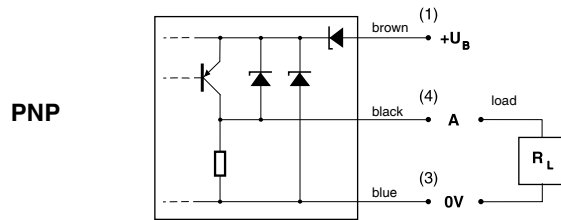
S8, 3p

ACO-0000-001

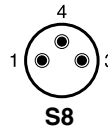
ACO-0000-001

## Amplifiers

### Wiring diagram



### Pin assignment (device)



## Europe

Austria Belgium Croatia Czech Republic  
Denmark Finland France Germany Great  
Britain Greece Hungary Ireland Italy  
Luxembourg Netherlands Norway Poland  
Portugal Romania Russian Federartion  
Slovakia Slovenia Spain Sweden  
Switzerland Turkey

## Africa

South Africa

## The Americas

Argentina Brazil Canada Chile Colombia  
Mexico United States Venezuela

## Asia

China India Indonesia Japan Korea  
Malaysia Pakistan Philippines Singapore  
Taiwan Thailand Vietnam

## Australasia

Australia New Zealand

## Middle East

Iran Israel Syria United Arab Emirates



## Contrinex

Contrinex has been manufacturing sensors for industrial use since 1972, and today employs over 500 people.

## Products

The strength of Contrinex lies in its wide range of highly innovative sensors with special characteristics:

- very small sizes
- very long operating distances
- resistance to extreme environmental conditions (extreme pressure, temperatures etc.)
- all-metal housings

## Quality

The high quality of Contrinex products is guaranteed by a well-organized ISO 9001:2000 certified management system.

## Customer service

Thanks to a worldwide presence, Contrinex ensures easy contact between customers and the manufacturer.

## Catalog

Please consult our catalog for clear and precise information concerning Contrinex's wide range of products:

- [Inductive, Photoelectric and Ultrasonic Proximity Switches](#)



These devices **must not be used** in applications where the **safety of people** is dependent on their functioning. Terms of delivery and rights to change design reserved.

Your sales agent:

